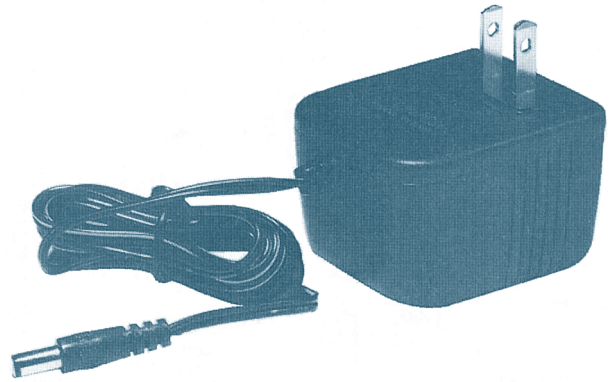


WallTran

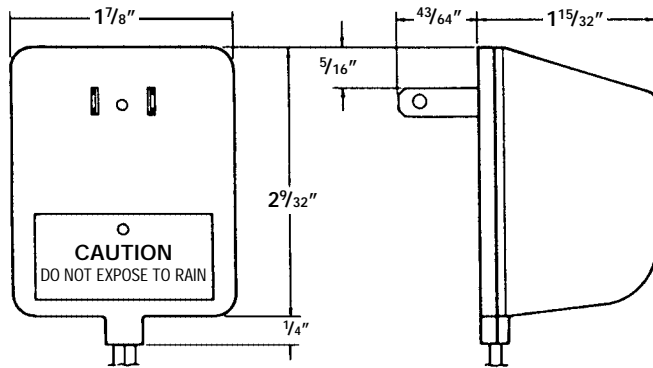
The AC/AC Wall Plug-In Transformers Series: WPT

- Provides safer, temper-proof low power source
- Reduces size and weight of main product
- Stock case color black, sides and front textured
- Supplied with PowerVolt trademark; your company trademark on special order
- Screw terminals standard; cord on special order
- Input 120V AC standard; optional 230V AC input

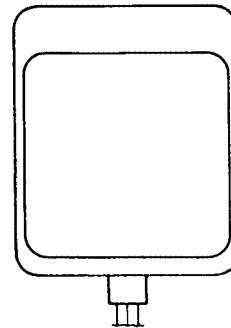


Part Number*	Case Type	Input Volts	Output			Part Number*	Case Type	Input Volts	Output		
			VA	Volts	Amps				VA	Volts	Amps
WPT-0506-X-Y	1 or 2	120	5	6	0.94	WPT-1006-X-Y	1 or 2	120	10	6	1.60
WPT-0509-X-Y	1 or 2	120	5	9	0.52	WPT-1009-X-Y	1 or 2	120	10	9	1.10
WPT-0510-X-Y	1 or 2	120	5	10	0.58	WPT-1010-X-Y	1 or 2	120	10	10	1.00
WPT-0512-X-Y	1 or 2	120	5	12	0.47	WPT-1012-X-Y	1 or 2	120	10	12	0.84
WPT-0516-X-Y	1 or 2	120	5	16	0.35	WPT-1016-X-Y	1 or 2	120	10	16	0.63
WPT-0520-X-Y	1 or 2	120	5	20	0.29	WPT-1020-X-Y	1 or 2	120	10	20	0.50
WPT-0524-X-Y	1 or 2	120	5	24	0.17	WPT-1024-X-Y	1 or 2	120	10	24	0.42

* In Part No. = X: Case Type, 1 or 2; Y: Cord Type



CASE TYPE 1; CORD OUTPUT



CASE TYPE 2
SCREW TERMINAL
OUTPUT

