

# 89T SERIES

# LOW COST INDUCTORS

## ELECTRICAL INFORMATION

### FEATURES

- AVAILABLE IN VERTICAL,LOWPROFILE AND KLIPMOUNT
- SMPS AVERAGING FILTER.
- CHARACTERIZED FOR GENERAL PUPOSE USE AND RIPPLE FILTERS.
- SINGLE-LAYER DESIGNS.
- CAN BE USED AS DIFFERENTIAL MODE INDUCTORS IN EMI FILTERS



### ELECTRICAL SPECIFICATIONS @25°C-Operating temperature -30°C TO +130°C

REFERENCE OPERATING VALUES						DESIGN CONTROL VALUES					
Low profile Part Number	Vertical Part Number	Inductance Typical (μH)	Idc amps	E <sub>Top</sub> (v-μsec)	Energy Storage (μj)	Inductance No dc±20% (μH)	20khz Test mv No dc	Dcr (Ω) Max	Coil Size Code	K.Mount Part Number	Lead Diameter (in)±.003
-	ICI89T-200VH	20	2.0	52	40	32.8	33	0.060	H	-	0.020
-	ICI89T-250VA	25	2.6	30	85	20.7	22	0.043	A	89T-250K1	0.020
ICI89T-500WB	ICI89T-500VB	50	2.6	50	169	45.7	45	0.071	B	89T-500K2	0.020
ICI89T-101WC	ICI89T-101VC	100	2.6	90	338	94.1	90	0.100	C	89T-101K3	0.020
-	ICI89T-350VB	35	2.6	55	118	28.4	36	0.037	B	89T-350K2	0.025
ICI89T-700WC	ICI89T-700VC	70	3.0	85	315	61.0	73	0.052	C	89T-700K3	0.025
ICI89T-145WD	ICI89T-145VD	145	3.0	140	653	141.8	140	0.087	D	89T-145K4	0.025
-	ICI89T-285VE	285	3.0	300	1283	264.1	340	0.140	E	89T-285K5	0.025
-	ICI89T-451VF	450	3.0	425	2025	436.3	500	0.200	F	-	0.025
ICI89T-100WD	ICI89T-101VD	100	3.6	130	648	90.7	110	0.045	D	89T-101K4	0.032
-	ICI89T-165VE	165	4.0	240	1320	152.0	260	0.070	E	89T-165K5	0.032
-	ICI89T-271VF	270	4.0	350	2160	263.9	400	0.100	F	-	0.032
-	ICI89T-400VC	40	4.0	70	320	37.9	57	0.027	C	89T-400K3	0.032
-	ICI89T-200VG	22	5.0	44	275	20.3	37	0.020	G	-	0.032
ICI89T-100WE	ICI89T-101VE	100	5.0	200	1250	90.7	180	0.034	E	89T-101K5	0.042
-	ICI89T-171VF	170	5.0	300	2125	159.7	310	0.050	F	-	0.042
ICI89T-550WD	ICI89T-550VD	55	5.0	100	688	54.9	88	0.023	D	89T-550K4	0.042
-	ICI89T-950VF	95	7.0	225	2328	96.0	200	0.025	F	-	0.051
ICI89T-500WE	ICI89T-550VE	55	7.0	150	1348	49.1	100	0.017	E	89T-550K5	0.051
-	ICI89T-550VF	55	10.0	175	2750	55.9	120	0.013	F	-	0.064

**89T SERIES**

**LOW COST INDUCTORS**

**ELECTRICAL INFORMATION**

---

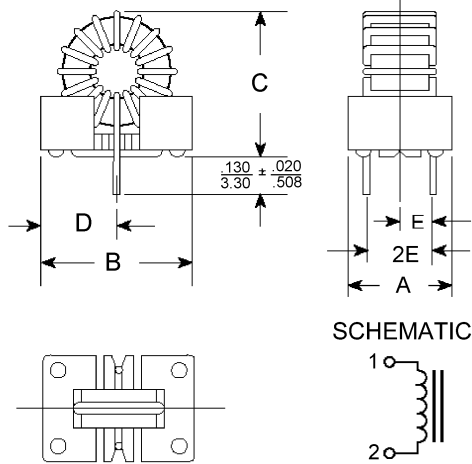
**MARKINGS AND DIMENSION**

# 89T SERIES

# LOW COST INDUCTORS

## ELECTRICAL INFORMATION

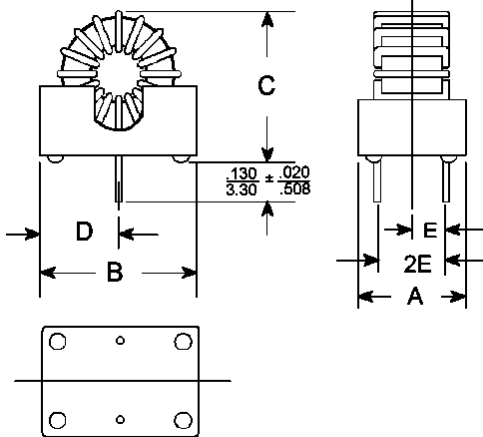
K.MOUNT PACKAGE



STANDARD PACKAGE	A	B	C	D	E
	NOM±.005/0.13	NOM.	NOM.	TYPICAL	TYPICAL
K1	.340	.580	.650	.29	.110
	8.64	14.73	16.57	7.37	2.79
K2	.450	.650	.700	.325	.150
	11.43	16.51	17.78	8.26	3.91
K3	.450	.830	.950	.415	.150
	11.73	21.03	24.13	10.54	.391
K4	.600	.950	1.10	.475	.225
	15.24	24.13	27.94	12.07	5.72
K5	.700	1.3	1.40	.625	.250
	17.78	33.02	35.56	15.88	6.35

DIMENSIONS:inches/mm

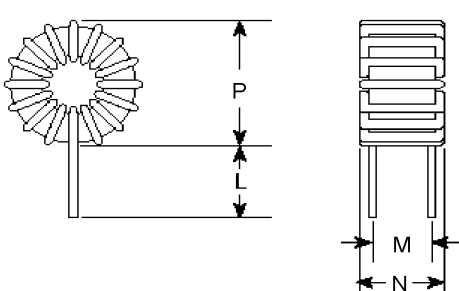
KM PACKAGE



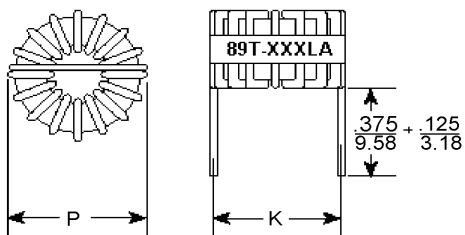
COIL SIZE	P (MAX)	N (MAX)	L +1.25/-0.25	M	K
A	0.55	0.25	0.375	0.180	-
	13.97	6.35	9.53	4.57	-
B	0.70	0.38	0.375	0.280	0.530±0.050
	17.78	9.65	9.53	7.11	13.46±1.27
C	0.85	0.41	0.375	0.280	0.720±0.050
	21.59	10.41	9.53	7.11	18.29±1.27
D	1.05	0.55	0.375	0.400	0.840±0.020
	26.27	13.97	9.53	10.16	21.24±0.51
E	1.40	0.700	0.375	0.500	1.10±0.100
	35.56	17.78	9.53	12.7	25.65±2.56
F	1.65	0.700	0.375	0.500	-
	41.91	17.78	9.53	12.7	-
G	0.85	0.33	0.875	-	0.730±0.05
	21.59	8.38	22.23	-	18.29±1.27
H	0.64	0.28	0.875	-	0.530±0.05
	16.26	7.11	22.23	-	13.46±1.27

DIMENSIONS:inches/mm

VERTICAL PACKAGE



LOW PROFILE PACKAGE



**89T SERIES**

**LOW COST INDUCTORS**

**ELECTRICAL INFORMATION**

---