

International Coil, Inc.

ICI82T Series Through Hole Current Sense Transformer & Inductors



FEATURES

1. Designed for Switching Power Supply Applications
2. Frequency Range from 20Khz to 200Khz
3. Recognized by UL 1950

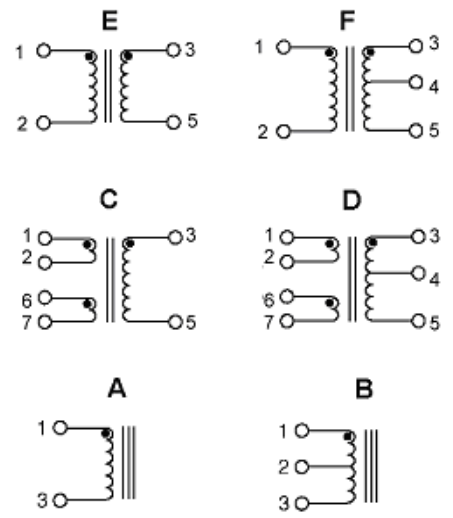
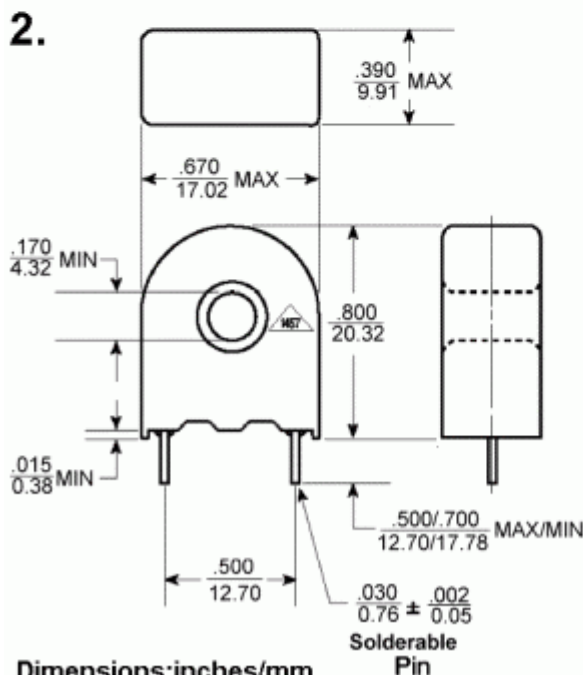
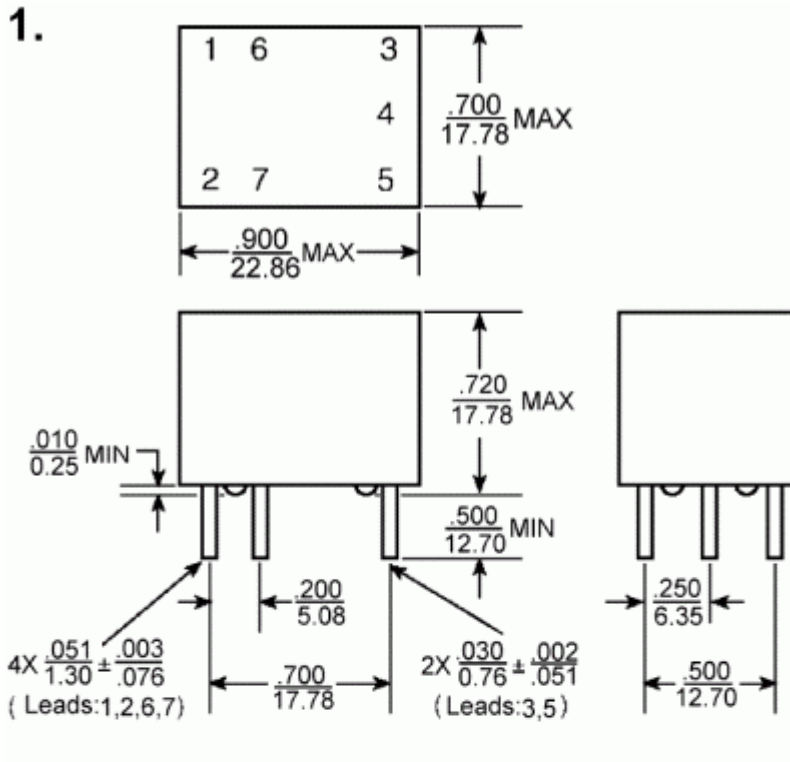
TEST CONDITIONS

Inductance.....10Khz/500mV

Part Number	Schem Figure	Turns NS	Secondary Inductance mH (MIN)	Secondary Inductance Test Voltage 15.75Khz	RS(MAX)	RT(NOM)	Primary Unipolar AMP rating MAX	Primary Bipolar AMP rating MAX
ICI82T502A	A	50	5.0	0.5	0.7	50	150	300
ICI82T203A	A	100	20.0	1.0	1.40	100	300	600
ICI82T803A	A	200	80.0	2.0	4.50	200	600	1200
ICI82T502B	B	50CT	5.0	0.5	0.7	50	150	300
ICI82T203B	B	100CT	20.0	1.0	1.40	100	300	600
ICI82T803B	B	200CT	80.0	2.0	4.50	200	600	1200
ICI82T184B	B	300CT	180.0	3.0	11.0	300	900	1800
ICI82T203C	C	100	20.0	1.0	1.40	100	300	600
ICI82T803C	C	200	80.0	2.0	4.50	200	600	1200
ICI82T502D	D	50CT	5.0	0.5	0.7	50	150	300
ICI82T203D	D	100CT	20.0	1.0	1.40	100	300	600
ICI82T803D	D	200CT	80.0	2.0	4.50	200	600	1200
ICI82T502E	E	50	5.0	0.5	0.7	50	150	300
ICI82T203E	E	100	20.0	1.0	1.4	100	300	600
ICI82T803E	E	200	80.0	2.0	4.50	200	600	1200
ICI82T502F	F	50CT	5.0	0.5	0.7	50	150	300
ICI82T203F	F	100CT	20.0	1.0	1.40	100	300	600
ICI82T803F	F	200CT	80.0	2.0	4.50	200	600	1200
ICI82T184F	F	300CT	180.0	3.0	11.0	300	900	1800

ELECTRICAL SPECIFICATIONS at 25C Operating Temperature -30C to +130C

MARKINGS AND DIMENSIONS



Dimensions: inches/mm
 Unless otherwise specified, all tolerances are $\pm .005/\pm 0.13$