

International Coil, Inc.

ICI76T Self-Leaded SMT Common Mode Choke



FEATURES

1. Solutions Based on Impedance, Size and Current.
2. Designed for DC/DC Converters
3. Wide Variety of Inductor Sizes and Current Ratings available
4. Dielectric Strength: 500vrms

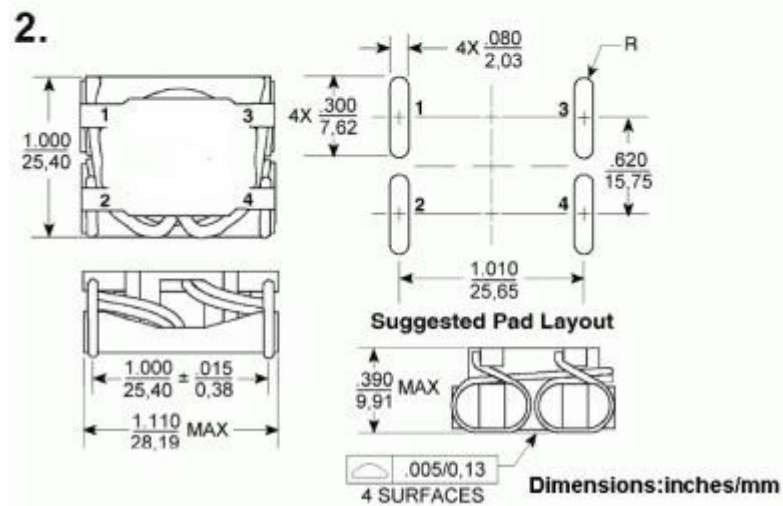
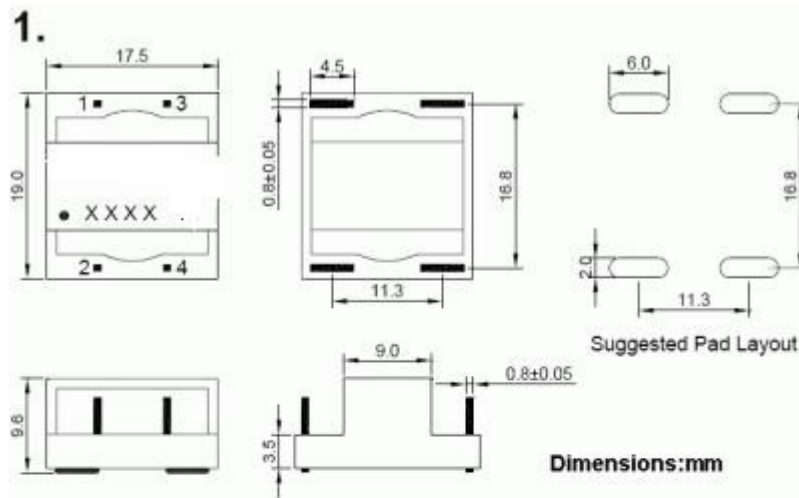
TEST CONDITIONS:

- Inductance.....10KHz/200mV
- Leakage Inductance.....100KHz/1V
- Interwinding Capacitance.....100KHz/1V

ELECTRICAL SPECIFICATIONS at 25C Operating Temperature 0C to 70C

Part Number	Rated Current for 55C Rise (Amps)	Inductance (mHy+/-25%)	DCR (max)	Package
ICI76T-159S3	2.80	1.590	80	S3
ICI76T-132S3	3.30	1.320	60	S3
ICI76T-221S3	3.30	0.225	60	S3
ICI76T-768S3	4.70	0.760	40	S3
ICI76T-591S3	5.60	0.590	20	S3
ICI76T-531I6	7.20	0.530	16	16

Markings and Dimensions



Unless otherwise specified,
all tolerances are ± 0.25 (mm) , $\pm 0.01/\pm 0.25$ (inches/mm)

Please refer to Diagram #1 for S3 Package and Diagram #2 for I6 Package.