



Main no. 800.962.0380  
Fax no. 860.295.0670

[Request for Quote](#)

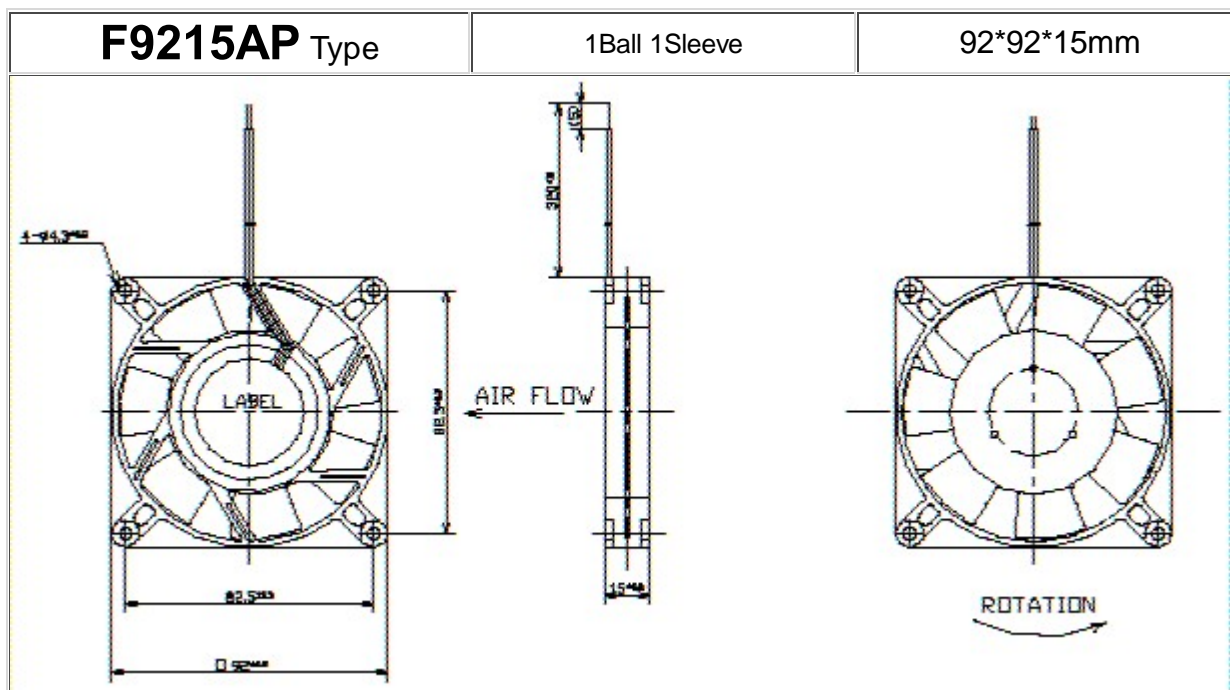
[Local Sales Offices Nationwide](#)

**Shicoh Engineering**  
**Axial Flow 92mm TYPE: 92mm x 92mm**

[Return to Table of Contents](#)  
[Return to General Specifications](#)

[Return](#)

Contact Pik Power for more information.



Model	F9215AP-12LCW	F9215AP-24JCW			
Rated Voltage (DCV)	12.0	24.0			
Operating Voltage Range (DCV)	10.2~13.8	20.4~27.6			
Rated Current (A)	0.2	0.1			
Rated Input (W)	2.4	2.4			
Max Air Volume (m <sup>3</sup> /min)	0.7	0.5			
Max Static Pressure (Pa)	3.3	2.3			
A-weighted Noise Level (dB)	32 (1m)	32 (1m)			
Rotational Freq. (min <sup>-1</sup> )	3,000	2,500			
Life expectancy (Hour)	50,000 (Room temperature/humidity)				

Catalogs are in Adobe's PDF (portable document file), a cross platform format. Files are viewed with Adobe's Acrobat Reader. If you need the free reader, click [here](#).