



Main no. 800.962.0380
 Fax no. 860.295.0670

[Request for Quote](#)

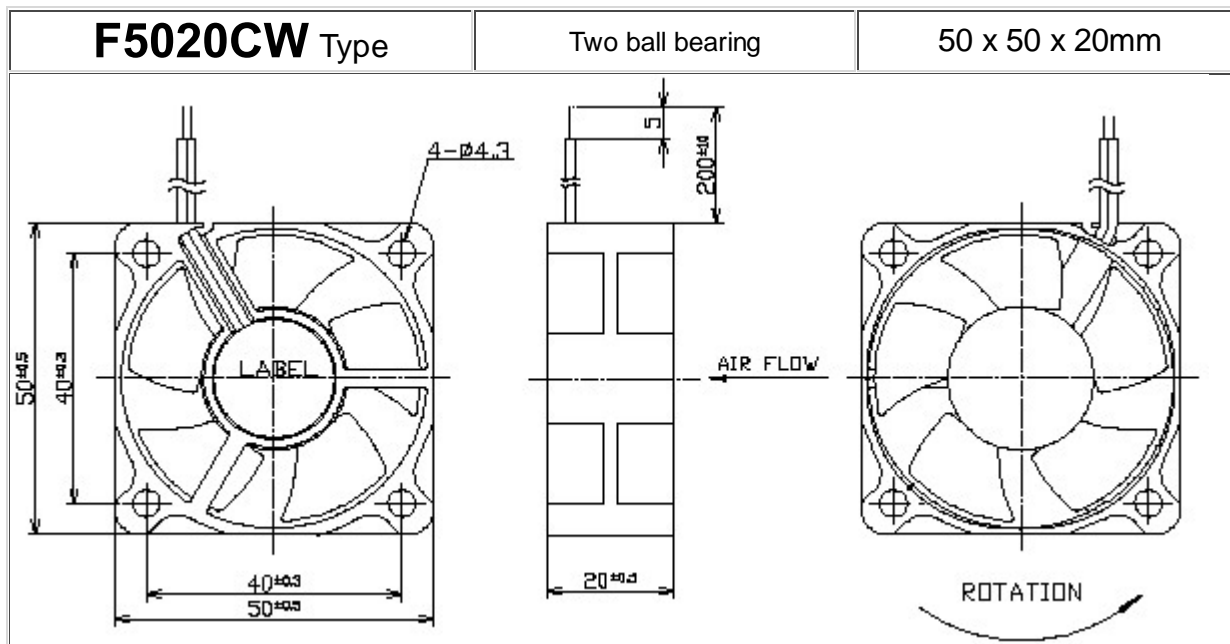
[Local Sales Offices Nationwide](#)

Shicoh Engineering
Axial Flow 50mm TYPE: 50mm x 50mm

[Return to Table of Contents](#)
[Return to General Specifications](#)

[Return](#)

Contact Pik Power for more information.



Model	F5020CW-12QCV			
Rated Voltage (DCV)	12			
Operating Voltage Range (DCV)	10.2~13.8			
Rated Current (A)	0.09			
Rated Input (W)	1.08			
Max Air Volume (m ³ /min) / (cfm)	0.37			
Max Static Pressure (Pa)	33			
A-weighted Noise Level (dB) (1m)	36			
Rotational Freq. (min ⁻¹)	5,000			
Life expectancy (Hour)	80,000 (Room temperature/humidity)			

Catalogs are in Adobe's PDF (portable document file), a cross platform format. Files are viewed with Adobe's Acrobat Reader. If you need the free reader, [click here](#).

PIK Power represented by: Precision Sales & Associates

Created & maintained by [og-images](#).