



Main no. 800.962.0380
 Fax no. 860 295.0670

[Request for Quote](#)

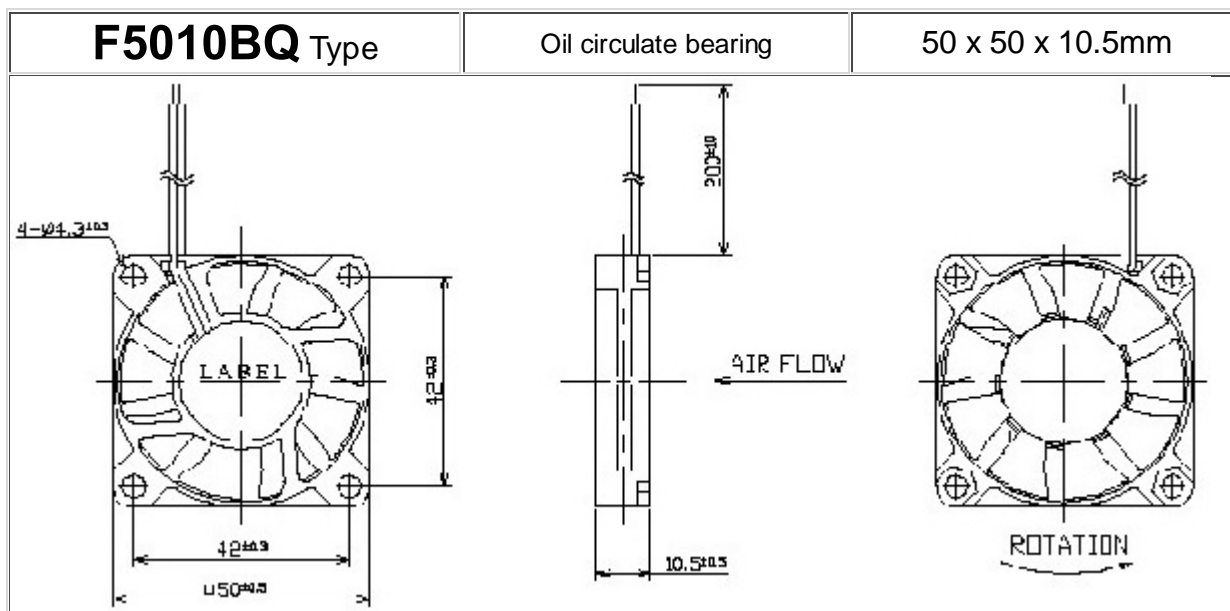
[Local Sales Offices Nationwide](#)

Shicoh Engineering
Axial Flow 50mm TYPE: 50mm x 50mm

[Return to Table of Contents](#)
[Return to General Specifications](#)

[Return](#)

Contact Pik Power for more information.



Model	F5010BQ-12SCV			
Rated Voltage (DCV)	12			
Operating Voltage Range (DCV)	10.2~13.8			
Rated Current (A)	0.23			
Rated Input (W)	2.76			
Max Air Volume (m ³ /min) / (cfm)	0.33			
Max Static Pressure (Pa)	45			
A-weighted Noise Level (dB)	31 (1m)			
Rotational Freq. (min ⁻¹)	6,300			
Life expectancy (Hour)	20,000 (Room temperature/humidity)			

Catalogs are in Adobe's PDF (portable document file), a cross platform format. Files are viewed with Adobe's Acrobat Reader. If you need the free reader, click [here](#).

PIK Power represented by: Precision Sales & Associates

Created & maintained by og-images.