



Main no. 800.962.0380
Fax no. 860 295.0670

[Request for Quote](#)

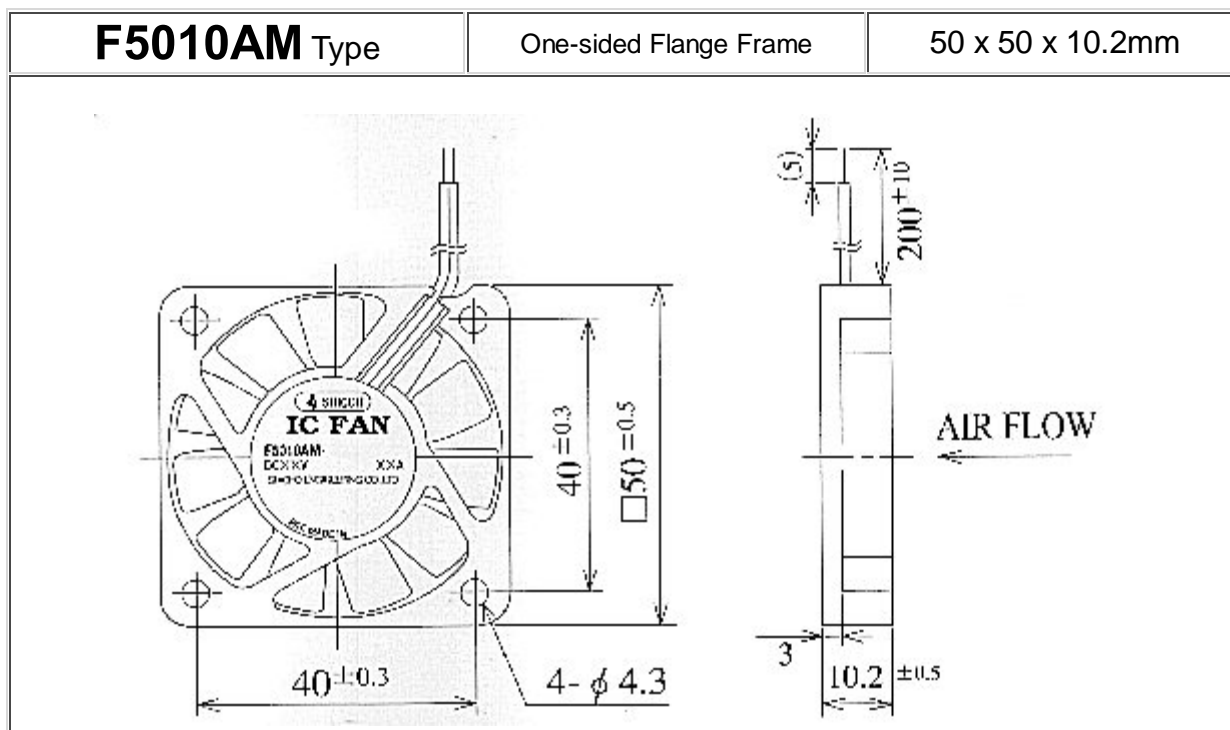
[Local Sales Offices Nationwide](#)

Shicoh Engineering
Axial Flow 50mm TYPE: 50mm x 50mm

[Return to Table of Contents](#)
[Return to General Specifications](#)

[Return](#)

Contact Pik Power for more information.



Model	F5010AM-05PCV	F5010AM-12PCV	F5010AM-12RCV		
Rated Voltage (DCV)	5	12	12		
Operating Voltage Range (DCV)	4.5~5.5	10.2~13.8	10.2~13.8		
Rated Current (A)	0.3	0.11	0.15		
Rated Input (W)	1.5	1.32	1.8		
Max Air Volume (m ³ /min) / (cfm)	0.25 / 8.8	0.24 / 8.5	0.29 / 10.2		
Max Static Pressure (Pa)	28.4	26.5	33.3		
A-weighted Noise Level (dB)	33 (1m)	31 (1m)	36 (1m)		
Rotational Freq. (min ⁻¹)	4,400	4,400	5,400		
Life expectancy (Hour)	50,000 (Room temperature/humidity)				

Catalogs are in Adobe's PDF (portable document file), a cross platform format. Files are viewed with Adobe's Acrobat Reader. If you need the free reader, click [here](#).

