



Main no. 800.962.0380  
 Fax no. 860.295.0670

[Request for Quote](#)

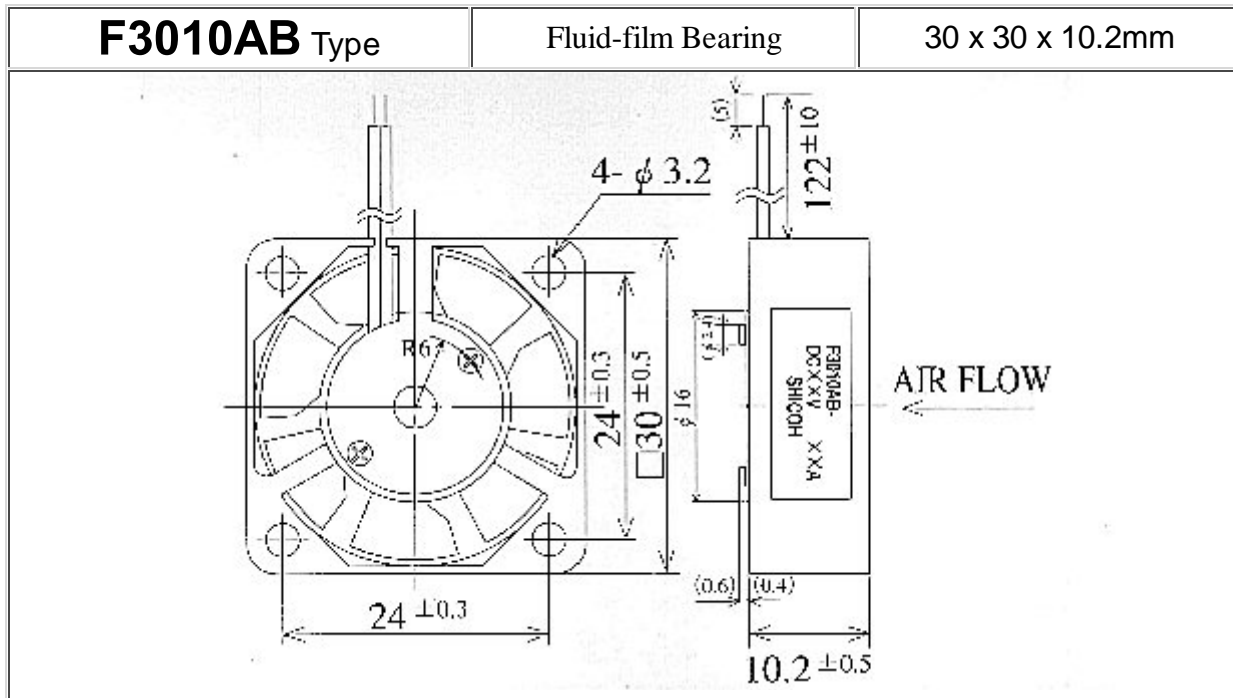
[Local Sales Offices Nationwide](#)

**Shicoh Engineering**  
**Axial Flow 30mm TYPE: 30mm x 30mm**

[Return to Table of Contents](#)  
[Return to General Specifications](#)

[Return](#)

Contact Pik Power for more information.



<b>Model</b>	F3010AB-12UCV				
Rated Voltage (DCV)	12				
Operating Voltage Range (DCV)	10.2~13.8				
Rated Current (A)	0.18				
Rated Input (W)	2.16				
Max Air Volume (m <sup>3</sup> /min) / (cfm)	0.09 / 3.2				
Max Static Pressure (Pa)	34.3				
A-weighted Noise Level (dB) (1m)	30				
Rotational Freq. (min <sup>-1</sup> )	8,300				
Life expectancy (Hour)	50,000 (Room temperature/humidity)				

Catalogs are in Adobe's PDF (portable document file), a cross platform format. Files are viewed with Adobe's Acrobat Reader. If you need the free reader, [click here](#).

