



Main no. 800.962.0380
 Fax no. 860 295.0670

[Request for Quote](#)

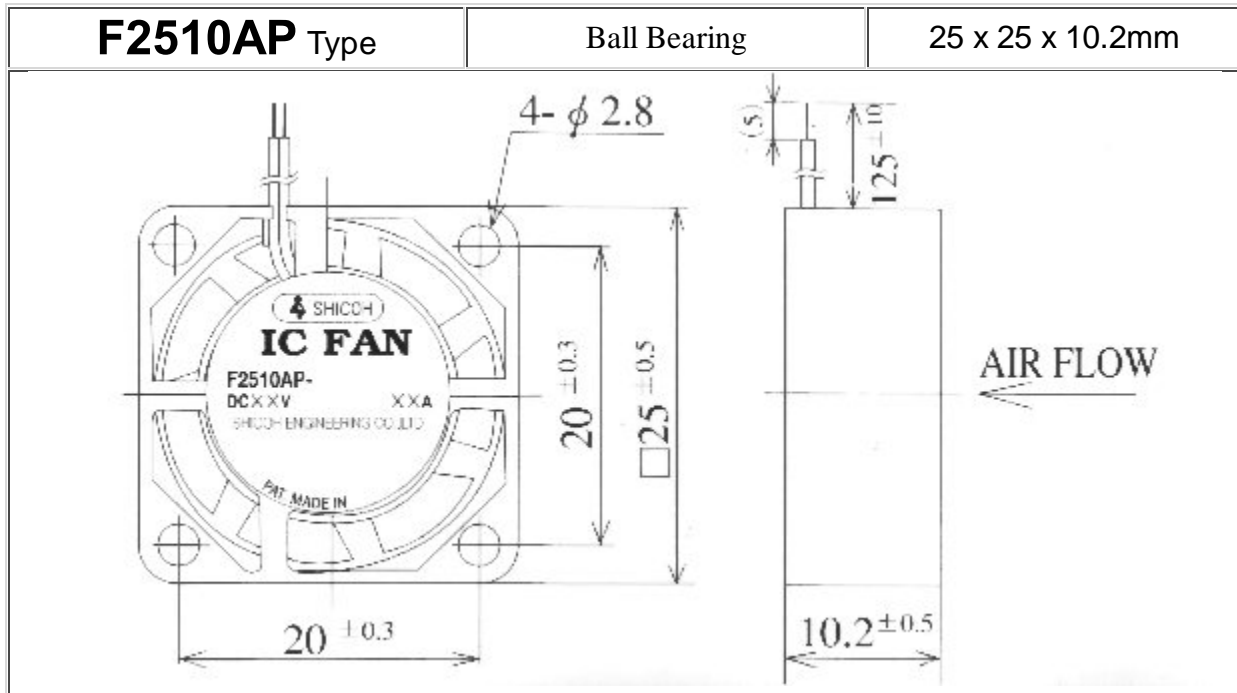
[Local Sales Offices Nationwide](#)

Shicoh Engineering
Axial Flow 25mm TYPE: 25mm x 25mm

[Return to Table of Contents](#)
[Return to General Specifications](#)

[Return](#)

Contact Pik Power for more information.



Model	F2510AP-05SCW (2510-5L)	F2510AP-05VCV (2510-5)	F2510AP-12VCW (2510-12)		
Rated Voltage (DCV)	5	5	12		
Operating Voltage Range (DCV)	4.5~5.5	4.5~5.5	10.2~13.8		
Rated Current (A)	0.09	0.12	0.09		
Rated Input (W)	0.45	0.6	1.08		
Max Air Volume (m ³ /min) / (cfm)	0.025 / 0.9	0.038 / 1.3	0.038 / 1.3		
Max Static Pressure (Pa)	12.7	20.6	20.6		
A-weighted Noise Level (dB)	22 (1m)	25 (1m)	25 (1m)		
Rotational Freq. (min ⁻¹)	6,000	8,500	8,500		
Life expectancy (Hour)	50,000 (Room temperature/humidity)				

Catalogs are in Adobe's PDF (portable document file), a cross platform format. Files are viewed with Adobe's Acrobat Reader. If you need the free reader, click [here](#).