



Main no. 800.962.0380  
 Fax no. 860.295.0670

[Request for Quote](#)

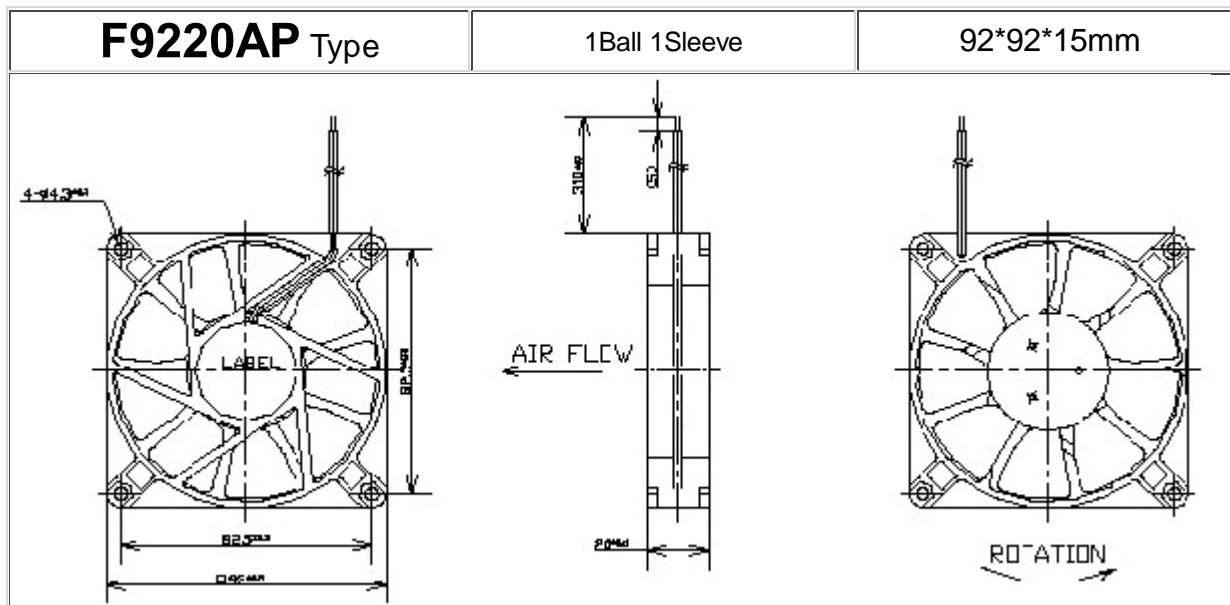
[Local Sales Offices Nationwide](#)

**Shicoh Engineering**  
**Axial Flow 92mm TYPE: 92mm x 92mm**

[Return to Table of Contents](#)  
[Return to General Specifications](#)

[Return](#)

Contact Pik Power for more information.



| Model                                 | F9220AP-12HCW                      | F9220AP-24HCW |  |  |  |
|---------------------------------------|------------------------------------|---------------|--|--|--|
| Rated Voltage (DCV)                   | 12.0                               | 24.0          |  |  |  |
| Operating Voltage Range (DCV)         | 10.2~13.8                          | 20.4~27.6     |  |  |  |
| Rated Current (A)                     | 0.23                               | 0.13          |  |  |  |
| Rated Input (W)                       | 2.76                               | 3.12          |  |  |  |
| Max Air Volume (m <sup>3</sup> /min)  | 0.8                                | 0.8           |  |  |  |
| Max Static Pressure (Pa)              | 1.8                                | 1.8           |  |  |  |
| A-weighted Noise Level (dB) (1m)      | 30                                 | 30            |  |  |  |
| Rotational Freq. (min <sup>-1</sup> ) | 2,200                              | 2,200         |  |  |  |
| Life expectancy (Hour)                | 50,000 (Room temperature/humidity) |               |  |  |  |

Catalogs are in Adobe's PDF (portable document file), a cross platform format. Files are viewed with Adobe's Acrobat Reader. If you need the free reader, click [here](#).

PIK Power represented by: Precision Sales & Associates

Created & maintained by [og-images](#).