



Main no. 800.962.0380  
Fax no. 860.295.0670

[Request for Quote](#)

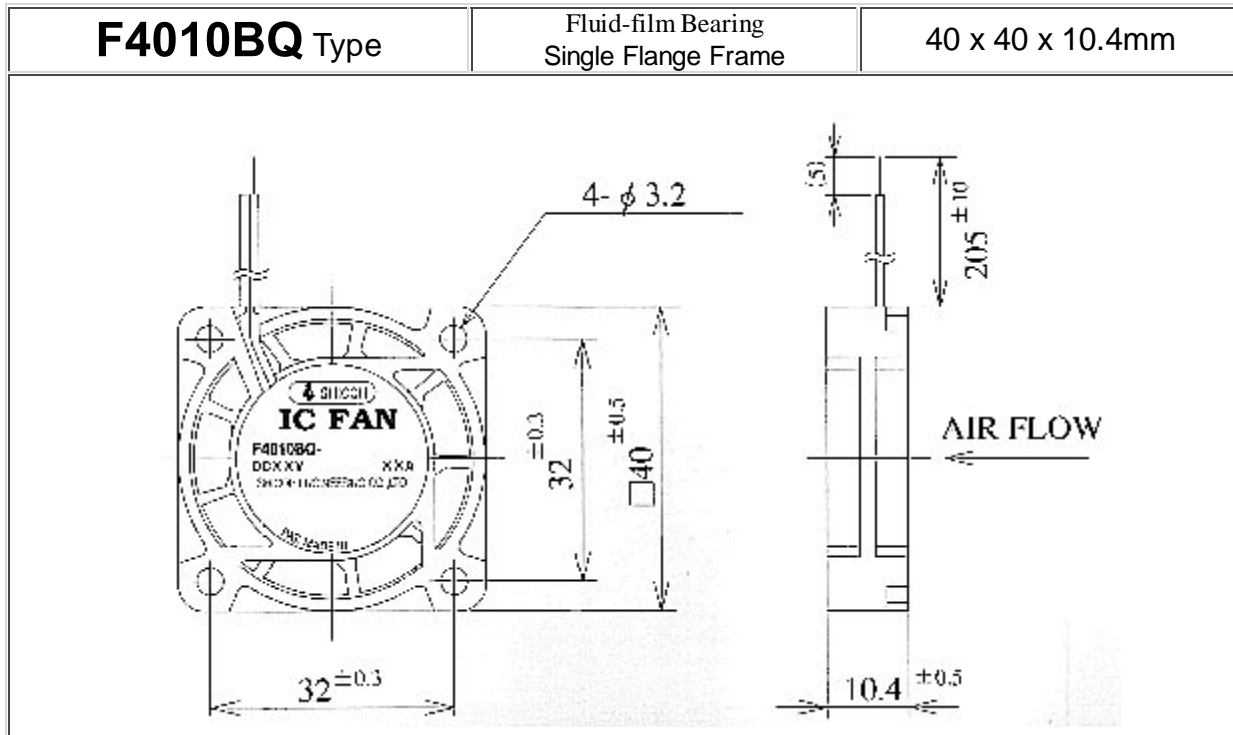
[Local Sales Offices Nationwide](#)

**Shicoh Engineering**  
**Axial Flow 40mm TYPE: 40mm x 40mm**

[Return to Table of Contents](#)  
[Return to General Specifications](#)

[Return](#)

Contact Pik Power for more information.



Model	F4010BQ-05QCV	F4010BQ-12QCV			
Rated Voltage (DCV)	5	12			
Operating Voltage Range (DCV)	4.5~5.5	10.2~13.8			
Rated Current (A)	0.2	0.1			
Rated Input (W)	1.0	1.2			
Max Air Volume (m <sup>3</sup> /min) / (cfm)	0.12 / 4.2	0.12 / 4.2			
Max Static Pressure (Pa)	29.4	31.4			
A-weighted Noise Level (dB) (1m)	26	27			
Rotational Freq. (min <sup>-1</sup> )	4,900	5,100			
Life expectancy (Hour)	20,000 (Room temperature/humidity)				

Catalogs are in Adobe's PDF (portable document file), a cross platform format. Files are viewed with Adobe's Acrobat Reader. If you need the free reader, click [here](#).

