



Main no. 800.962.0380
Fax no. 860 295.0670

[Request for Quote](#)

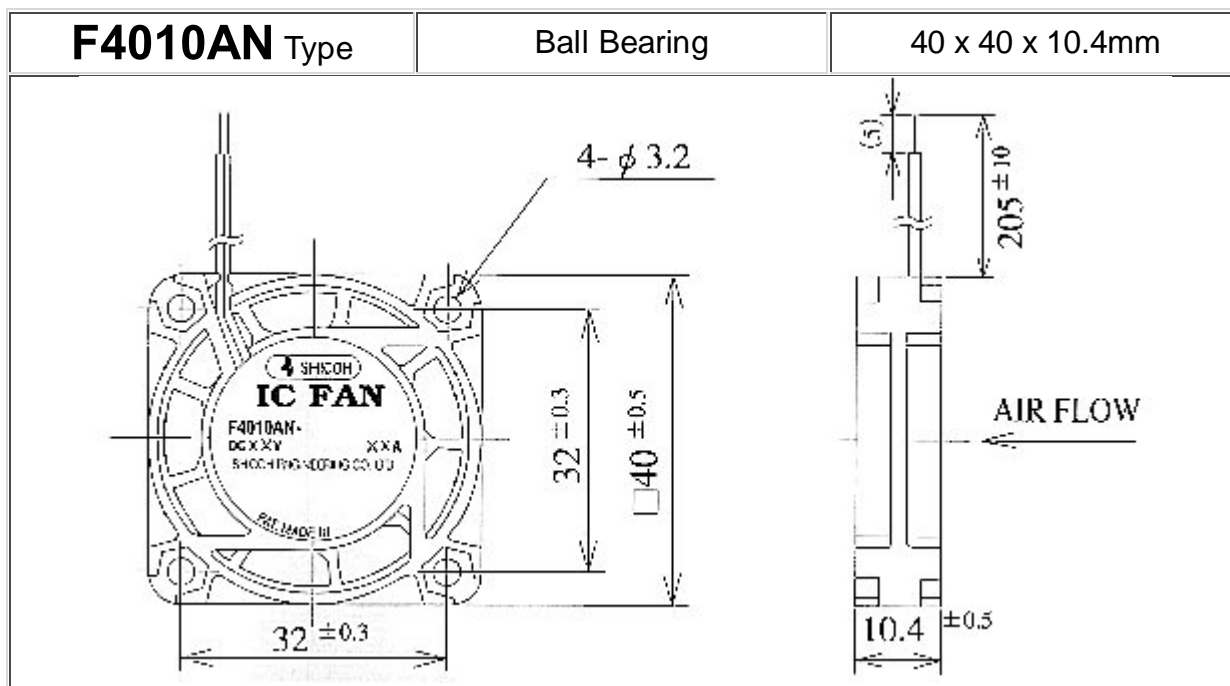
[Local Sales Offices Nationwide](#)

Shicoh Engineering
Axial Flow 40mm TYPE: 40mm x 40mm

[Return to Table of Contents](#)
[Return to General Specifications](#)

[Return](#)

Contact Pik Power for more information.



Model	F4010AN-05QCW (0410N-5)	F4010AN-12PCW (0410N-12L)	F4010AN-12QCW (0410N-12)	F4010AN-12SCV (0410N-12HV)	
Rated Voltage (DCV)	5	12	12	12	
Operating Voltage Range (DCV)	4.5~5.5	10.2~13.8	10.2~13.8	10.2~13.8	
Rated Current (A)	0.19	0.08	0.09	0.11	
Rated Input (W)	0.95	0.96	1.08	1.32	
Max Air Volume (m ³ /min) / (cfm)	0.12 / 4.2	0.09 / 3.2	0.12 / 4.2	0.13 / 4.6	
Max Static Pressure (Pa)	29.4	22.5	31.4	39.2	
A-weighted Noise Level (dB) (1m)	25 (1m)	23 (1m)	27 (1m)	35 (1m)	
Rotational Freq. (min ⁻¹)	4,800	4,400	5,100	6,500	
Life expectancy (Hour)	50,000 (Room temperature/humidity)				

Catalogs are in Adobe's PDF (portable document file), a cross platform format. Files are viewed with Adobe's Acrobat Reader. If you need the free reader, [click here](#).

