

2 Phase Hybrid Stepping Motor

43D SERIES

42mm (NEMA17)



1.8°

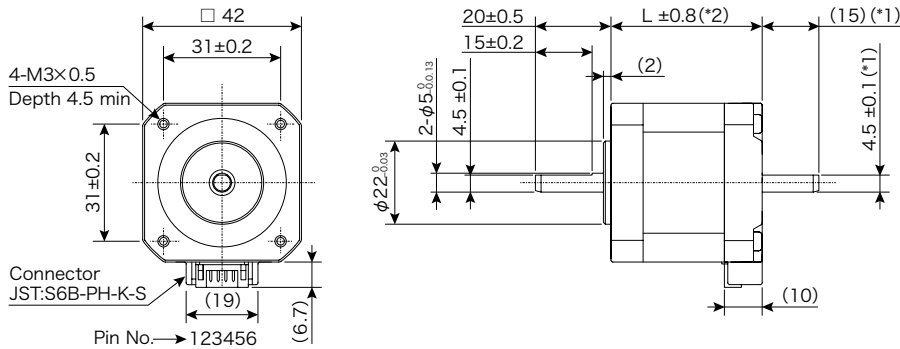
Unipolar

SPECIFICATIONS

MODEL	STEP ANGLE	VOLTAGE	CURRENT	RESISTANCE	INDUCTANCE	HOLDING TORQUE	ROTOR INERTIA	NUMBER OF PINS	MASS	LENGTH
	deg.	V	A/ø	Ω /ø	mH/ø	mN-m	g-cm ²	Pin	g	mm
SST43D104X	1.8	9.6	0.4	24.0	16.0	215	33	6	230	34
SST43D106X	1.8	6.9	0.6	11.5	8.1	226	33	6	230	34
SST43D108X	1.8	5.1	0.8	6.4	4.9	233	33	6	230	34
SST43D110X	1.8	4.2	1.0	4.2	3.3	238	33	6	230	34
SST43D112X	1.8	3.2	1.2	2.7	2.3	237	33	6	230	34
SST43D115X	1.8	2.7	1.5	1.8	1.5	235	33	6	230	34
SST43D204X	1.8	12.0	0.4	30.0	24.0	314	56	6	290	40
SST43D206X	1.8	7.2	0.6	12.0	11.8	322	56	6	290	40
SST43D208X	1.8	5.5	0.8	6.9	7.1	321	56	6	290	40
SST43D210X	1.8	4.8	1.0	4.8	4.8	338	56	6	290	40
SST43D212X	1.8	4.0	1.2	3.3	3.6	341	56	6	290	40
SST43D214X	1.8	3.2	1.4	2.3	2.5	329	56	6	290	40
SST43D216X	1.8	3.0	1.6	1.9	1.8	313	56	6	290	40

Final Number 0:Single Shaft 1:Double Shaft

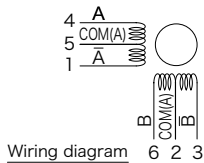
DIMENSIONS



Mating connector

Housing	JST:PHR-6
Contact	JST:SPH-002T-P0.5S

*1 Dimensions apply to double shaft models.
*2 Available motor length 31mm~61.5mm



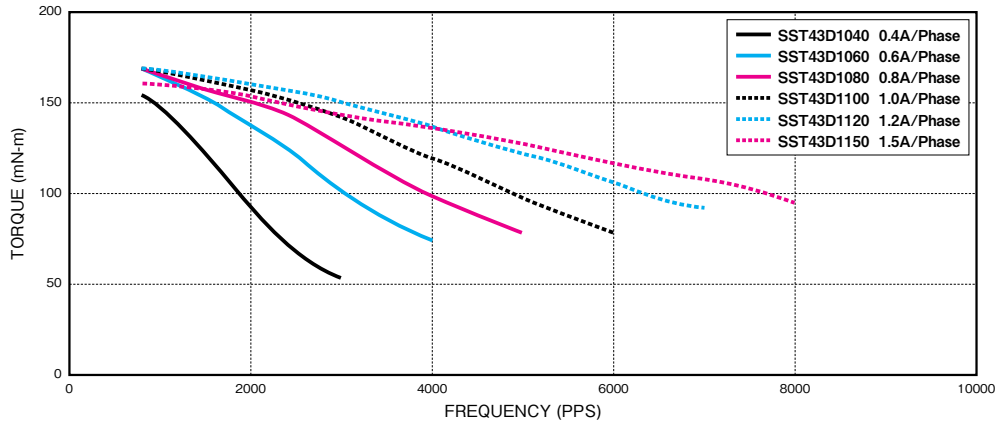
Lead wire type is available.

TORQUE RANGE

STEP ANGLE	SIZE		WINDINGS	MODEL	TORQUE (mN-m)*FREQUENCY at 1,000pps															
					0	50	100	200	300	400	600	800	1000	1500	2000					
1.8°	42mm	NEMA17	Unipolar	43D1	[Redacted]															
				43D2	[Redacted]															

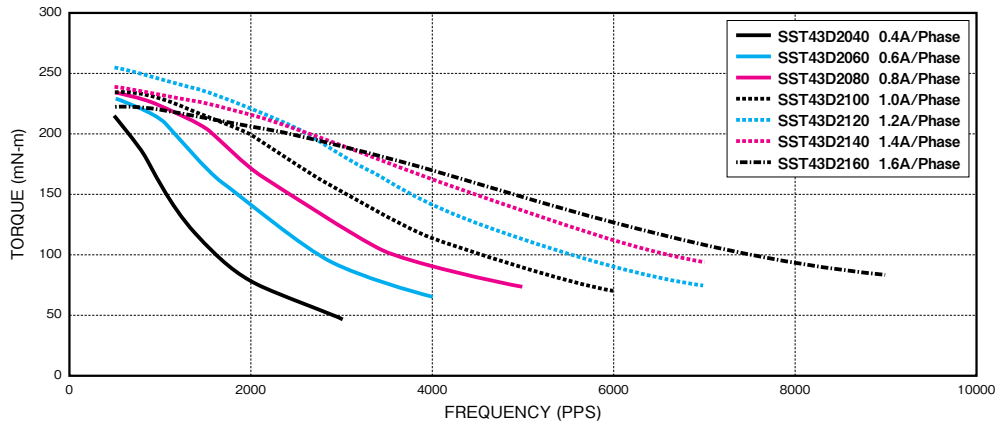
PULL OUT TORQUE CURVE

SST43D1XXX



DRIVER Chopper
 SUPPLY VOLTAGE DC24V
 EXCITING MODE = 2 Phase
 MOUNTING with rubber damper

SST43D2XXX



DRIVER Chopper
 SUPPLY VOLTAGE DC24V
 EXCITING MODE = 2 Phase
 MOUNTING with rubber damper

i Modified shaft, custom winding and other modifications are available. Please feel free to contact sales office or sales agent.

! Operate the motor keeping the motor surface temperature at 100 deg. C or lower.