



TP Series

TEXCELL

FEATURES

The Texcell TP series relay is a PCB-mount, high power relay with contact ratings from 8A to 20A. Available in 1FA, 1FC and 2FC contact arrangements.

- 540mW or 720mW
- 5000V breakdown coil to contact



SPECIFICATIONS

Contact Data

Contact Form	M (2 form C) (2 form A)	H (1 form C) (1 form A)	E (1 form C) (1 form A)
Contact Material	AgCdo (AgSn0)	AgCdo (AgSn0)	AgCdo (AgSn0)
Contact Rating	5A 240VAC 5A 30VDC	10A 240VAC 10A 30VDC	16A 240VAC 16A 30VDC
Max. Switching Voltage	250VAC, 30VDC	250VAC, 30VDC	250VAC, 30VDC
Max. Switching Current	8A	12A	20A
Max. Switching Power	1,250VA, 240W	2,500VA, 300W	4,800VA, 480W

Characteristics (At Initial Value)

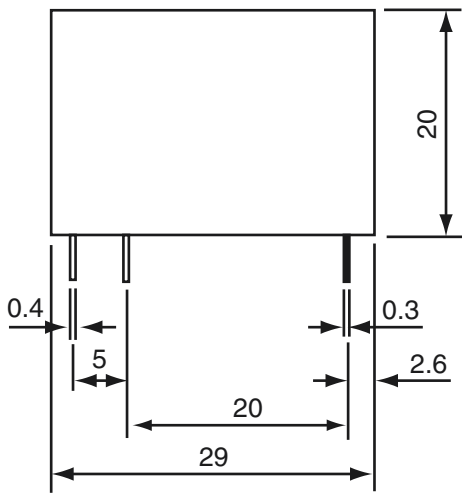
Contact Resistance (Initial)		Max. 100mOhm (by voltage drop 6VDC 1A)
Operate Time (at Nominal Voltage)		Max. 20msec.
Release Time (at Nominal Voltage)		Max. 10msec.
Insulation Resistance (Initial)		Min. 100MOhm (at 500VDC)
Dielectric Strength	Between open contacts	AC 1,000 Volt /1 minute
	Between coil and contacts	AC 5,000 Volt /1 minute
Vibration Resistance	Functional	10 to 55Hz at double amplitude of 1.5mm
	Destructive	10 to 55Hz at double amplitude of 1.5mm
Shock Resistance	Functional	Min. 10G
	Destructive	Min. 100G
Ambient Temperature		-30 to +70°C
Humidity		40 to 85% RH
Life Expectancy	Mechanical	Min. 100,000 operations (at operating frequency of 30 operations/minute)
	Electrical	Min. 10,000,000 operations
Weight		Approx. 14g

DIMENSIONS

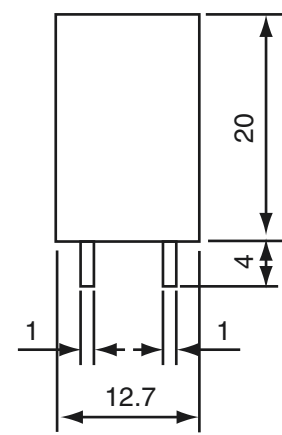
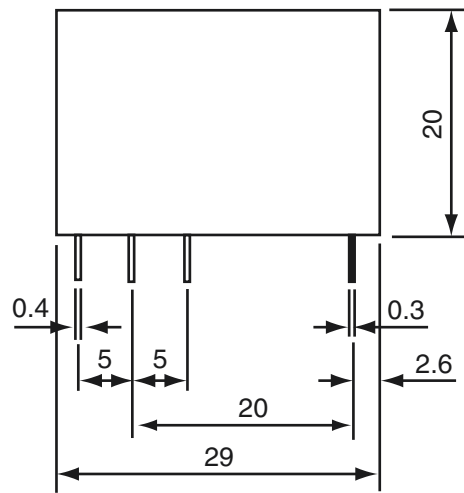
mm

TP2(22)-M

Form A

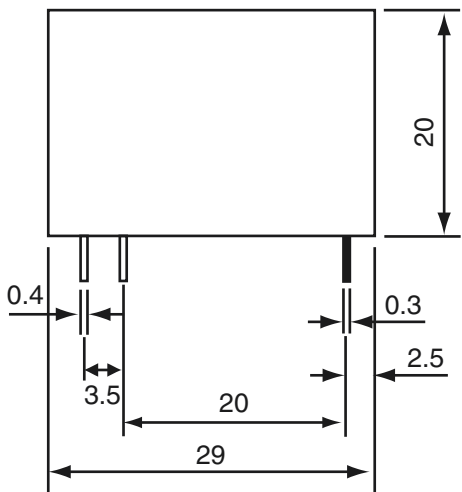


Form C

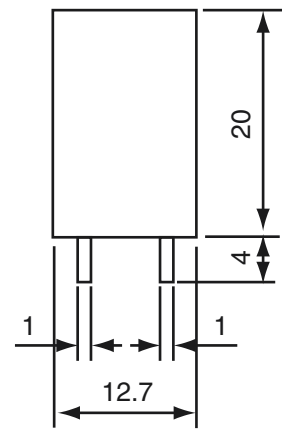
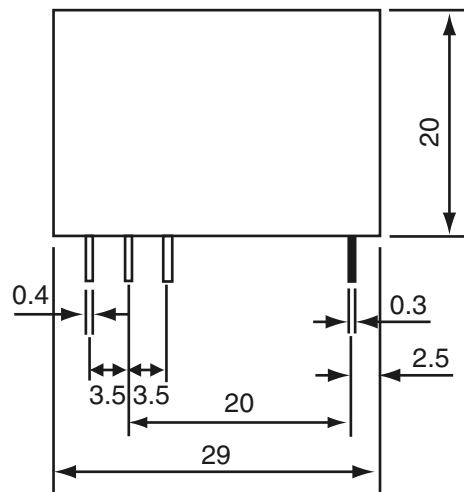


TP1(11)-H

Form A

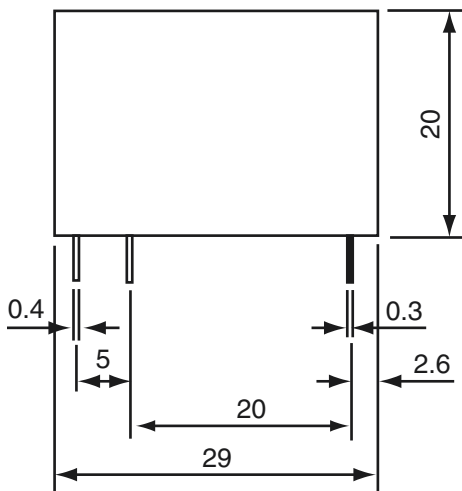


Form C

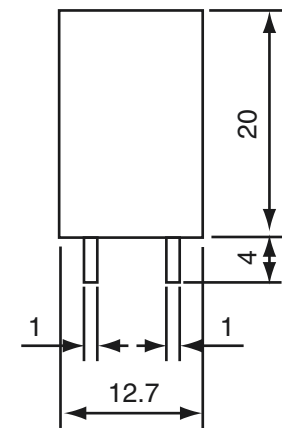
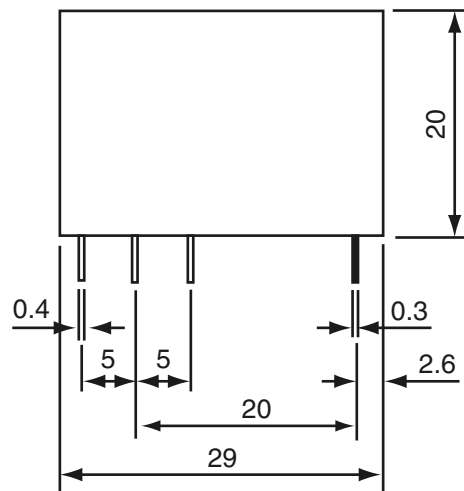


TP1(11)-E

Form A



Form C

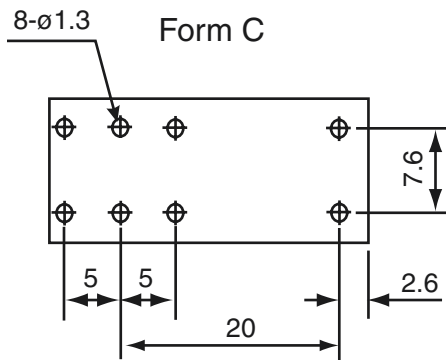
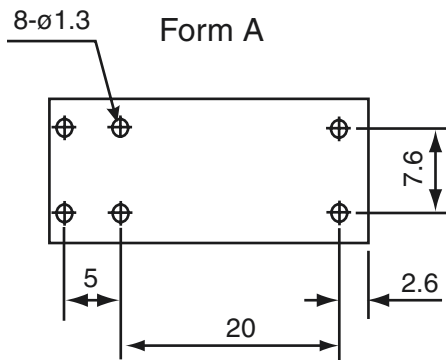


PAD LAYOUT

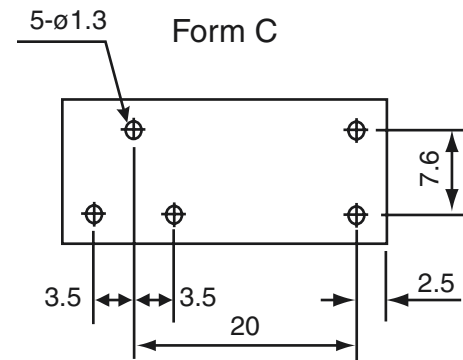
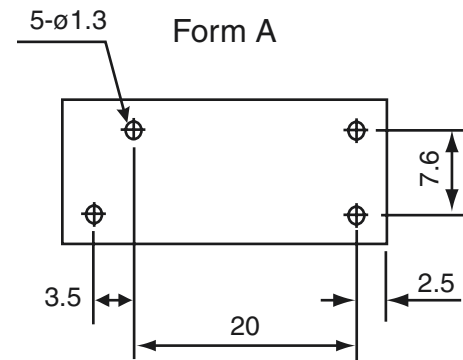
(bottom view) mm

Tolerance: ± 0.1

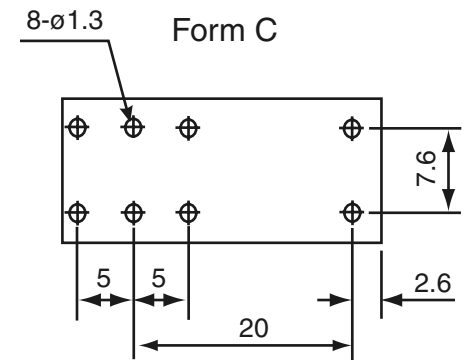
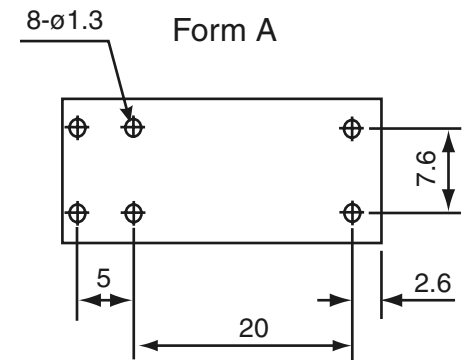
TP2(22)-M



TP1(11)-H



TP1(11)-E

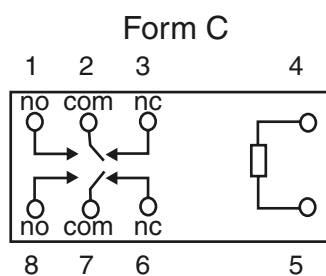
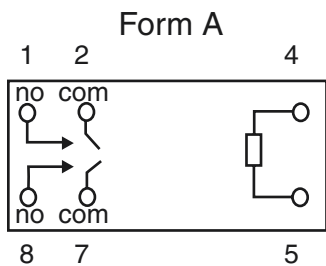


SCHEMATICS

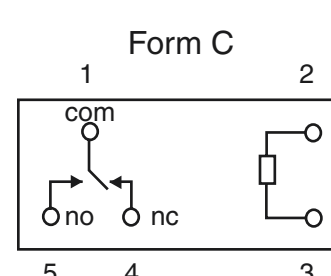
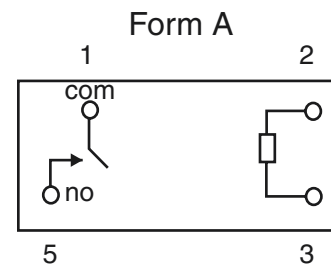
(bottom view)

Tolerance: ± 0.1

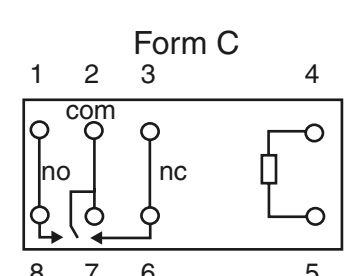
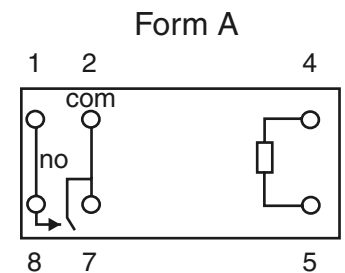
TP2(22)-M



TP1(11)-H



TP1(11)-E



PART NUMBER SYSTEM

TP 22 - M 12 H
① ② ③ ④

① Contact Configuration

1: 1 Form C
11: 1 Form A
2: 2 Form C
22: 2 Form A

② Contact Rating

M: 5A
H: 10A
E: 16A

③ Coil Voltage

3V, 5V, 6V, 9V, 12V, 24V, 48V

④ Coil Power

Nil: 0.72W
H: 0.54W

NOMINAL LINEUP

Coil Data (at 20° C)

Nominal Voltage VDC	Coil Resistance at 20° C (Ohms)		Max. Operate Voltage	Min. Release Voltage	Max. Applicable Voltage
	0.54W	0.72W			
3	17	13	2.4	0.15	3.9
5	46	35	4	0.25	6.5
6	67	50	4.8	0.3	7.8
9	150	110	7.2	0.45	11.7
12	270	200	9.6	0.6	15.6
24	1050	800	19.2	1.2	31.2
48	4,250 ±15%	3,200	38.4	2.4	62.4

World Products Inc.

19654 8th St. East, Sonoma, CA 95476 USA

Phone: (707) 996-5201 Fax: (707) 996-3380

E-mail: emdsales@worldproducts.com

© 2003 World Products Inc. All rights reserved.