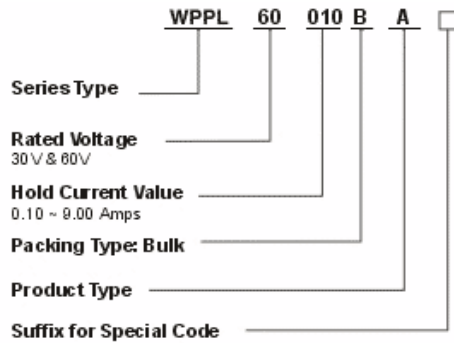




### Explanation of Part Number

Example Part Number:

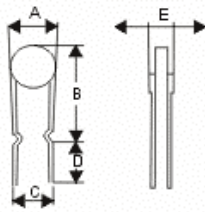


### Features

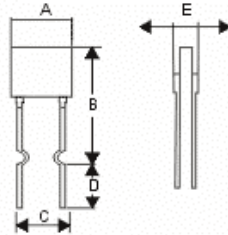
1. Radial leaded devices
2. Bulk packaging, tape, reel and ammo pack available on most models
3. Cured, flame retardant epoxy polymer insulating material meets UL-94V requirements
4. UL Recognized File # E223335

### Dimensions

■ WPPL-60 Series Style 1



■ WPPL-30 Series Style 2



Model	A Max.	B Max.	C		D Min	E Max	Physical characteristics		
			Nom.	Tol.±			Style	Lead	Material
WPPL-60-010	7.4	12.7	5.1	0.7	7.6	3.1	1	0.51 dia.	Sn/CuFe
WPPL-60-017	7.4	12.7	5.1	0.7	7.6	3.1	1	0.51 dia.	Sn/CuFe
WPPL-60-020	7.4	12.2	5.1	0.7	7.6	3.1	1	0.51 dia.	Sn/CuFe
WPPL-60-025	7.4	12.7	5.1	0.7	7.6	3.1	1	0.51 dia.	Sn/CuFe
WPPL-60-030	7.4	13.0	5.1	0.7	7.6	3.1	1	0.51 dia.	Sn/CuFe
WPPL-60-040	7.6	13.5	5.1	0.7	7.6	3.1	1	0.51 dia.	Sn/CuFe
WPPL-60-050	7.9	13.7	5.1	0.7	7.6	3.1	1	0.51 dia.	Sn/Cu
WPPL-60-065	9.7	14.5	5.1	0.7	7.6	3.1	1	0.51 dia.	Sn/Cu
WPPL-60-075	10.4	15.2	5.1	0.7	7.6	3.1	1	0.51 dia.	Sn/Cu
WPPL-60-090	11.7	15.8	5.1	0.7	7.6	3.1	1	0.51 dia.	Sn/Cu
WPPL-60-110	13.0	18.0	5.1	0.7	7.6	3.1	1	0.81 dia.	Sn/Cu
WPPL-60-135	14.5	19.6	5.1	0.7	7.6	3.1	1	0.81 dia.	Sn/Cu
WPPL-60-160	16.3	21.3	5.1	0.7	7.6	3.1	1	0.81 dia.	Sn/Cu
WPPL-60-185	17.8	22.9	5.1	0.7	7.6	3.1	1	0.81 dia.	Sn/Cu
WPPL-60-250	21.3	26.4	10.2	0.7	7.6	3.1	1	0.81 dia.	Sn/Cu
WPPL-60-300	24.9	30.0	10.2	0.7	7.6	3.1	1	0.81 dia.	Sn/Cu
WPPL-60-375	28.5	33.5	10.2	0.7	7.6	3.1	1	0.81 dia.	Sn/Cu
WPPL-30-090	7.4	12.2	5.1	0.7	7.6	3.0	2	0.51 dia.	Sn/Cu
WPPL-30-110	7.4	14.2	5.1	0.7	7.6	3.0	2	0.51 dia.	Sn/Cu
WPPL-30-135	8.9	13.5	5.1	0.7	7.6	3.0	2	0.51 dia.	Sn/Cu
WPPL-30-160	8.9	15.2	5.1	0.7	7.6	3.0	2	0.51 dia.	Sn/Cu
WPPL-30-185	10.2	15.7	5.1	0.7	7.6	3.0	2	0.51 dia.	Sn/Cu
WPPL-30-250	11.4	18.3	5.1	0.7	7.6	3.0	2	0.81 dia.	Sn/Cu
WPPL-30-300	11.4	17.3	5.1	0.7	7.6	3.0	2	0.81 dia.	Sn/Cu
WPPL-30-400	14.0	20.1	5.1	0.7	7.6	3.0	2	0.81 dia.	Sn/Cu
WPPL-30-500	14.0	24.9	10.2	0.7	7.6	3.0	2	0.81 dia.	Sn/Cu
WPPL-30-600	16.5	24.9	10.2	0.7	7.6	3.0	2	0.81 dia.	Sn/Cu
WPPL-30-700	19.1	26.7	10.2	0.7	7.6	3.0	2	0.81 dia.	Sn/Cu
WPPL-30-800	21.6	29.2	10.2	0.7	7.6	3.0	2	0.81 dia.	Sn/Cu
WPPL-30-900	24.1	29.7	10.2	0.7	7.6	3.0	2	0.81 dia.	Sn/Cu



**Specifications**

Model	V max. (Volts)	I max. (Ampere)	I hold	I trip	Initial Resistance		1 Hour Post-Trip Resistance R1	Max. Time To Trip		Tripped Power Dissipation P(d)
			Amperes at 25°		Ohms at 25°		Ohms at 25°	Amperes at 25°	Seconds at 25°	Watts at 25°
			Hold	Trip	Min.	Max.	Max.			
WPPL-60-010	60	40	0.10	0.20	2.50	4.50	7.50	0.50	4.00	0.38
WPPL-60-017	60	40	0.17	0.34	2.00	3.20	8.00	0.85	3.00	0.48
WPPL-60-020	60	40	0.20	0.40	1.83	2.84	4.40	1.00	2.20	0.40
WPPL-60-025	60	40	0.25	0.50	1.25	1.95	3.00	1.25	2.50	0.45
WPPL-60-030	60	40	0.30	0.60	0.88	1.36	2.10	1.50	3.00	0.50
WPPL-60-040	60	40	0.40	0.80	0.55	0.86	1.29	2.00	3.80	0.55
WPPL-60-050	60	40	0.50	1.00	0.50	0.77	1.17	2.50	4.00	0.75
WPPL-60-065	60	40	0.65	1.30	0.31	0.48	0.72	3.25	5.30	0.90
WPPL-60-075	60	40	0.75	1.50	0.25	0.40	0.60	3.75	6.30	0.90
WPPL-60-090	60	40	0.90	1.80	0.20	0.31	0.47	4.50	7.20	1.00
WPPL-60-110	60	40	1.10	2.20	0.15	0.25	0.38	5.50	8.20	1.50
WPPL-60-135	60	40	1.35	2.70	0.12	0.19	0.30	6.75	9.60	1.70
WPPL-60-160	60	40	1.60	3.20	0.09	0.14	0.22	8.00	11.40	1.90
WPPL-60-185	60	40	1.85	3.70	0.08	0.12	0.19	9.25	12.60	2.10
WPPL-60-250	60	40	2.50	5.00	0.05	0.08	0.13	12.50	15.60	2.50
WPPL-60-300	60	40	3.00	6.00	0.04	0.06	0.10	15.00	19.80	2.80
WPPL-60-375	60	40	3.75	7.50	0.03	0.05	0.08	18.75	24.00	3.20
WPPL-30-090	30	40	0.90	1.80	0.07	0.12	0.22	4.50	5.90	0.60
WPPL-30-110	30	40	1.10	2.20	0.05	0.10	0.27	5.50	6.60	0.70
WPPL-30-135	30	40	1.35	2.70	0.04	0.08	0.17	6.75	7.30	0.80
WPPL-30-160	30	40	1.60	3.20	0.03	0.07	0.15	8.00	8.00	0.90
WPPL-30-185	30	40	1.85	3.70	0.03	0.06	0.11	9.25	8.70	1.00
WPPL-30-250	30	40	2.50	5.00	0.02	0.05	0.07	12.50	10.30	1.20
WPPL-30-300	30	40	3.00	6.00	0.02	0.05	0.08	15.00	10.80	2.00
WPPL-30-400	30	40	4.00	8.00	0.01	0.03	0.05	20.00	12.70	2.50
WPPL-30-500	30	40	5.00	10.00	0.01	0.03	0.05	25.00	14.50	3.00
WPPL-30-600	30	40	6.00	12.00	0.005	0.02	0.04	30.00	16.00	3.50
WPPL-30-700	30	40	7.00	14.00	0.005	0.02	0.03	35.00	17.50	3.80
WPPL-30-800	30	40	8.00	16.00	0.005	0.02	0.03	40.00	18.80	4.00
WPPL-30-900	30	40	9.00	18.00	0.005	0.01	0.02	40.00	20.00	4.20