

REV. Status

REVISION -
10/26/99 TS

REVISION A
CHANGED F
SEE PG. 2
11/22/99 TS

THREE FLANGE DUAL PRIMARY 56VA PC BOARD POWER TRANSFORMER

- A. Electrical Specifications (@ 25°C)
1. Maximum Power: 56VA
 2. Input Voltage and Frequency: 115/230V 50/60Hz
 3. Secondary Voltage: See Table A
 4. Voltage Regulation: 18% TYP @ full load to no load
 5. Temperature Rise: 45°C TYP (50°C MAX allowed)
 6. Insulation Resistance:
 - 100MΩ MIN @ 500VDC, Pri to Sec, Pri to Core
 - 100MΩ MIN @ 500VDC, Sec to Core

7. Hi-Pot: 3500 Vrms 1 minute @ Pri to Sec
1500 Vrms 1 minute @ Pri to Core
500 Vrms 1 minute @ Sec to Core
- B. Marking: TAMURA, MICROTRAN, part number (see sheet 2), date code, country of origin, safety logos and input and output ratings

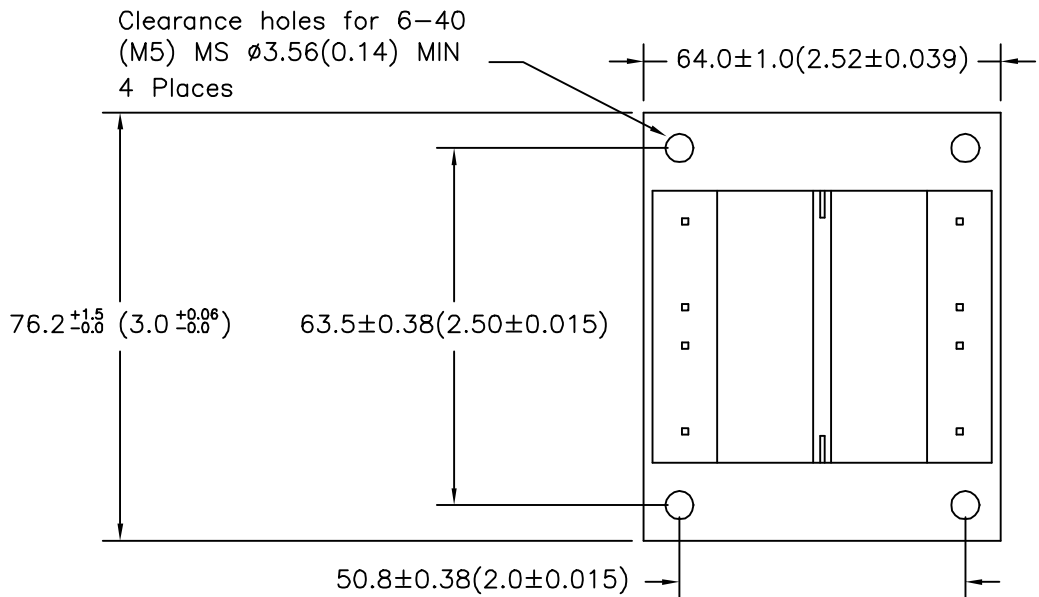
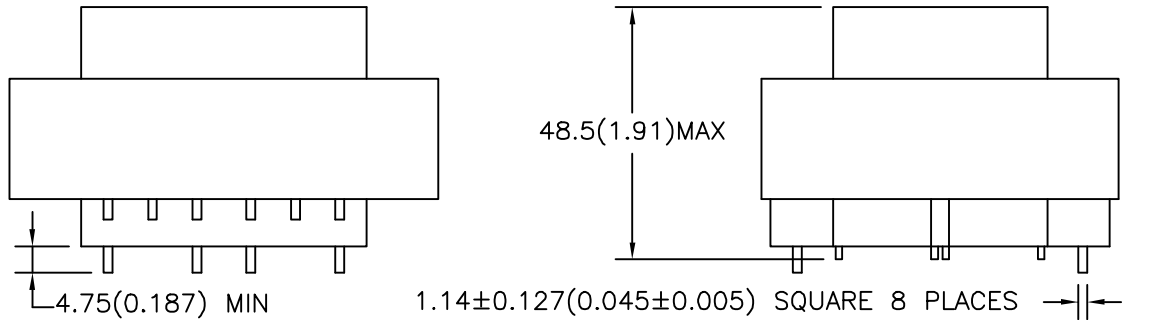
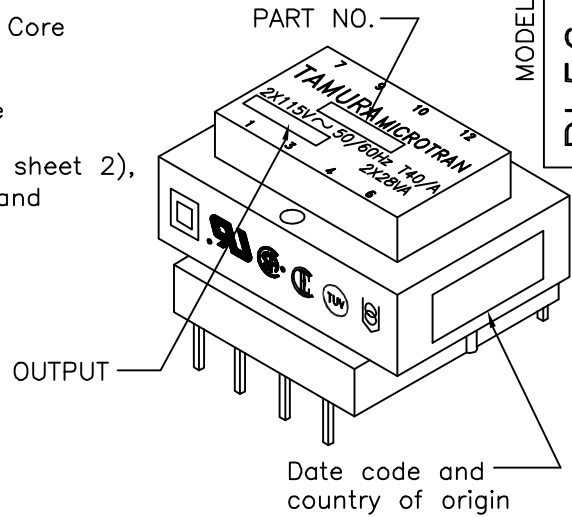
- C. Safety:
- CSA File Nos. LR69222 and LR69223
 - UL 1411 File No. E138028 Construction only
 - UL 506, General Purpose, File No. E79781.
 - TUV File 810/89 (EN60742 and VDE 0551).

- D. Mechanical Specifications:



MODEL NUMBER

PL56 SERIES



TOLERANCES (mm)
≤ 4 ± 0.2
4 ≤ 20 ± 0.3
20 ≤ 50 ± 0.4

PREPARED BY:

D. Rund

ENGINEER:

T. Shiozawa

QUALITY CONTROL:

D. Kelley

APPROVED:

D. Kelley

DRAWING CONTROL NO.
P-A1-11589
ACAD\MXFMR\A1115891.DWG

REV
A

MODEL DESCRIPTION
PL56 SERIES
POWER TRANSFORMER

MODEL SPECIFICATION

PL56 SERIES

CONTENTS OF THIS DRAWING ARE SUBJECT TO CHANGE WITHOUT PRIOR NOTICE

TAMURA CORPORATION OF AMERICA
43352 BUSINESS PARK DRIVE, TEMECULA, CA. 92590-6624
(909) 699-1270 FAX 9096769482

DIM: mm(In) SCL: NONE SH: 1 OF 2

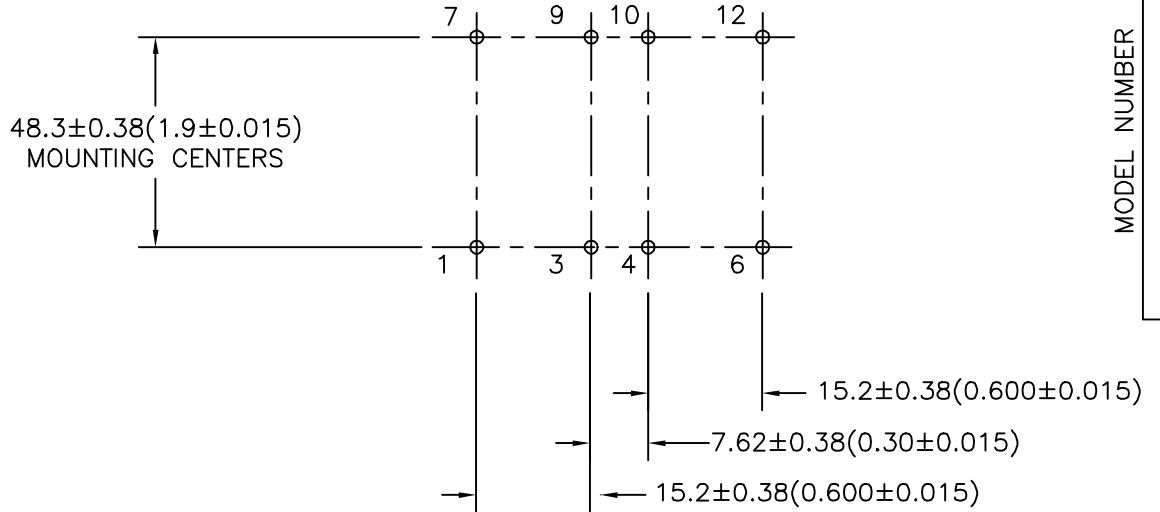
PROPRIETARY NOTICE: THIS DRAWING PRINT OR DOCUMENT AND SUBJECT MATTER DISCLOSED HEREIN ARE PROPRIETARY ITEMS TO WHICH TAMURA RETAINS THE EXCLUSIVE RIGHT OF DISSEMINATION, REPRODUCTION, MANUFACTURE AND SALE. THIS DRAWING, PRINT OR DOCUMENT IS SUBMITTED IN CONFIDENCE FOR CONSIDERATION BY THE RECIPIENT ALONE UNLESS PERMISSION FOR FURTHER DISCLOSURE IS EXPRESSLY GRANTED IN WRITING.

REV. Status

REVISION -
10/26/99 TS

REVISION A
CHANGED F
SEE PG. 2
11/22/99 TS

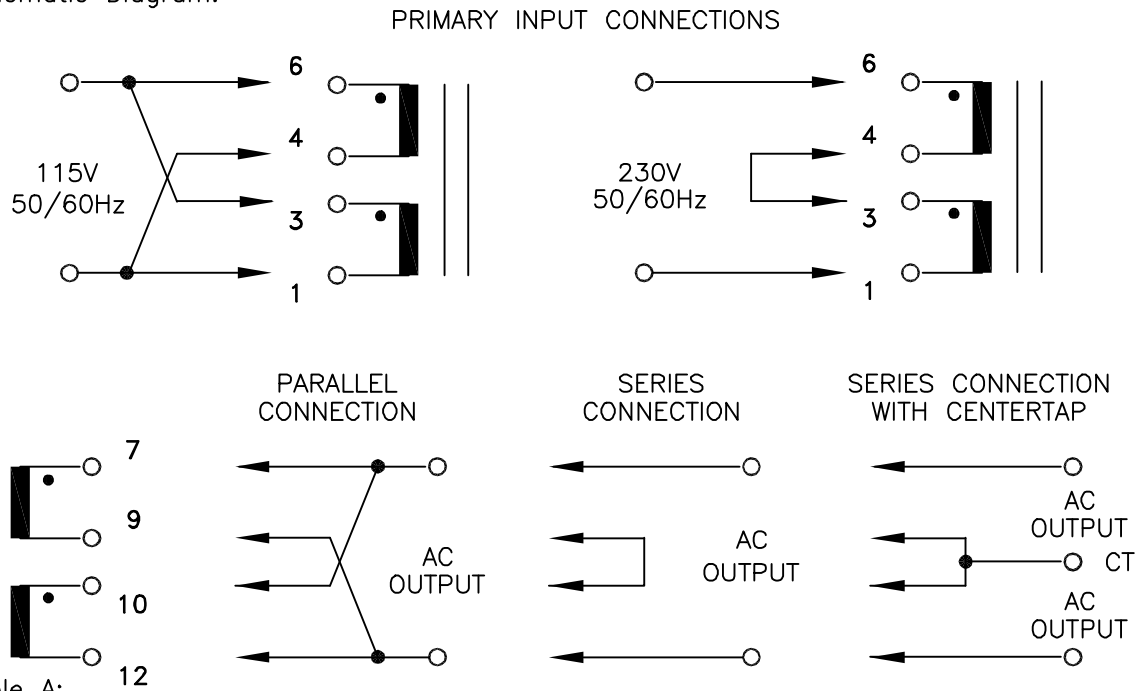
E. Mounting Footprint:



MODEL NUMBER

PL56 SERIES

F. Schematic Diagram:



G. Table A:

PART NO.	PARALLEL CONNECTION		SERIES CONNECTION		SERIES CONNECTION WITH CT		OUTPUT
	AC VOLTS	RMS AMPS	AC VOLTS	RMS AMPS	AC VOLTS	RMS AMPS	
PL56-10	5.0	11.20	10.0	5.60	5.0-CT-5.0	5.60	2X5.0V
PL56-12	6.3	8.80	12.6	4.40	6.3-CT-6.3	4.40	2X6.3V
PL56-16	8.0	7.0	16.0	3.50	8.0-CT-8.0	3.50	2X8.0V
PL56-20	10.0	5.60	20.0	2.80	10.0-CT-10.0	2.80	2X10.0V
PL56-24	12.0	4.66	24.0	2.33	12.0-CT-12.0	2.33	2X12.0V
PL56-28	14.0	4.0	28.0	2.00	14.0-CT-14.0	2.00	2X14.0V
PL56-36	18.0	3.12	36.0	1.56	18.0-CT-18.0	1.56	2X18.0V

PREPARED BY:

D. Rund

ENGINEER:

T. Shiozawa

QUALITY CONTROL:

D. Kelley

APPROVED:

D. Kelley

DRAWING CONTROL NO.
P-A1-11589
ACAD\MXFMR\A1115892.DWG

REV
A

MODEL DESCRIPTION
PL56 SERIES
POWER TRANSFORMER

MODEL SPECIFICATION

PL56 SERIES

CONTENTS OF THIS DRAWING ARE
SUBJECT TO CHANGE WITHOUT
PRIOR NOTICE

TAMURA CORPORATION OF AMERICA
43352 BUSINESS PARK DRIVE, TEMECULA, CA. 92590-6624
(909) 699-1270 FAX 9096769482

DIM: mm(In) SCL: NONE SH: 2 OF 2

PROPRIETARY NOTICE: THIS DRAWING PRINT OR DOCUMENT AND SUBJECT MATTER DISCLOSED HEREIN ARE PROPRIETARY ITEMS TO WHICH TAMURA
RETAINS THE EXCLUSIVE RIGHT OF DISSEMINATION, REPRODUCTION, MANUFACTURE AND SALE. THIS DRAWING, PRINT OR DOCUMENT IS SUBMITTED IN
CONFIDENCE FOR CONSIDERATION BY THE RECIPIENT ALONE UNLESS PERMISSION FOR FURTHER DISCLOSURE IS EXPRESSLY GRANTED IN WRITING.