

REV. Status

THREE FLANGE DUAL PRIMARY 2.5VA PC BOARD POWER TRANSFORMER

REVISION -
10/22/99 TS

REVISION A
CHANGED F
SEE PG. 2
11/22/99 TS

REVISION B
CORRECTION
TO SCHEMATIC
PAGE 2.
12/13/00 TS

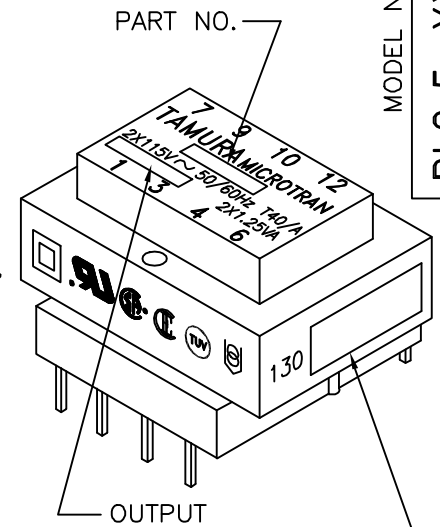
A. Electrical Specifications (@ 25°C)

1. Maximum Power: 2.5VA
2. Input Voltage and Frequency: 115/230V 50/60Hz
3. Secondary Voltage: See Table A
4. Voltage Regulation: 31% TYP @ full load to no load
5. Temperature Rise: 35°C TYP (45°C MAX allowed)
6. Insulation Resistance:
100MΩ MIN @ 500VDC, Pri to Sec, Pri to Core
100MΩ MIN @ 500VDC, Sec to Core
7. Hi-Pot: 3500Vrms 1 minute @ Pri to Sec
1500Vrms 1 minute @ Pri to Core
500Vrms 1 minute @ Sec to Core

B. Marking: TAMURA, MICROTRAN, part number (see sheet 2), date code, country of origin, safety logos and input and output ratings

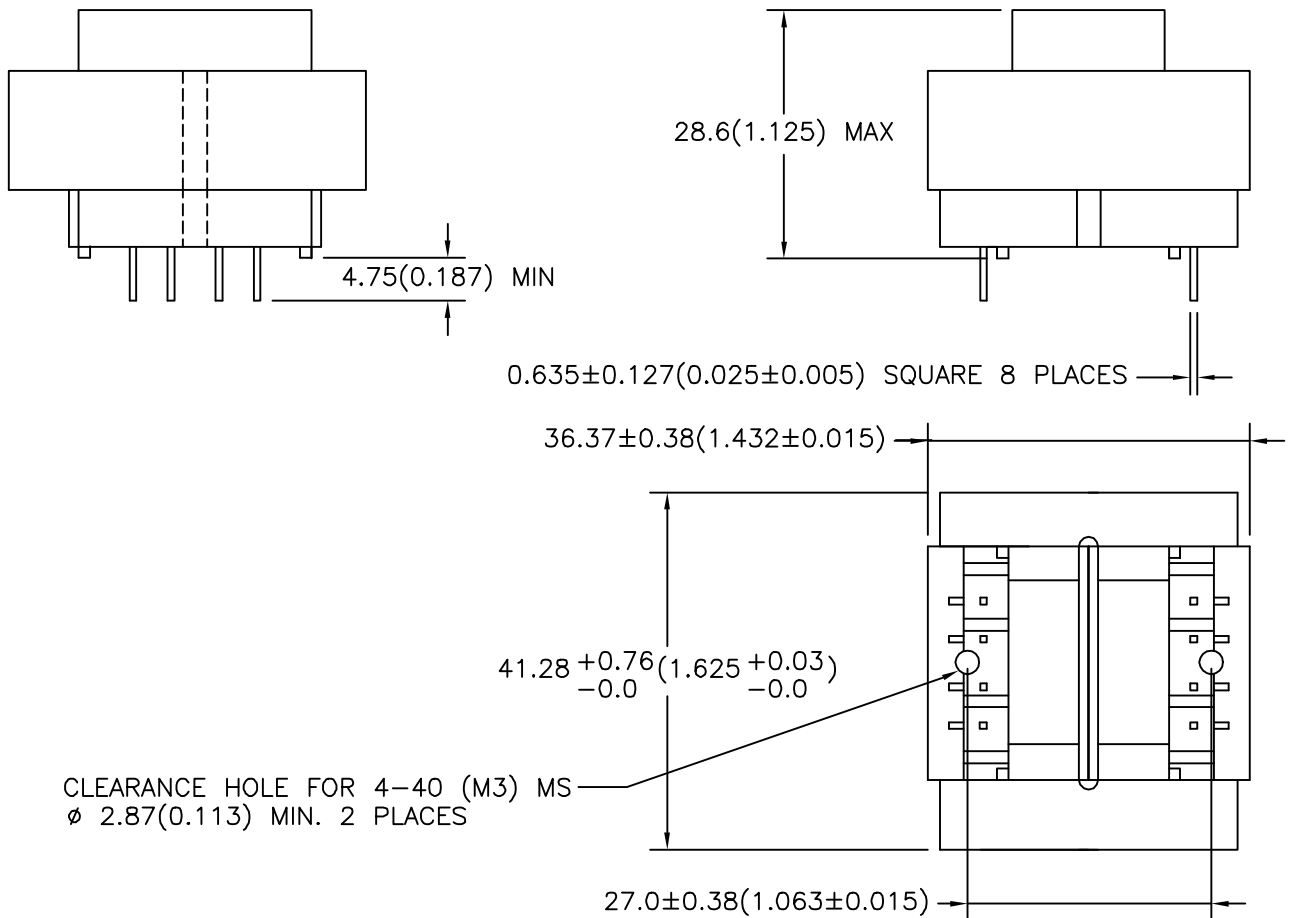
C. Safety:
CSA File Nos. LR69222 and LR69223
UL 1411 File No. E138028 Construction only
UL 506, General Purpose, File No. E79781.
Class B (130°C) File No. E92957
TUV File 810/89 (EN60950, and VDE 0551)

D. Mechanical Specifications:



MODEL NUMBER

PL2.5-XX-130B



TOLERANCES (mm)
≤ 4 ± 0.2
4 ≤ 20 ± 0.3
20 ≤ 50 ± 0.4

PREPARED BY:

D. Rund

ENGINEER:

T. Shiozawa

QUALITY CONTROL:

APPROVED:

J. Coleman

DRAWING CONTROL NO. P-A1-12226 ACAD\MXFMR\A1122262.DWG	REV B
CONTENTS OF THIS DRAWING ARE SUBJECT TO CHANGE WITHOUT PRIOR NOTICE	

MODEL DESCRIPTION PL2.5-XX-130B POWER TRANSFORMER
TAMURA CORPORATION OF AMERICA 43352 BUSINESS PARK DRIVE, TEMECULA, CA. 92590-6624 (909) 699-1270 FAX 9096769482

MODEL SPECIFICATION PL2.5-XX-130B
DIM: mm(in) SCL: NONE SH: 1 OF 2

PROPRIETARY NOTICE: THIS DRAWING PRINT OR DOCUMENT AND SUBJECT MATTER DISCLOSED HEREIN ARE PROPRIETARY ITEMS TO WHICH TAMURA RETAINS THE EXCLUSIVE RIGHT OF DISSEMINATION, REPRODUCTION, MANUFACTURE AND SALE. THIS DRAWING, PRINT OR DOCUMENT IS SUBMITTED IN CONFIDENCE FOR CONSIDERATION BY THE RECIPIENT ALONE UNLESS PERMISSION FOR FURTHER DISCLOSURE IS EXPRESSLY GRANTED IN WRITING.

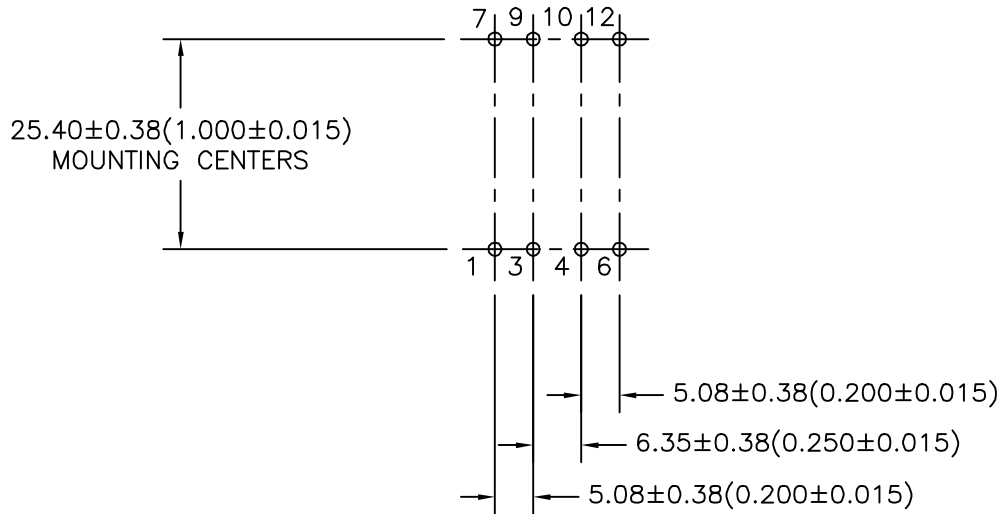
REV. Status

REVISION -
10/22/99 TS

REVISION A
CHANGED F
SEE PG. 2
11/22/99 TS

REVISION B
CORRECTION
TO SCHEMATIC
PAGE 2.
12/13/00 TS

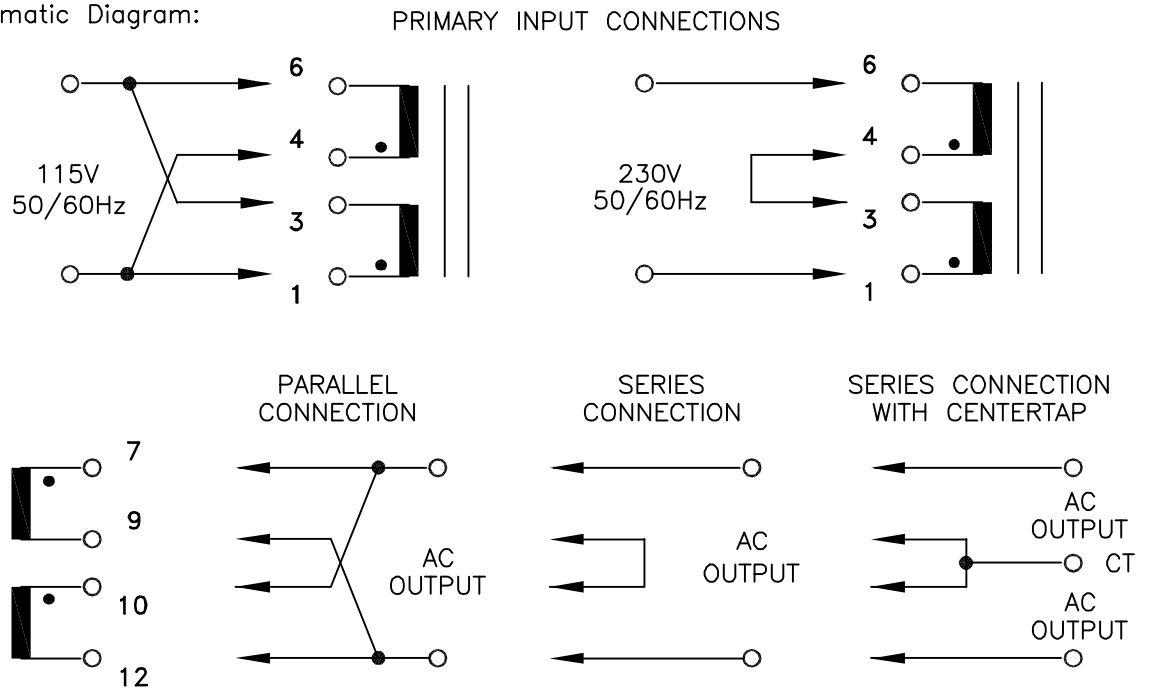
E. Mounting Footprint:



MODEL NUMBER

PL2.5-XX-130B

F. Schematic Diagram:



G. Table A:

PART NO.	PARALLEL CONNECTION		SERIES CONNECTION		SERIES CONNECTION WITH CT		OUTPUT
	AC VOLTS	RMS AMPS	AC VOLTS	RMS AMPS	AC VOLTS	RMS AMPS	
PL2.5-10-130B	5.0	0.5	10.0	0.25	5.0-CT-5.0	0.25	2X5.0V
PL2.5-12-130B	6.3	0.4	12.6	0.2	6.3-CT-6.3	0.2	2X6.3V
PL2.5-16-130B	8.0	0.3	16.0	0.15	8.0-CT-8.0	0.15	2X8.0V
PL2.5-20-130B	10.0	0.24	20.0	0.12	10.0-CT-10.0	0.12	2X10.0V
PL2.5-24-130B	12.0	0.2	24.0	0.1	12.0-CT-12.0	0.1	2X12.0V
PL2.5-28-130B	14.0	0.18	28.0	0.09	14.0-CT-14.0	0.09	2X14.0V
PL2.5-36-130B	18.0	0.14	36.0	0.07	18.0-CT-18.0	0.07	2X18.0V

PREPARED BY:

D. Rund

ENGINEER:

T. Shiozawa

QUALITY CONTROL:

APPROVED:

J. Coleman

DRAWING CONTROL NO.
P-A1-12226
ACAD\MXFMR\A1122262.DWG

REV
B

CONTENTS OF THIS DRAWING ARE
SUBJECT TO CHANGE WITHOUT
PRIOR NOTICE

MODEL DESCRIPTION
PL2.5-XX-130B
POWER TRANSFORMER

TAMURA CORPORATION OF AMERICA
43352 BUSINESS PARK DRIVE, TEMECULA, CA. 92590-6624
(909) 699-1270 FAX 9096769482

MODEL SPECIFICATION
PL2.5-XX-130B

DIM: mm(in) SCL: NONE SH: 2 OF 2

PROPRIETARY NOTICE: THIS DRAWING PRINT OR DOCUMENT AND SUBJECT MATTER DISCLOSED HEREIN ARE PROPRIETARY ITEMS TO WHICH TAMURA RETAINS THE EXCLUSIVE RIGHT OF DISSEMINATION, REPRODUCTION, MANUFACTURE AND SALE. THIS DRAWING, PRINT OR DOCUMENT IS SUBMITTED IN CONFIDENCE FOR CONSIDERATION BY THE RECIPIENT ALONE UNLESS PERMISSION FOR FURTHER DISCLOSURE IS EXPRESSLY GRANTED IN WRITING.