

TCA NUMBER	PART NO.	PARALLEL CONNECTION		SERIES CONNECTION		OUTPUT
		AC VOLTS	RMS AMPS	AC VOLTS	RMS AMPS	
P-A1-11587-01	PL20-10	5.0	4.0	10.0CT	2.0	2X5.0V
P-A1-11587-02	PL20-12	6.3	3.2	12.6CT	1.6	2X6.3V
P-A1-11587-03	PL20-16	8.0	2.5	16.0CT	1.25	2X8.0V
P-A1-11587-04	PL20-20	10.0	2.0	20.0CT	1.0	2X10.0V
P-A1-11587-05	PL20-24	12.0	1.66	24.0CT	0.83	2X12.0V
P-A1-11587-06	PL20-28	14.0	1.44	28.0CT	0.72	2X14.0V
P-A1-11587-07	PL20-36	18.0	1.12	36.0CT	0.56	2X18.0V

A. Electrical Specifications (@ 25°C)

1. Maximum Power; 20VA
2. Input Voltage and Frequency; 115/230V 50/60Hz
3. Voltage Regulation; 20% TYP @ full load to no load
4. Temperature Rise; 40°C TYP (45°C MAX allowed)
5. Insulation Resistance; 100MΩ MIN @ 500VDC, Pri to Sec, Pri to Core, Sec to Core
6. Hi-Pot; 3500Vrms 1 minute @ Pri to Sec
1500Vrms 1 minute @ Pri to Core
1500Vrms 1 minute @ Sec to Core
500Vrms 1 minute @ Sec to Sec

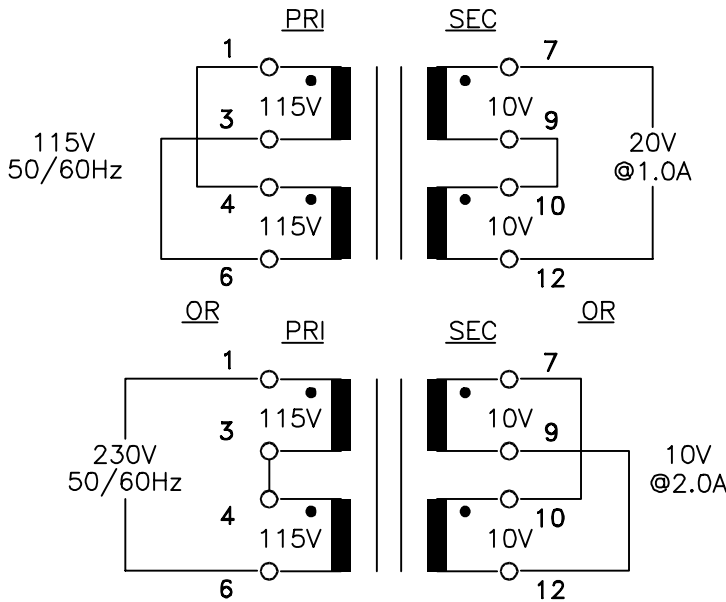
B. Marking; TAMURA, MICROTRAN, part number (see tabulation), date code, country of origin, terminal numbers and input and output ratings

C. Safety:

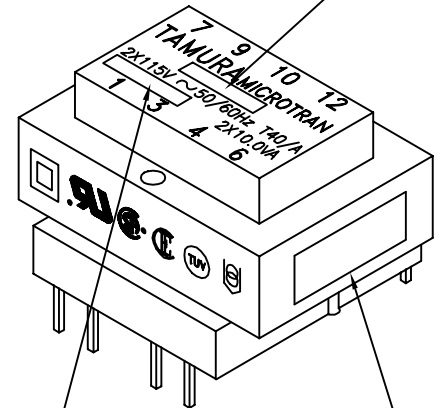
- CSA File Nos. LR69222 and LR69223
- UL 1411 File No. E138028 Construction only
- UL 506, General Purpose, File No. E79781.
- TUV File 810/89 (EN60742, and VDE 0551)

D. Schematic Diagram;

Based on PL20-20 configuration.
See tabulation for appropriate values



PART NO. (See tabulation)



OUTPUT
(See tabulation)

Date code and
country of origin

TOLERANCES (mm)
≤ 4 ± 0.2
4 ≤ 20 ± 0.3
20 ≤ 50 ± 0.4

PREPARED BY:

D. Rund

ENGINEER:

T. Shiozawa

QUALITY CONTROL:

D. Kelley

APPROVED:

D. Kelley

DWG CONTROL NO.
P-A1-11587
ACAD\MXFMR\A1115871.DWG

REV

—

POWER
TRANSFORMER

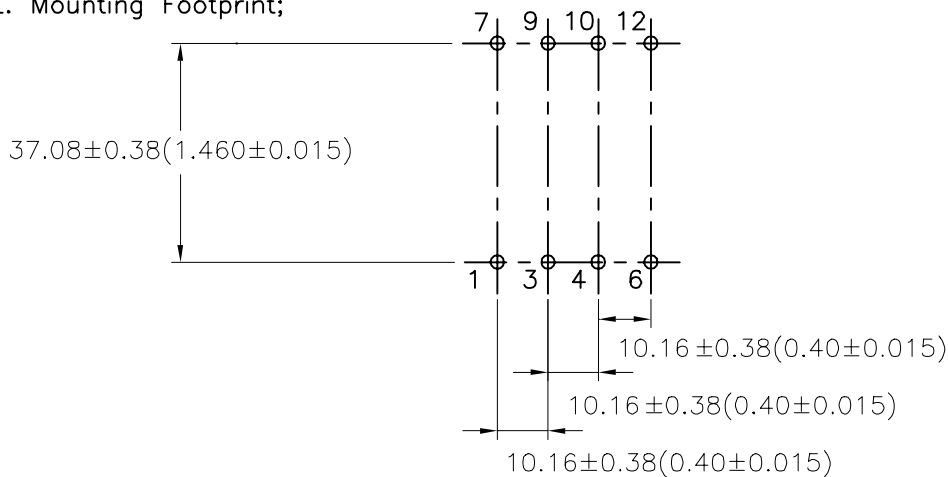
TAMURA CORPORATION OF AMERICA
43352 BUSINESS PARK DRIVE, TEMECULA, CA. 92590-6624
(909) 699-1270 FAX 9096769482

PL20 SERIES
MODEL SPECIFICATION

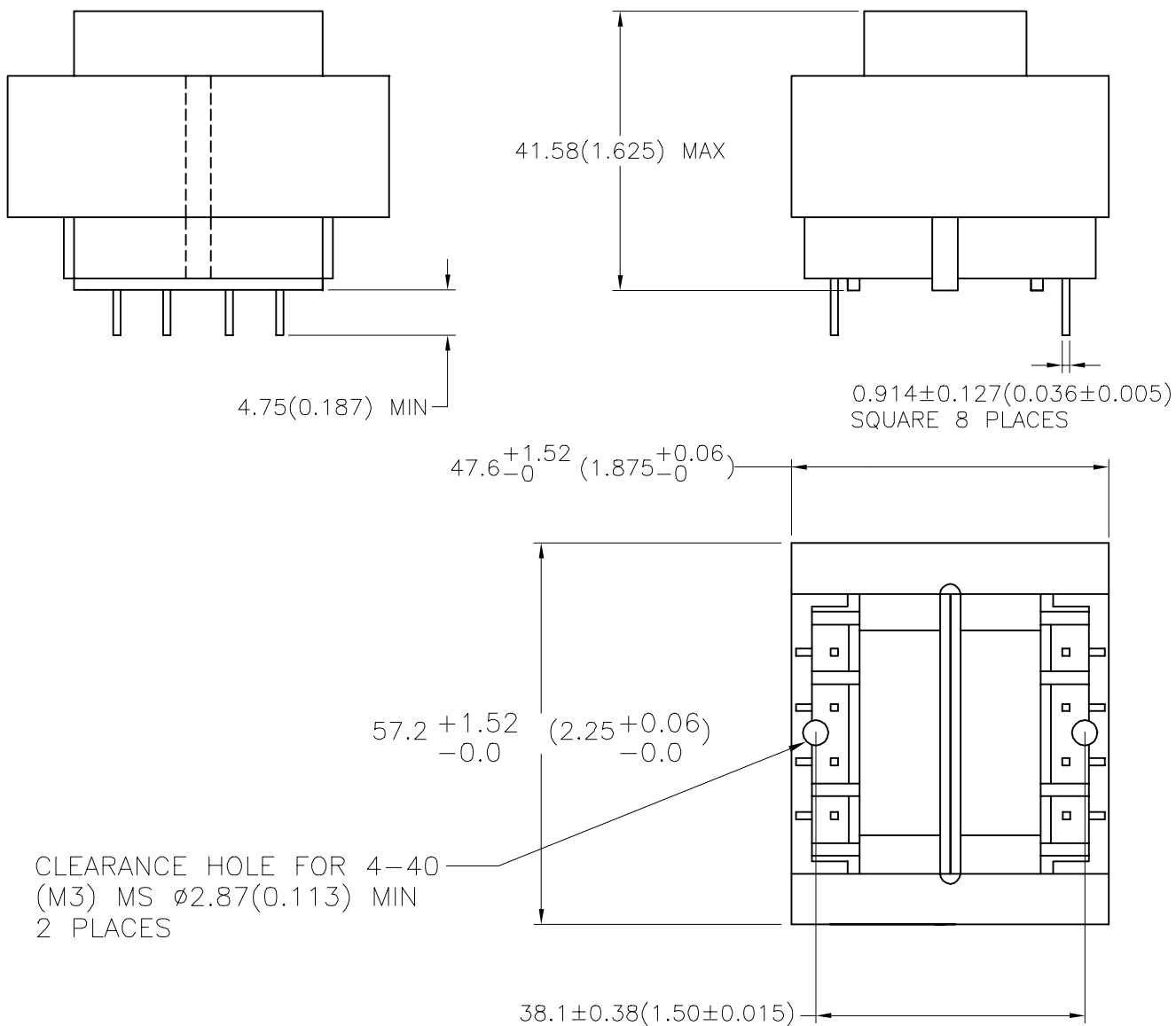
DIM: mm(In) SCL: 1/1 SH: 1 OF 2

PROPRIETARY NOTICE: THIS DRAWING PRINT OR DOCUMENT AND SUBJECT MATTER DISCLOSED HEREIN ARE PROPRIETARY ITEMS TO WHICH TAMURA RETAINS THE EXCLUSIVE RIGHT OF DISSEMINATION, REPRODUCTION, MANUFACTURE AND SALE. THIS DRAWING, PRINT OR DOCUMENT IS SUBMITTED IN CONFIDENCE FOR CONSIDERATION BY THE RECIPIENT ALONE UNLESS PERMISSION FOR FURTHER DISCLOSURE IS EXPRESSLY GRANTED IN WRITING.

E. Mounting Footprint;



F. Mechanical Specifications;



TOLERANCES (mm)	
≤ 4	± 0.2
4 ≤ 20	± 0.3
20 ≤ 50	± 0.4

PREPARED BY:

D. Rund

ENGINEER:

DWG CONTROL NO. P-A1-11587
ACAD\MXFMR\A1115872.DWG

REV

-

POWER TRANSFORMER

PL20 SERIES

QUALITY CONTROL:

CONTENTS OF THIS DRAWING ARE SUBJECT TO CHANGE WITHOUT PRIOR NOTICE

TAMURA CORPORATION OF AMERICA

43352 BUSINESS PARK DRIVE, TEMECULA, CA. 92590-6624
(909) 699-1270 FAX 9096769482

MODEL SPECIFICATION

DIM: mm(In) SCL: 1/1 SH: 2 OF 2

APPROVED:

D. Kelley

PROPRIETARY NOTICE: THIS DRAWING PRINT OR DOCUMENT AND SUBJECT MATTER DISCLOSED HEREIN ARE PROPRIETARY ITEMS TO WHICH TAMURA RETAINS THE EXCLUSIVE RIGHT OF DISSEMINATION, REPRODUCTION, MANUFACTURE AND SALE. THIS DRAWING, PRINT OR DOCUMENT IS SUBMITTED IN CONFIDENCE FOR CONSIDERATION BY THE RECIPIENT ALONE UNLESS PERMISSION FOR FURTHER DISCLOSURE IS EXPRESSLY GRANTED IN WRITING.