

A. Electrical Specifications (@ 25°C)

1. Maximum Power: 24VA
2. Input Voltage and Frequency: 115/230V 50/60Hz
3. Secondary Voltage: See Table A
4. Voltage Regulation: 25% TYP @ full load to no load
5. Temperature Rise: 40°C TYP (45°C MAX allowed)
6. Insulation Resistance:
100 MΩ MIN @ 500VDC, Pri to Sec, Pri to Core
100 MΩ MIN @ 500VDC, Sec to Core
7. Hi-Pot: 1500Vrms 1 minute @ Pri to Sec
1500Vrms 1 minute @ Pri to Core
1500Vrms 1 minute @ Sec to Core



UL# E79781

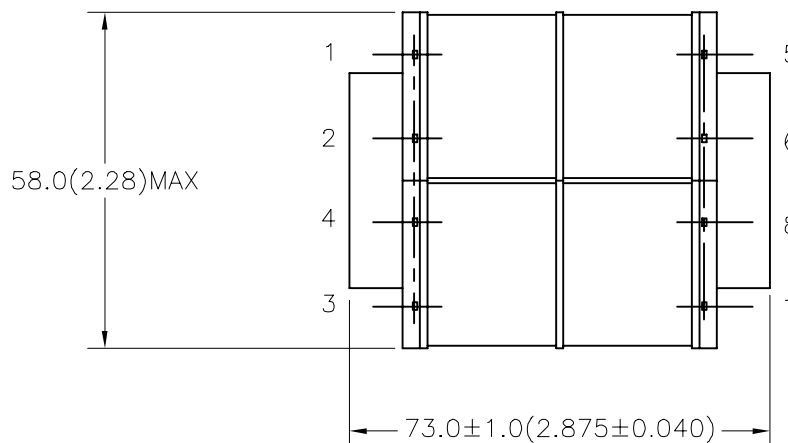
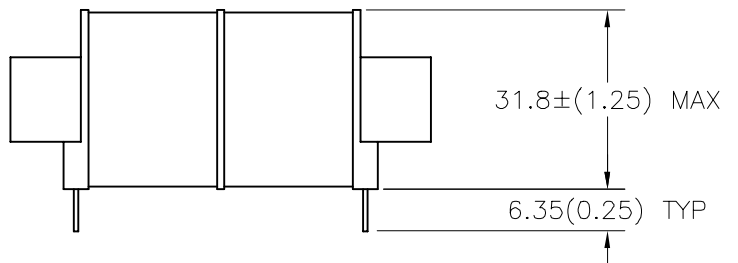
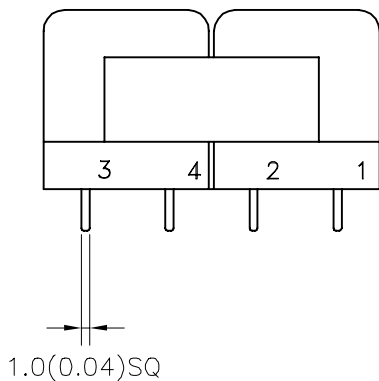
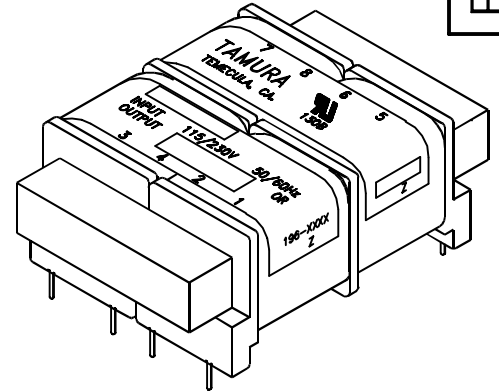
MODEL NUMBER

PF24 SERIES

B. Marking: TAMURA, Tamura part number (see sheet 2), date code, country of origin, safety logos and input and output ratings

C. Safety:
UL 506 General Purpose, File No. E79781

D. Mechanical Specifications:



PREPARED BY:

D. Rund
ENGINEER:

T. Shiozawa

QUALITY CONTROL:

D. Kelley

APPROVED:

D. Kelley

DRAWING CONTROL NO.
P-A1-11739
ACAD\3F\A1117391.DWG

REV
-

MODEL DESCRIPTION
PF24 SERIES
POWER TRANSFORMER

MODEL SPECIFICATION

PF24 SERIES

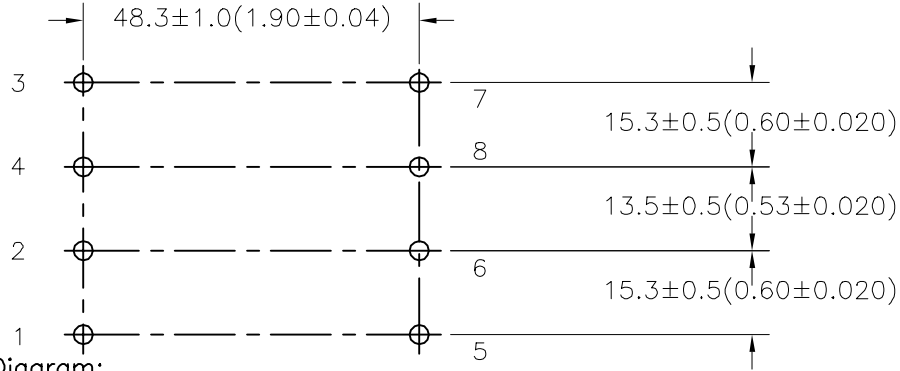
CONTENTS OF THIS DRAWING ARE SUBJECT TO CHANGE WITHOUT PRIOR NOTICE

TAMURA CORPORATION OF AMERICA
43352 BUSINESS PARK DRIVE, TEMECULA, CA. 92590-6624
(909) 699-1270 FAX 9096769482

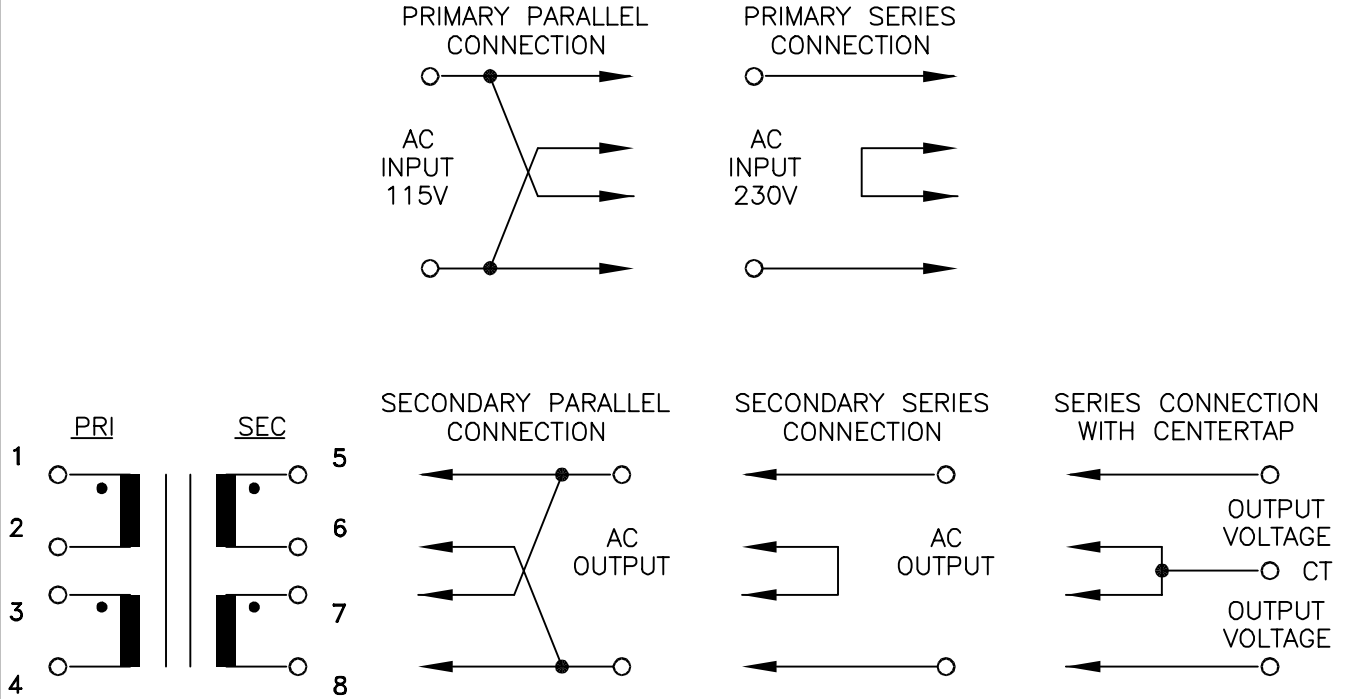
DIM: mm(In) SCL: NONE SH: 1 OF 2

PROPRIETARY NOTICE: THIS DRAWING PRINT OR DOCUMENT AND SUBJECT MATTER DISCLOSED HEREIN ARE PROPRIETARY ITEMS TO WHICH TAMURA RETAINS THE EXCLUSIVE RIGHT OF DISSEMINATION, REPRODUCTION, MANUFACTURE AND SALE. THIS DRAWING, PRINT OR DOCUMENT IS SUBMITTED IN CONFIDENCE FOR CONSIDERATION BY THE RECIPIENT ALONE UNLESS PERMISSION FOR FURTHER DISCLOSURE IS EXPRESSLY GRANTED IN WRITING.

E. Mounting Footprint:



F. Schematic Diagram:



G. Table A:

TAMURA PART NO.	PARALLEL CONNECTION		SERIES CONNECTION		SERIES CONNECTION WITH CT	
	AC VOLTS	RMS AMPS	AC VOLTS	RMS AMPS	AC VOLTS	RMS AMPS
PF24-10	5.0	4.8	10.0	2.4	5.0-CT-5.0	2.4
PF24-12	6.3	3.8	12.6	1.9	6.3-CT-6.3	1.9
PF24-16	8.0	3.0	16.0	1.5	8.0-CT-8.0	1.5
PF24-20	10.0	2.4	20.0	1.2	10.0-CT-10.0	1.2
PF24-24	12.0	2.0	24.0	1.0	12.0-CT-12.0	1.0
PF24-30	15.0	1.6	30.0	.80	15.0-CT-15.0	.80
PF24-34	17.0	1.4	34.0	.70	17.0-CT-17.0	.70
PF24-56	28.0	.85	56.0	.43	28.0-CT-28.0	.43

PREPARED BY:

D. Rund

ENGINEER:

T. Shiozawa

QUALITY CONTROL:

D. Kelley

APPROVED:

D. Kelley

DRAWING CONTROL NO.
P-A1-11739
ACAD\3F\A1117392.DWG

REV
-

MODEL DESCRIPTION
PF24 SERIES
POWER TRANSFORMER

TAMURA CORPORATION OF AMERICA
43352 BUSINESS PARK DRIVE, TEMECULA, CA. 92590-6624
(909) 699-1270 FAX 9096769482

MODEL SPECIFICATION
PF24 SERIES

DIM: mm(In) SCL: NONE SH: 2 OF 2

CONTENTS OF THIS DRAWING ARE SUBJECT TO CHANGE WITHOUT PRIOR NOTICE

PROPRIETARY NOTICE: THIS DRAWING PRINT OR DOCUMENT AND SUBJECT MATTER DISCLOSED HEREIN ARE PROPRIETARY ITEMS TO WHICH TAMURA RETAINS THE EXCLUSIVE RIGHT OF DISSEMINATION, REPRODUCTION, MANUFACTURE AND SALE. THIS DRAWING, PRINT OR DOCUMENT IS SUBMITTED IN CONFIDENCE FOR CONSIDERATION BY THE RECIPIENT ALONE UNLESS PERMISSION FOR FURTHER DISCLOSURE IS EXPRESSLY GRANTED IN WRITING.

MODEL NUMBER
PF24 SERIES