

REV. Status

ISSUE 1 3/17/91 TS
ISSUE 2 TEMECULA WAS CARSON. UPDATED LABELS 12/15/92 TS
ISSUE 3 REFORMATTED 8/18/93 TS

MODEL NUMBER
3FL120-100

A. Electrical Specifications (@ 25 ° C)

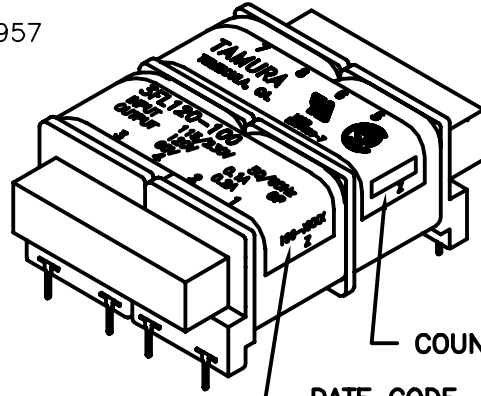
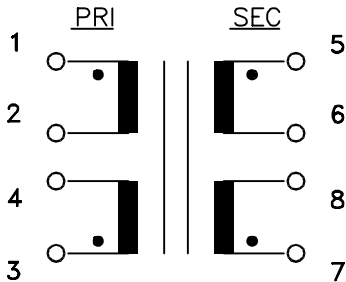
1. Input Voltage and Frequency; 115/230V 50/60 Hz
2. Output Voltage; 120V ±5% @ 0.1A load, series
60V ±5% @ 0.2A load, parallel
3. Output Power; 12 VA
4. Insulation Resistance;
100 MΩ MIN @ 500VDC, Pri to Sec, Pri to Core, Sec to Core
5. Hi-Pot;
1500 Vrms 1 minute @ Pri to Sec, Pri to Core
1500 Vrms 1 minute @ Sec to Core
6. Temperature Rating; 130°C (UL Class "B")

B. Marking; 3FL120-100, TAMURA TEMECULA CA, date code, country of origin, Input and output ratings, terminal numbers, safety symbols and "130B".

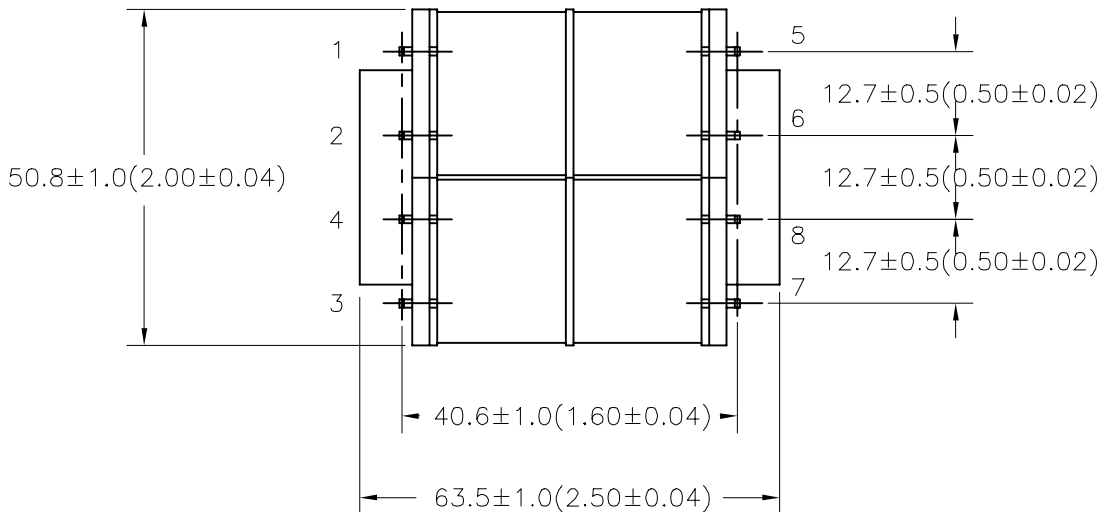
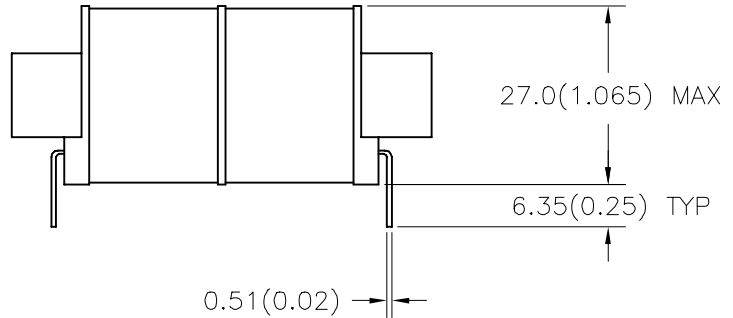
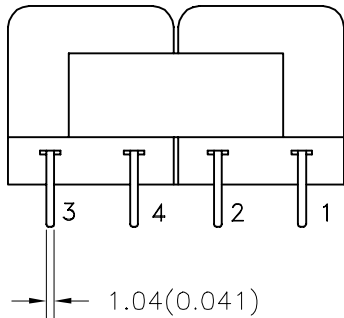
C. Safety:

UL approved, file E145619.
Insulation Class B (130° C) File E92957
CSA Certified, file LR81383-7

D. Schematic Diagram:



E. Mechanical Specifications:



PREPARED: K. Georgeson ENGINEER:	DWG CONTROL NO. P-A1-10603 ACAD\3FL\A1106031.DWG	REV B	3 FLANGE BOBBIN POWER TRANSFORMER	3FL120-100 MODEL SPECIFICATION
APPROVED: T. Sasaki	CONTENTS OF THIS DRAWING ARE SUBJECT TO CHANGE WITHOUT PRIOR NOTICE		TAMURA CORPORATION OF AMERICA 43352 BUSINESS PARK DRIVE, TEMECULA CA., 92590-6624 (909) 699-1270 FAX 9096769482	
D. Suzuki	<small>PROPRIETARY NOTICE: THIS DRAWING PRINT OR DOCUMENT AND SUBJECT MATTER DISCLOSED HEREIN ARE PROPRIETARY ITEMS TO WHICH TAMURA RETAINS THE EXCLUSIVE RIGHT OF DISSEMINATION, REPRODUCTION, MANUFACTURE AND SALE. THIS DRAWING, PRINT OR DOCUMENT IS SUBMITTED IN CONFIDENCE FOR CONSIDERATION BY THE RECIPIENT ALONE UNLESS PERMISSION FOR FURTHER DISCLOSURE IS EXPRESSLY GRANTED IN WRITING.</small>			