

REV. Status

ISSUE 1
3/13/91 TS

ISSUE 2
TEMECULA
WAS CARSON.
UPDATED LABELS
12/15/92 TS

ISSUE 3
REFORMATTED
5/3/95 TS

ISSUE 4
REVISED DIM
50.8(2.00)
WAS
40.6(1.60)
5/11/95 TS

ISSUE 5
ADDED PF12-10
MICROTRAN
10/24/95 TS

LOW PROFILE, THREE FLANGE 12VA POWER TRANSFORMER APPROVED TO UL506 AND CSA C22.2 NO. 66-1988 AND USES A UL CLASS B (130°C) APPROVED INSULATION SYSTEM

A. Electrical Specifications (@ 25 ° C)

1. Input Voltage and Frequency; 115/230V 50/60 Hz
2. Output Voltage; 10V ±5% @ 1.2A load, series
5V ±5% @ 2.4A load, parallel
3. Output Power; 12 VA
4. Insulation Resistance;
100 M Ω MIN @ 500VDC, Pri to Sec, Pri to Core, Sec to Core
5. Hi-Pot; 1500 Vrms 1 minute @ Pri to Sec, Pri to Core
1500 Vrms 1 minute @ Sec to Core
6. Temperature Rating; 130°C (UL Class "B")

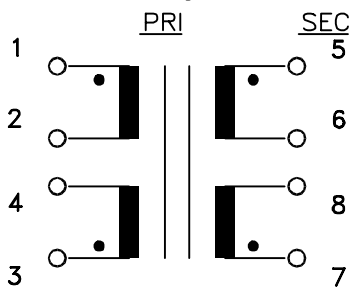


B. Marking; 3FL10-1200, TAMURA TEMECULA CA, MICROTRAN, PF12-10, date code, country of origin, input and output ratings, terminal numbers, safety symbols and "130B".

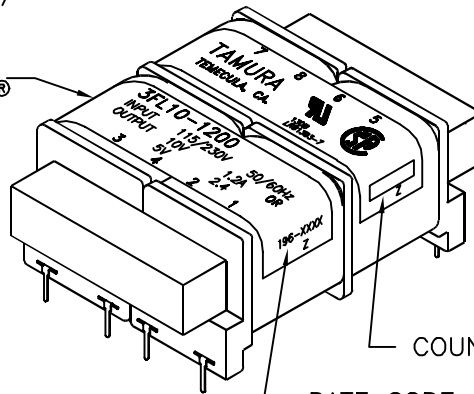
C. Safety:

UL approved, File E145619
Insulation Class B (130° C) File E92957
CSA Certified, File LR81383-7

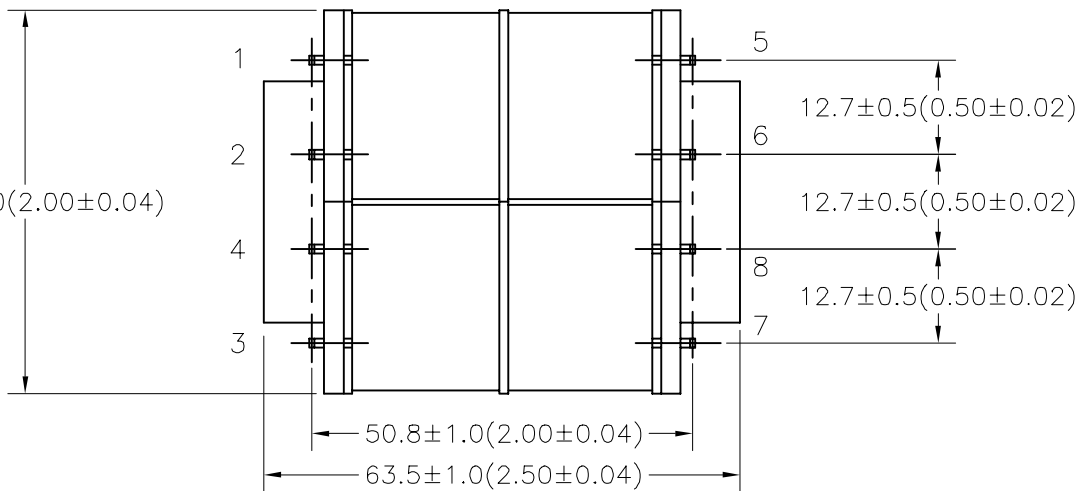
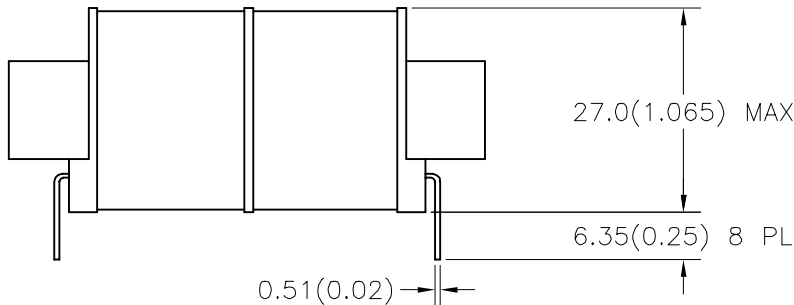
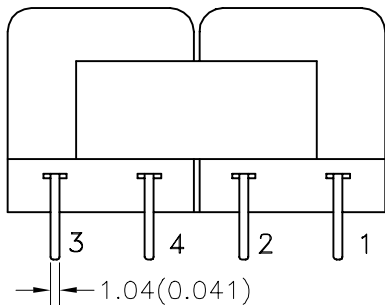
D. Schematic Diagram:



MICROTRAN[®]
PF12-10



E. Mechanical Specifications:



TOLERANCES (mm)
≤ 4 ± 0.2
4 ≤ 20 ± 0.3
20 ≤ 50 ± 0.4

PREPARED BY:

K. Brennan

ENGINEER:

T. Shiozawa

QUALITY CONTROL:

V. Casey

APPROVED:

V. Casey

DWG CONTROL NO. REV
P-A1-10580 D
ACAD\3F\A1105801.DWG

3 FLANGE BOBBIN
POWER TRANSFORMER

3FL10-1200
MODEL SPECIFICATION

CONTENTS OF THIS DRAWING ARE
SUBJECT TO CHANGE WITHOUT
PRIOR NOTICE

TAMURA CORPORATION OF AMERICA
43352 BUSINESS PARK DRIVE, TEMECULA, CA. 92590-6624
(909) 699-1270 FAX 9096769482

DIM: mm(ln) SCL: NONE SH: 1 OF 1

PROPRIETARY NOTICE: THIS DRAWING PRINT OR DOCUMENT AND SUBJECT MATTER DISCLOSED HEREIN ARE PROPRIETARY ITEMS TO WHICH TAMURA RETAINS THE EXCLUSIVE RIGHT OF DISSEMINATION, REPRODUCTION, MANUFACTURE AND SALE. THIS DRAWING, PRINT OR DOCUMENT IS SUBMITTED IN CONFIDENCE FOR CONSIDERATION BY THE RECIPIENT ALONE UNLESS PERMISSION FOR FURTHER DISCLOSURE IS EXPRESSLY GRANTED IN WRITING.

MODEL NUMBER
3FL10-1200