

Line Filter

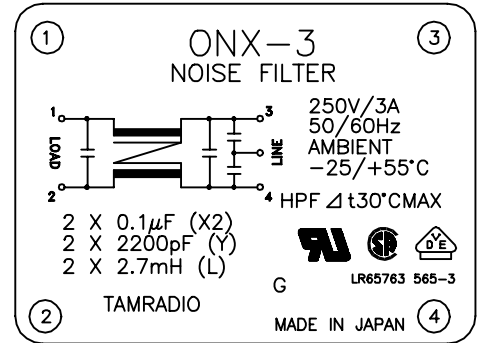
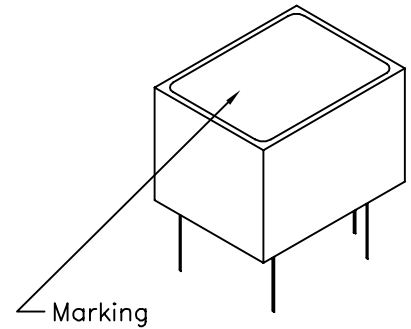
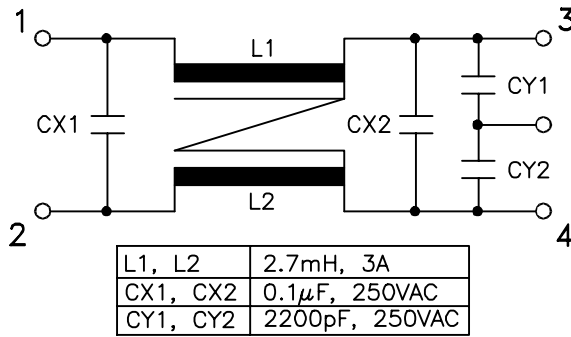
A. Electrical Specifications (@ 25 ° C)

1. Rated Voltage: AC250V
2. Rated Current: 3A
3. Rated Frequency: 50/60Hz
4. Operating Temperature: -25°C ~ +55°C
5. Storage Temperature: -25°C ~ +85°C
6. Attenuation, Normal Mode: 0.5~20MHz, 25dB MIN
7. Attenuation, Common Mode: 0.3~20MHz, 20dB MIN
8. Leakage Current: AC250V, 60Hz, 0.5mA MAX
9. Insulation Resistance: DC500V, 300MΩ MIN
10. Hi Pot: AC1500V, 1 minute
11. DC Resistance: 0.15Ω MAX

B. Marking: ONX-3, date code, and country of origin

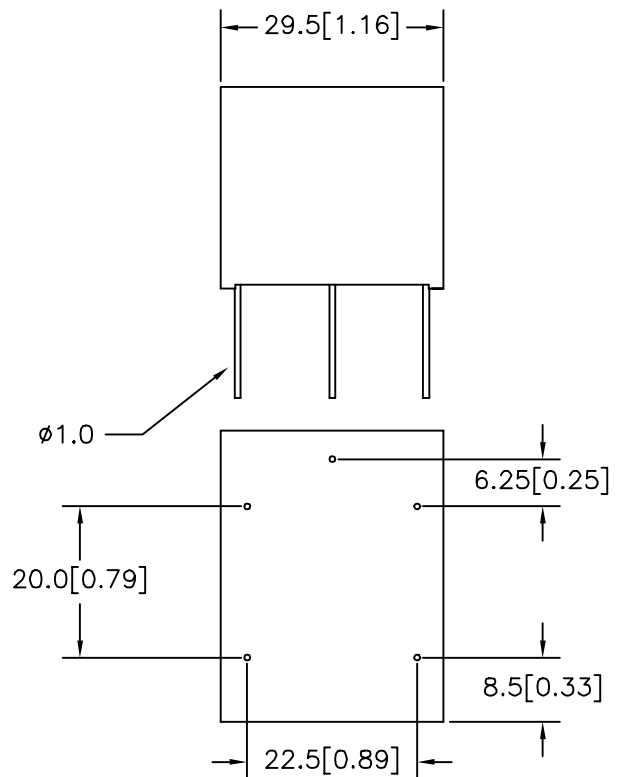
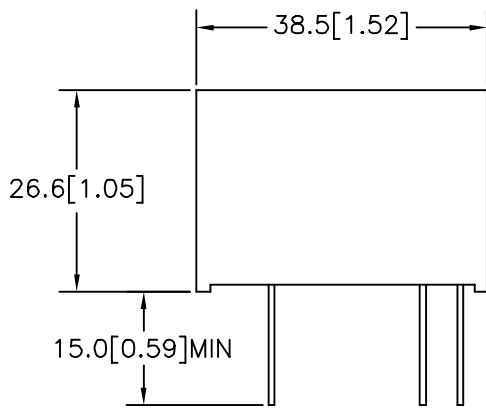
C. Safety: UL1283, CSA C22.2 No. 8, VDE 0565-3

D. Schematic Diagram



E. Mechanical Specifications

All dimensions shown are typical unless otherwise specified.



MODEL NUMBER
ONX-3

PREPARED BY:

D. Rund

ENGINEER:

T. Shiozawa

QUALITY CONTROL:

D. Kelley

APPROVED:

D. Kelley

DWG CONTROL NO.
P-A1-12434
ACAD\MXFMR\A1124341.DWG

REV

-

NOISE FILTER

ONX-3

TAMURA CORPORATION OF AMERICA

43352 BUSINESS PARK DRIVE, TEMECULA, CA. 92590-6624
(909) 699-1270 FAX 9096769482

ONX-3

MODEL SPECIFICATION

DIM: MM(IN) SCL: 1/1 SH: 1 OF 1

PROPRIETARY NOTICE: THIS DRAWING PRINT OR DOCUMENT AND SUBJECT MATTER DISCLOSED HEREIN ARE PROPRIETARY ITEMS TO WHICH TAMURA RETAINS THE EXCLUSIVE RIGHT OF DISSEMINATION, REPRODUCTION, MANUFACTURE AND SALE. THIS DRAWING, PRINT OR DOCUMENT IS SUBMITTED IN CONFIDENCE FOR CONSIDERATION BY THE RECIPIENT ALONE UNLESS PERMISSION FOR FURTHER DISCLOSURE IS EXPRESSLY GRANTED IN WRITING.