

REV. Status

ISSUE 1
3/2/792 YN

ISSUE 2
TEMECULA
WAS CARSON
UPDATED FORMAT
04/02/96 DS

1. Electrical specifications

- 1.1 Input voltage: AC 120V ±10% 60 Hz ±0.5 Hz
- 1.2 Output voltage and current: 7V at 1200mA

Vin	1200mA Load	120mA Load
108V	5.7 VDC MIN	--
120V	6.5-7.5 VDC	10.2 VDC MAX
132V	--	11.4 VDC MAX

NOTE: Specification applies after 10 minutes warm-up with 1200mA load and at any operating temperature.

- 1.3 Operating temperature: 0 ° C to +40 ° C
- 1.4 Storage temperature: -20 ° C to +85 ° C
- 1.5 Operating and Storage Humidity: 0 to 95% without condensation
- 1.6 Withstand voltage: AC 1500Vrms 1 minute @ input to output

2. Typical performance data test Condition: Ta= +25 ° C measured after 10 minute warm-up with input at 120V 60Hz

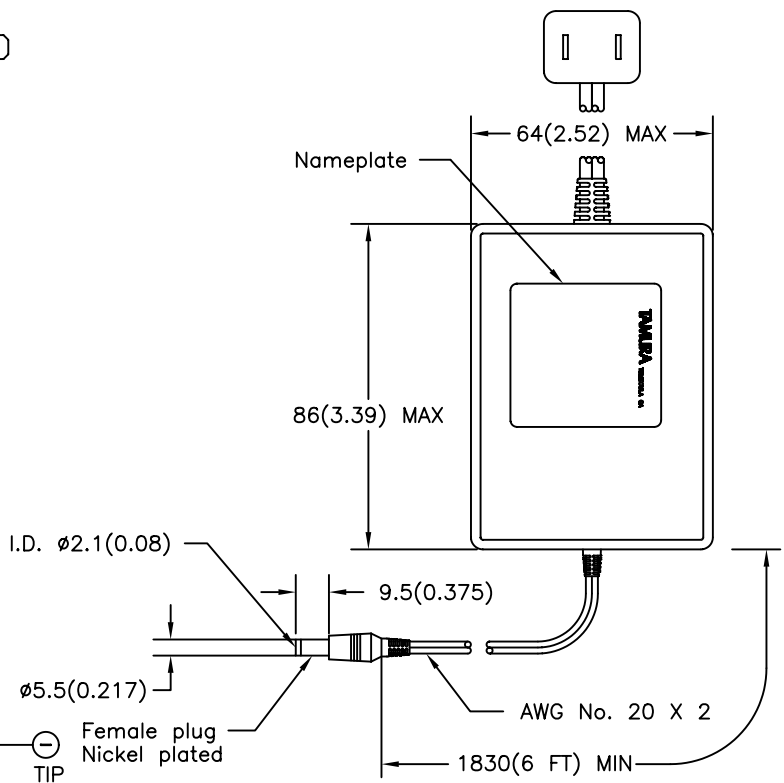
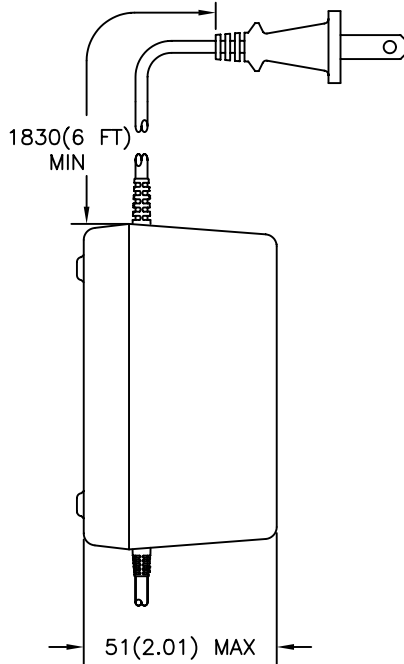
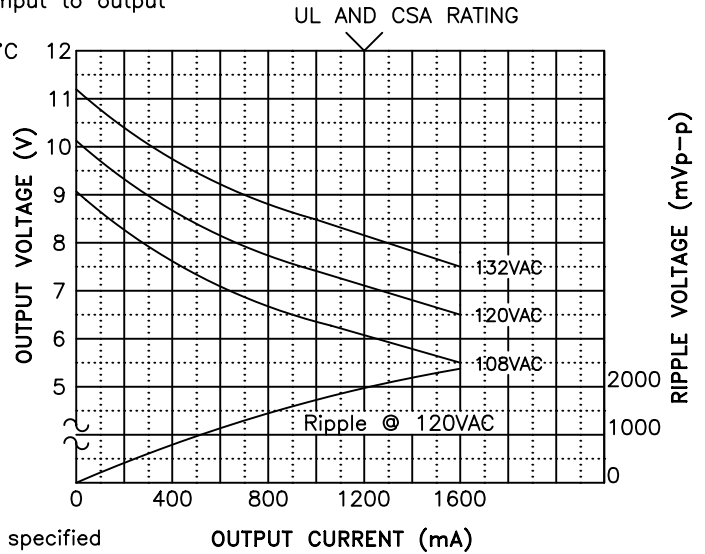
3. Safety agencies

UL File No. E50290
CSA File No. LR62147

4. Nameplate: See drawing P-N1-11240 for detail

5. Mechanical Specifications

All dimensions shown are nominal unless otherwise specified



Polarity (+) (●) (-)
BARREL TIP
Female plug Nickel plated

REFERENCE: MATING CONNECTOR 722A SWITCHCRAFT, HEC0470-01-230 HOSHIDEN

PREPARED BY:

K. Brennan

ENGINEER:

D. Suzuki

QUALITY CONTROL:

D. Kelley

APPROVED:

M. Ong

DWG CONTROL NO. P-A7-00073
ACAD\PS\A7000731.DWG

REV A

UL/CSA DC 7V 1200mA
POWER SUPPLY

TAMURA CORPORATION OF AMERICA
43352 BUSINESS PARK DRIVE, TEMECULA, CA. 92590-6624
(909) 699-1270 FAX 9096769482

521A4318

MODEL SPECIFICATION

DIM: mm(In) SCL: NONE SH: 1 OF 1

PROPRIETARY NOTICE: THIS DRAWING PRINT OR DOCUMENT AND SUBJECT MATTER DISCLOSED HEREIN ARE PROPRIETARY ITEMS TO WHICH TAMURA RETAINS THE EXCLUSIVE RIGHT OF DISSEMINATION, REPRODUCTION, MANUFACTURE AND SALE. THIS DRAWING, PRINT OR DOCUMENT IS SUBMITTED IN CONFIDENCE FOR CONSIDERATION BY THE RECIPIENT ALONE UNLESS PERMISSION FOR FURTHER DISCLOSURE IS EXPRESSLY GRANTED IN WRITING.