

REV. Status

ISSUE 1
2/17/92 DS

ISSUE 2
TEMECULA
WAS CARSON
UPDATED FORMAT
04/12/96 DS

1. Electrical specifications

- 1.1 Input voltage: AC 120V ±10% 60 Hz ±0.5 Hz
- 1.2 Output voltage and current: DC 12V at 150mA

V _{in}	100% Load	10% Full Load
108	9.5 VDC MIN	-
120	11.2-12.8 VDC	17.0 VDC MAX
132	-	19.0 VDC MAX

NOTE: Specification applies after 10 minutes warm-up with 150mA load and at any operating temperature

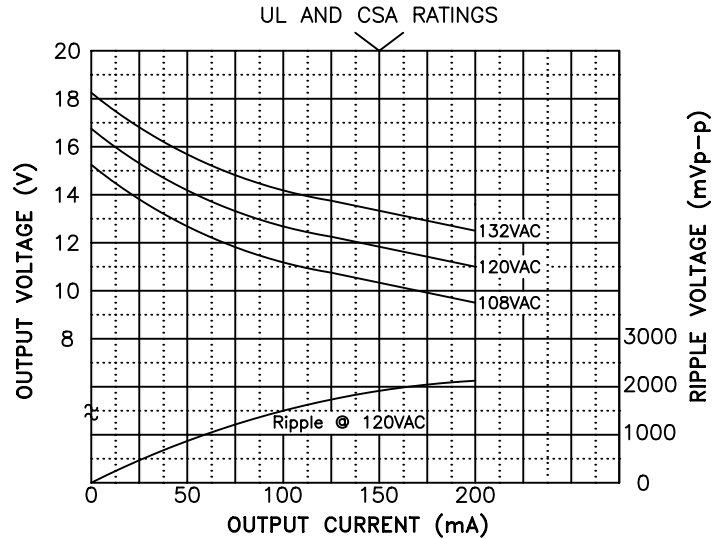
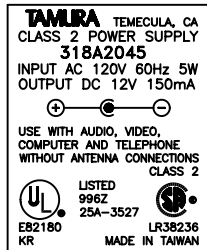
- 1.3 Operating temperature: 0 ° C to +40 ° C
- 1.4 Storage temperature: -20 ° C to +85 ° C
- 1.5 Operating and Storage Humidity: 0 to 95% without condensation
- 1.6 Withstand voltage: AC 1500Vrms 1 minute @ input to output

2. Typical performance data test condition: T_a = +25° C, measured after 10 minute warm-up with input at 120V 60Hz

3. Safety agencies:

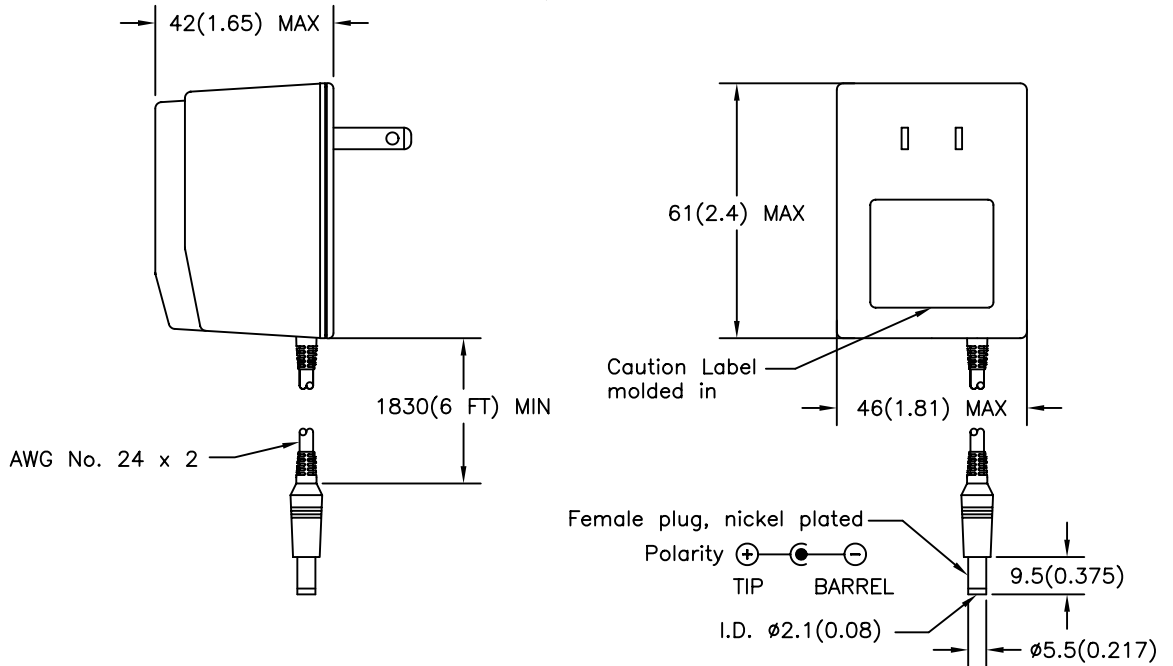
UL File No. E82180
Transformer UL1411, recognition No. 3527
CSA File No. LR38236

4. Nameplate: Information is as follows:
Metallic letters on a black background



5. Mechanical Specifications

All dimensions shown are nominal unless otherwise specified



REFERENCE: MATING CONNECTOR 722A SWITCHCRAFT, HEC0470-01-230 HOSIDEN

PREPARED BY:

K. Brennan

ENGINEER:

D. Suzuki

QUALITY CONTROL:

D. Kelley

APPROVED:

M. Ong

DWG CONTROL NO. P-A7-00060 ACAD\PS\A7000601.DWG	REV A	UL/CSA DC 12V 150mA CLASS 2 POWER SUPPLY	318A2045 MODEL SPECIFICATION	
CONTENTS OF THIS DRAWING ARE SUBJECT TO CHANGE WITHOUT PRIOR NOTICE		TAMURA CORPORATION OF AMERICA 43352 BUSINESS PARK DRIVE, TEMECULA, CA. 92590-6624 (909) 699-1270 FAX 9096769482		
PROPRIETARY NOTICE: THIS DRAWING PRINT OR DOCUMENT AND SUBJECT MATTER DISCLOSED HEREIN ARE PROPRIETARY ITEMS TO WHICH TAMURA RETAINS THE EXCLUSIVE RIGHT OF DISSEMINATION, REPRODUCTION, MANUFACTURE AND SALE. THIS DRAWING, PRINT OR DOCUMENT IS SUBMITTED IN CONFIDENCE FOR CONSIDERATION BY THE RECIPIENT ALONE UNLESS PERMISSION FOR FURTHER DISCLOSURE IS EXPRESSLY GRANTED IN WRITING.				