

REV. Status

ISSUE 1
7/13/92 YN

ISSUE 2
ADDED 7.5V
OUTPUT
1/5/93 DS

ISSUE 3
REFORMATTED
7/11/94 DS

1. Electrical specifications

- 1.1 Input voltage: AC 120V ±10% 60 Hz ±0.5 Hz
- 1.2 Output voltage and current: DC 6V at 200mA or DC 7.5V at 100mA

V _{in}	200mA Load	100mA Load	10mA Full Load
108	4.7 VDC MIN	6.1 VDC MIN	-
120	5.6-6.3 VDC	7.0-7.9 VDC	10.3 VDC MAX
132	-	-	11.4 VDC MAX

NOTE: Specification applies after 10 minutes warm-up with 200mA load and at any operating temperature

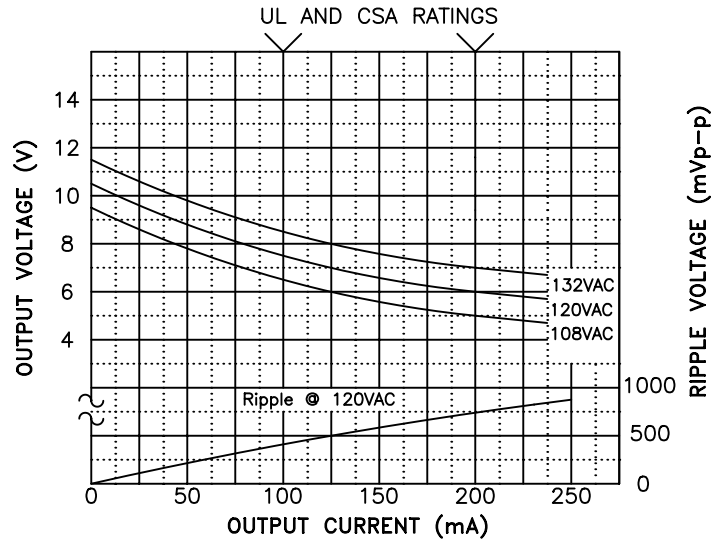
- 1.3 Operating temperature: 0 °C to +40 °C
- 1.4 Storage temperature: -20 °C to +85 °C
- 1.5 Operating and Storage Humidity: 0 to 95% without condensation
- 1.6 Withstand voltage: AC 1500Vrms 1 minute @ input to output

2. Typical performance data test condition: Ta = +25° C, measured after 10 minute warm-up with input at 120V 60Hz

3. Safety agencies

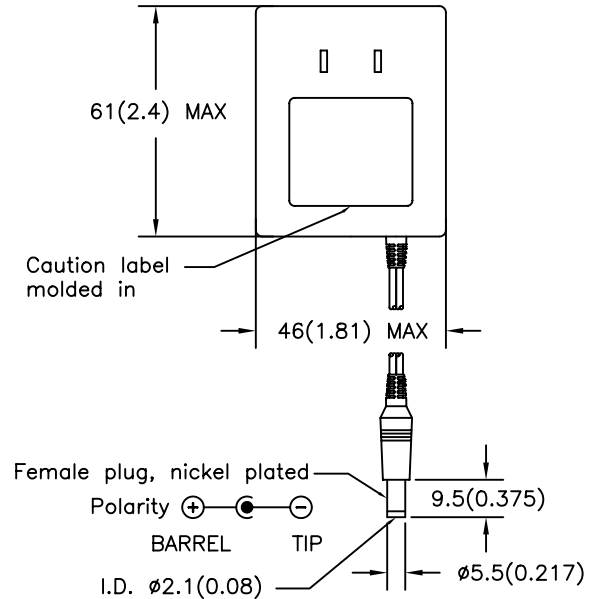
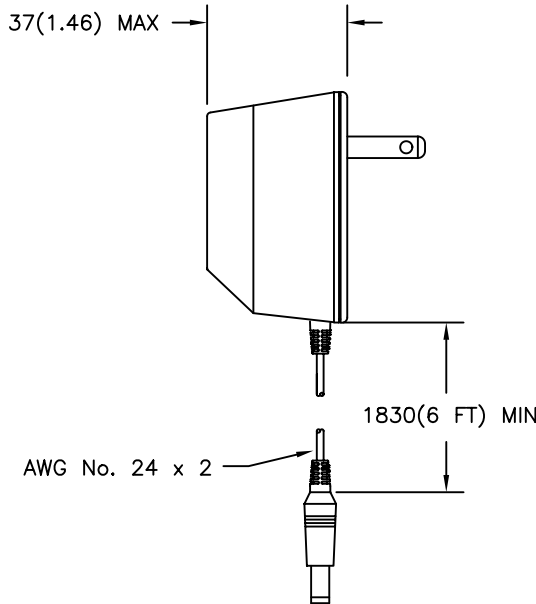
UL File No. E82180
Transformer UL1411, recognition No. 3511
CSA File No. LR38236

4. Nameplate: See drawing P-N1-11079 for detail



5. Mechanical Specifications

All dimensions shown are nominal unless otherwise specified



PREPARED BY:

DWG CONTROL NO. P-A7-10715
ACAD\PS\A7107151.DWG

REV

B

UL/CSA DC 6V 200mA/7.5V 100mA
CLASS 2 POWER SUPPLY

310A2223

ENGINEER:

D. Suzuki

CONTENTS OF THIS DRAWING ARE SUBJECT TO CHANGE WITHOUT PRIOR NOTICE

TAMURA CORPORATION OF AMERICA
43352 BUSINESS PARK DRIVE, TEMECULA, CA. 92590-6624
(909) 699-1270 FAX 9096769482

MODEL SPECIFICATION

DIM: mm(In) SCL: NONE SH: 1 OF 1

APPROVED:

D. Suzuki

PROPRIETARY NOTICE: THIS DRAWING PRINT OR DOCUMENT AND SUBJECT MATTER DISCLOSED HEREIN ARE PROPRIETARY ITEMS TO WHICH TAMURA RETAINS THE EXCLUSIVE RIGHT OF DISSEMINATION, REPRODUCTION, MANUFACTURE AND SALE. THIS DRAWING, PRINT OR DOCUMENT IS SUBMITTED IN CONFIDENCE FOR CONSIDERATION BY THE RECIPIENT ALONE UNLESS PERMISSION FOR FURTHER DISCLOSURE IS EXPRESSLY GRANTED IN WRITING.