

REV. Status

ISSUE 1  
12/20/94 DS

ISSUE 2  
TEMECULA  
WAS CARSON.  
TO NP: ADDED  
"REGULATED".  
ADDED  
"MOLDED IN" TO  
CAUTION LABEL  
3/1/94 DS

ISSUE 3  
DELETED NP.  
REFORMATTED  
8/25/95 DS

1. Electrical specifications

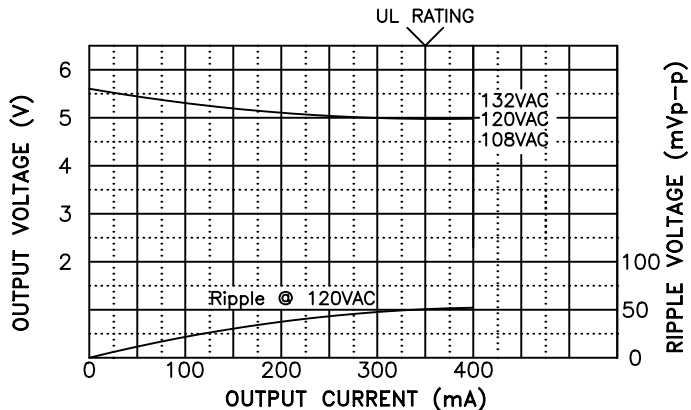
- 1.1 Input voltage: AC 120V ±10% 60 Hz ±0.5 Hz
- 1.2 Output voltage and current: DC 5V at 350mA

V <sub>in</sub>	100% Load	10% Full Load
108	4.7 VDC MIN	-
120	4.75-5.25 VDC	-
132	-	5.8 VDC MAX

NOTE: Specification applies after 10 minutes warm-up with 350mA load and at any operating temperature

- 1.3 Operating temperature: 0 ° C to +40 ° C
- 1.4 Storage temperature: -20 ° C to +85 ° C
- 1.5 Operating and Storage Humidity: 0 to 95% without condensation
- 1.6 Withstand voltage: AC 1500Vrms 1 minute @ input to output

2. Typical performance data test condition: Ta = +25 °C measured after 10 minute warm-up with input at 120V 60Hz



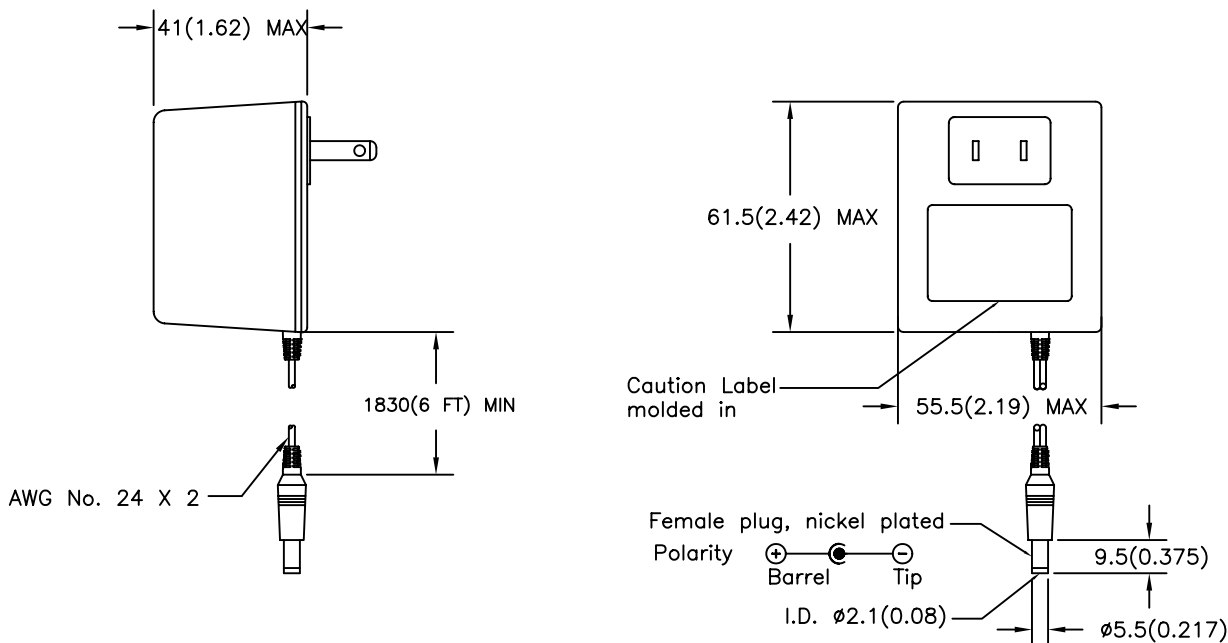
3. Safety agencies

UL file No. E82180  
Transformer UL1411 Recognition No. 4182H

4. Nameplate: See drawing P-N1-10934 for detail

5. Mechanical Specifications

All dimensions shown are nominal unless otherwise specified



PREPARED BY:

K. Brennan

ENGINEER:

D. Suzuki

QUALITY CONTROL:

V. Casey

APPROVED:

V. Casey

DWG CONTROL NO.  
P-A7-10616  
ACAD\PS\A7106161.DWG

REV  
B

UL DC REGULATED 5V 350mA  
POWER SUPPLY

**TAMURA CORPORATION OF AMERICA**  
43352 BUSINESS PARK DRIVE, TEMECULA, CA. 92590-6624  
(909) 699-1270 FAX 9096769482

**420AR4203**

MODEL SPECIFICATION

DIM: mm(In) SCL: NONE SH: 1 OF 1

PROPRIETARY NOTICE: THIS DRAWING PRINT OR DOCUMENT AND SUBJECT MATTER DISCLOSED HEREIN ARE PROPRIETARY ITEMS TO WHICH TAMURA RETAINS THE EXCLUSIVE RIGHT OF DISSEMINATION, REPRODUCTION, MANUFACTURE AND SALE. THIS DRAWING, PRINT OR DOCUMENT IS SUBMITTED IN CONFIDENCE FOR CONSIDERATION BY THE RECIPIENT ALONE UNLESS PERMISSION FOR FURTHER DISCLOSURE IS EXPRESSLY GRANTED IN WRITING.