

REV. Status

AC-AC UL AND CSA ADAPTOR 18VCT 880mA

REVISION -
04/22/92 YN

- A. Electrical specifications
 1. Input voltage: AC 120V ±10% 60 Hz ±0.5 Hz
 2. Output voltage and current: AC 18V at 880mA

REVISION A
REFORMATTED
TEMECULA
WAS CARSON
06/17/97 DS

V _{in}	880mA Load	88mA Load
108	14.7 VAC MIN	-
120	16.8-18.7 VAC	20.8 VAC MAX
132	-	22.7 VAC MAX

REVISION B
REFORMATTED
06/17/97 DS

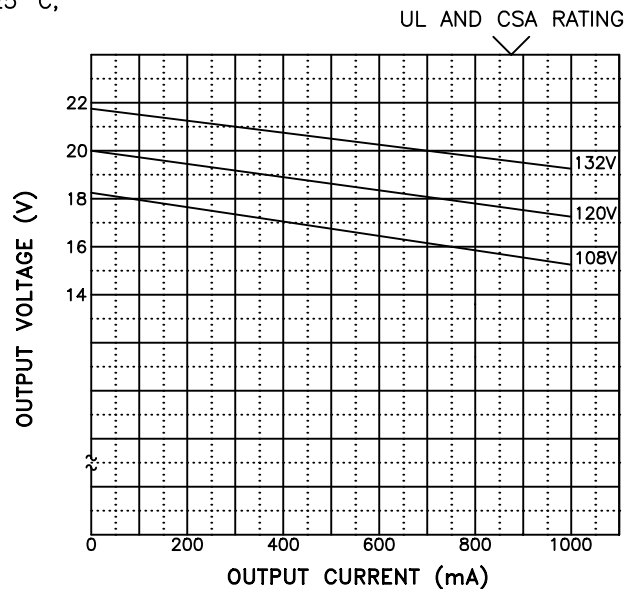
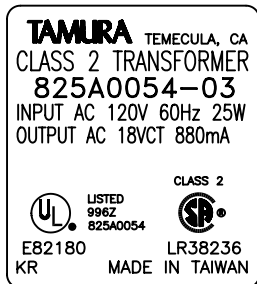
NOTE: Specification applies after 10 minutes warm-up with 880mA load and at any operating temperature

3. Operating temperature: 0 ° C to +40 ° C
 4. Storage temperature: -20 ° C to +85 ° C
 5. Operating and Storage Humidity: 0 to 95% without condensation
 6. Withstand voltage: AC 1500Vrms 1 minute @ input to output
 7. Input earth prong is connected to output "G" terminal

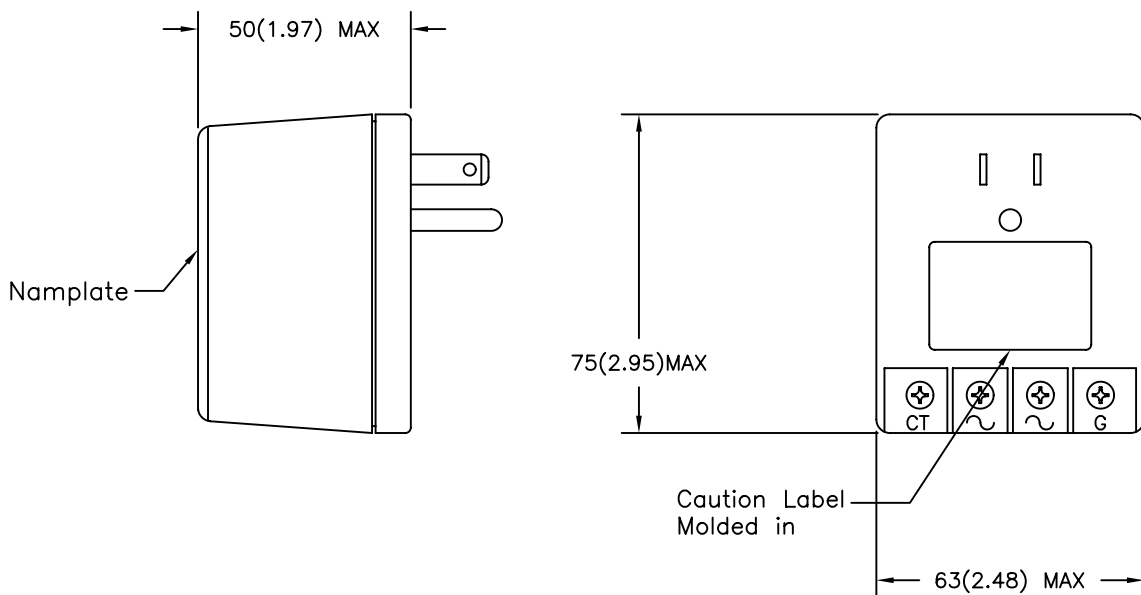
- B. Typical performance data test condition: Ta = +25° C, measured after 10 minute warm-up with input at 120V 60Hz

- C. Safety agencies
 UL File No. E82180
 CSA File No. LR38236

- D. Nameplate: Information is as follows:
 Metallic letters on a black background



- E. Mechanical Specifications;
 All dimensions shown are nominal unless otherwise specified



TOLERANCES (mm)
≤ 4 ± 0.2
4 ≤ 20 ± 0.3
20 ≤ 50 ± 0.4

PREPARED BY:

K. Brennan
ENGINEER:

D. Suzuki
QUALITY CONTROL:

M. Ong
APPROVED:

M. Ong

DRAWING CONTROL NO.	REV	MODEL DESCRIPTION	MODEL SPECIFICATION
P-A7-10668 ACAD\PS\A7106681.DWG	B	UL/CSA AC 18VCT 880mA POWER SUPPLY	825A0054-03
CONTENTS OF THIS DRAWING ARE SUBJECT TO CHANGE WITHOUT PRIOR NOTICE		TAMURA CORPORATION OF AMERICA 43352 BUSINESS PARK DRIVE, TEMECULA, CA. 92590-6624 (909) 699-1270 FAX 9096769482	
		DIM: mm(In)	SCL: NONE SH: 1 OF 1
PROPRIETARY NOTICE: THIS DRAWING PRINT OR DOCUMENT AND SUBJECT MATTER DISCLOSED HEREIN ARE PROPRIETARY ITEMS TO WHICH TAMURA RETAINS THE EXCLUSIVE RIGHT OF DISSEMINATION, REPRODUCTION, MANUFACTURE AND SALE. THIS DRAWING, PRINT OR DOCUMENT IS SUBMITTED IN CONFIDENCE FOR CONSIDERATION BY THE RECIPIENT ALONE UNLESS PERMISSION FOR FURTHER DISCLOSURE IS EXPRESSLY GRANTED IN WRITING.			