

ISSUE 2
REVISED AND
REDRAWN ON
CAD/CAM
2/3/94 TS

ISSUE 3
REVISED
PIN NUMBERS
6/6/95 TS

TELECOMMUNICATION COUPLING MINIATURE ENCAPSULATED TRANSFORMER DESIGNED TO OPERATE 50mW MAX IN PRIMARY AND REFLECT A PRIMARY SOURCE IMPEDANCE OF APPROXIMATELY 600Ω WITH 600Ω CT, 150Ω SPLIT LOAD ON SECONDARY.

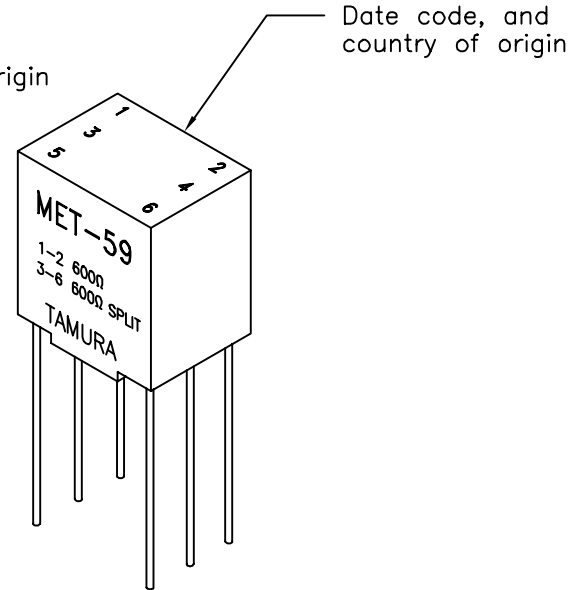
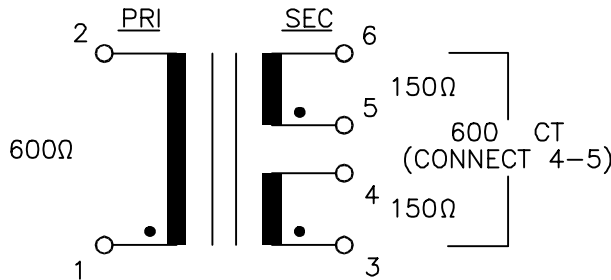
MODEL NUMBER
MET-59

A. Electrical Specifications (@ 20 ° C)

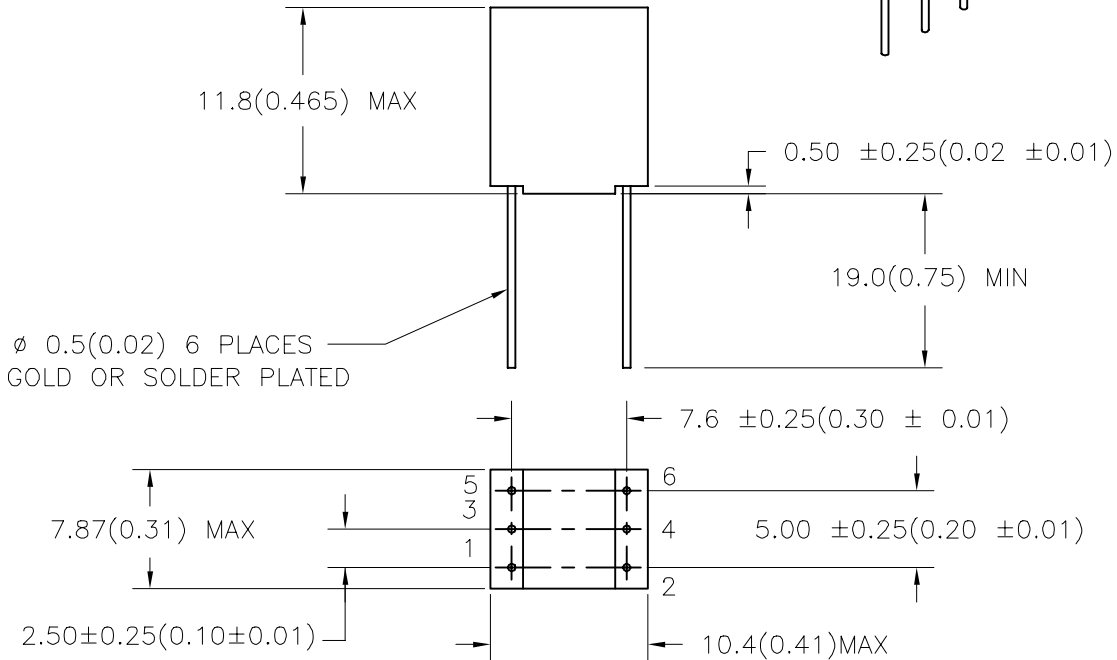
1. Pri Source Impedance; 600Ω
2. Sec Load Impedance; 600Ω CT, 150Ω SPLIT
3. Pri DC Current; 3 mA MAX
4. Operating Level; 50 mW MAX @ 300 Hz
5. Frequency Response (relative to 1 KHz);
±2.0 dB, @ 300 Hz to 100 KHz
6. Longitudinal Balance; 60 dB MIN @ 1 KHz
7. DC Resistance;
(1-2) 70Ω ±20%
(3-6) 95Ω ±20%
8. Turns Ratio; (1-2) : (3-4) : (5-6) = 2 : 1.00 : 1.00 ±2%
9. Dielectric Strength;
1000 Vrms 0.5 minute @ Pri - Sec

B. Marking; (Nearside) As shown
(Farside) Date code and country of origin

C. Schematic Diagram



D. Mechanical Specifications



| | | | | | | |
|----------------------------|--|-----------------|--|--------------------------------------|-----------|------------|
| PREPARED BY: K. Brennan | DWG CONTROL NO. P-A1-10255 ACAD\XFMR\A1102551.DWG | REV B | TELECOMMUNICATION COUPLING MINIATURE ENCAPSULATED TRANSFORMER | MET-59 MODEL SPECIFICATION | | |
| ENGINEER: T. Shiozawa | CONTENTS OF THIS DRAWING ARE SUBJECT TO CHANGE WITHOUT PRIOR NOTICE | | TAMURA CORPORATION OF AMERICA 43352 BUSINESS PARK DRIVE, TEMECULA, CA. 92590-6624 (909) 699-1270 FAX 9096769482 | | | |
| APPROVED: V. Casey | PROPRIETARY NOTICE: THIS DRAWING PRINT OR DOCUMENT AND SUBJECT MATTER DISCLOSED HEREIN ARE PROPRIETARY ITEMS TO WHICH TAMURA RETAINS THE EXCLUSIVE RIGHT OF DISSEMINATION, REPRODUCTION, MANUFACTURE AND SALE. THIS DRAWING, PRINT OR DOCUMENT IS SUBMITTED IN CONFIDENCE FOR CONSIDERATION BY THE RECIPIENT ALONE UNLESS PERMISSION FOR FURTHER DISCLOSURE IS EXPRESSLY GRANTED IN WRITING. | | | DIM: mm(In) | SCL: NONE | SH: 1 OF 1 |