

TELECOMMUNICATION COUPLING MINIATURE ENCAPSULATED TRANSFORMER DESIGNED TO OPERATE 50mW MAX IN PRIMARY AND REFLECT A PRIMARY SOURCE IMPEDANCE OF APPROXIMATELY 150Ω WITH 12Ω LOAD ON SECONDARY.

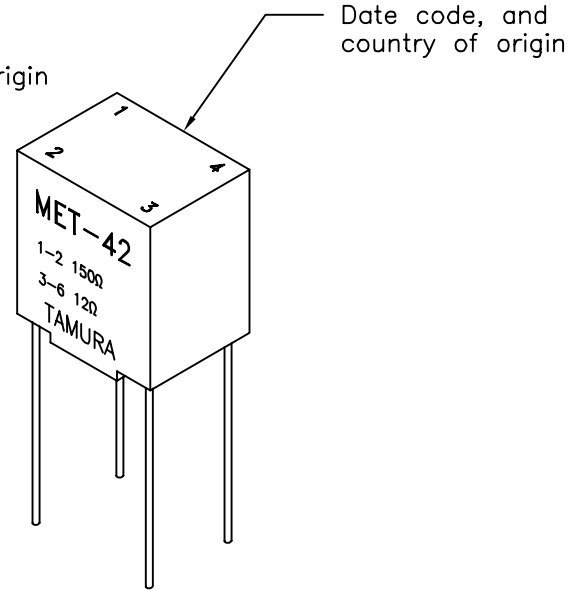
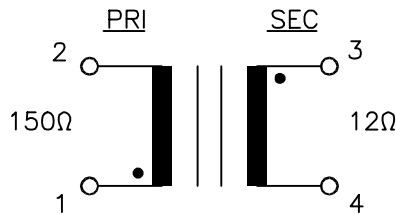
MODEL NUMBER  
**MET-42**

A. Electrical Specifications (@ 20 ° C)

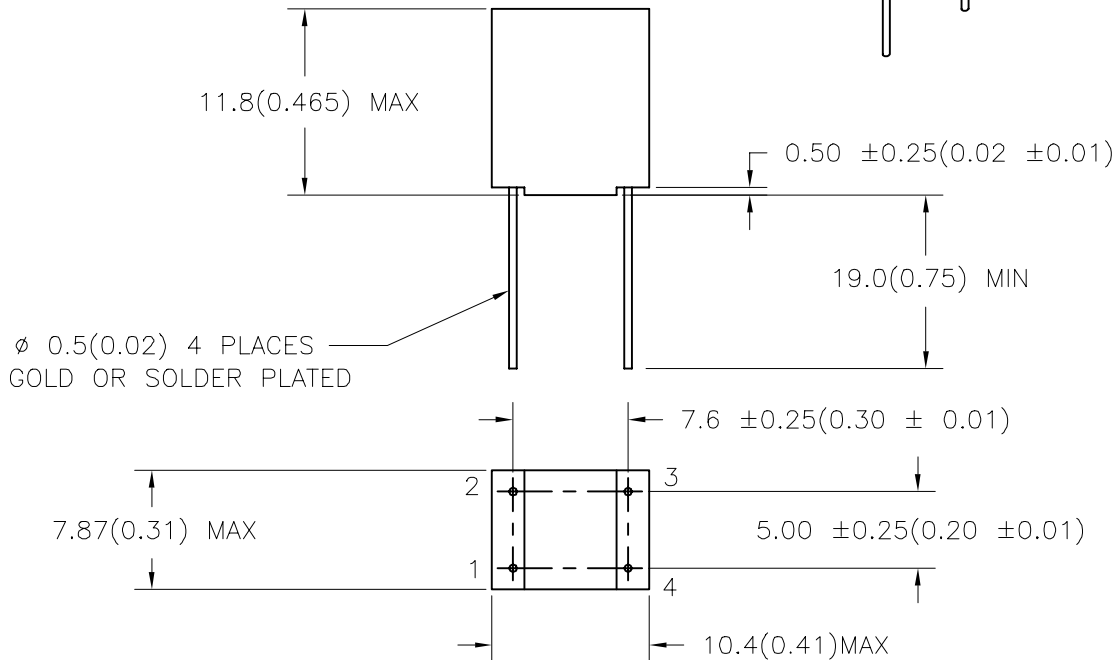
1. Pri Source Impedance; 150Ω
2. Sec Load Impedance; 12Ω
3. Pri DC Current; 10 mA MAX
4. Operating Level; 50 mW MAX @ 300 Hz
5. Frequency Response (relative to 1 KHz);  
±2.0 dB, @ 300 Hz to 100 KHz
6. Longitudinal Balance; 60 dB MIN @ 1 KHz
7. DC Resistance;  
(1-2) 20Ω ±20%  
(3-6) 2.5Ω ±20%
8. Turns Ratio; (1-2) : (3-4) = 3.54 : 1.00 ±2%
9. Dielectric Strength;  
500 Vrms 0.5 minute @ Pri - Sec

B. Marking; (Nearside) As shown  
(Farside) Date code and country of origin

C. Schematic Diagram



D. Mechanical Specifications



PREPARED BY: K. Brennan	DWG CONTROL NO. P-A1-11305 ACAD\XFMR\A1113051.DWG	REV -	TELECOMMUNICATION COUPLING MINIATURE ENCAPSULATED TRANSFORMER	<b>MET-42</b> MODEL SPECIFICATION		
ENGINEER: T. Shiozawa	CONTENTS OF THIS DRAWING ARE SUBJECT TO CHANGE WITHOUT PRIOR NOTICE		TAMURA CORPORATION OF AMERICA 43352 BUSINESS PARK DRIVE, TEMECULA, CA. 92590-6624 (909) 699-1270 FAX 9096769482			DIM: mm(In)
APPROVED: V. Casey	PROPRIETARY NOTICE: THIS DRAWING PRINT OR DOCUMENT AND SUBJECT MATTER DISCLOSED HEREIN ARE PROPRIETARY ITEMS TO WHICH TAMURA RETAINS THE EXCLUSIVE RIGHT OF DISSEMINATION, REPRODUCTION, MANUFACTURE AND SALE. THIS DRAWING, PRINT OR DOCUMENT IS SUBMITTED IN CONFIDENCE FOR CONSIDERATION BY THE RECIPIENT ALONE UNLESS PERMISSION FOR FURTHER DISCLOSURE IS EXPRESSLY GRANTED IN WRITING.					