

REV. Status

ISSUE 2  
REVISED AND  
REDRAWN ON  
CAD/CAM  
03/28/96 TS

TELECOMMUNICATION COUPLING MINIATURE ENCAPSULATED TRANSFORMER DESIGNED TO OPERATE 50mW MAX IN PRIMARY AND REFLECT A PRIMARY SOURCE IMPEDANCE OF APPROXIMATELY 600Ω WITH 600Ω CT, 150Ω SPLIT LOAD ON SECONDARY.

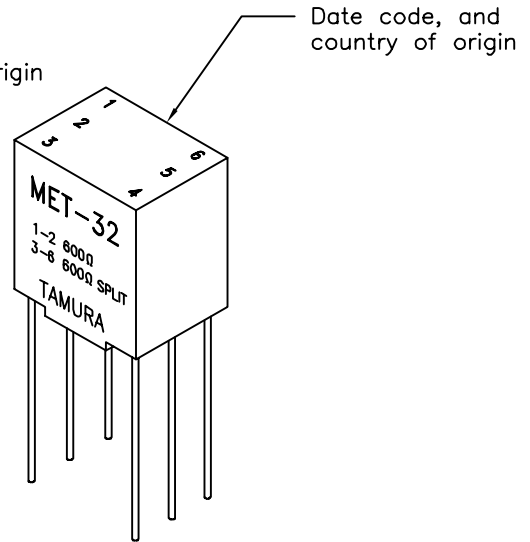
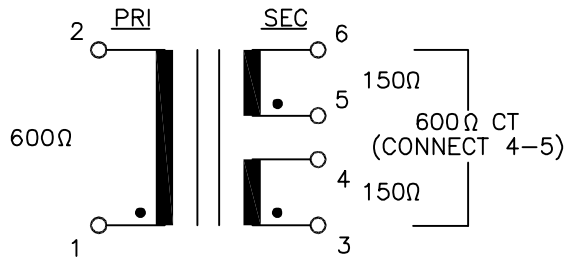
MODEL NUMBER  
**MET-32**

A. Electrical Specifications (@ 20 ° C)

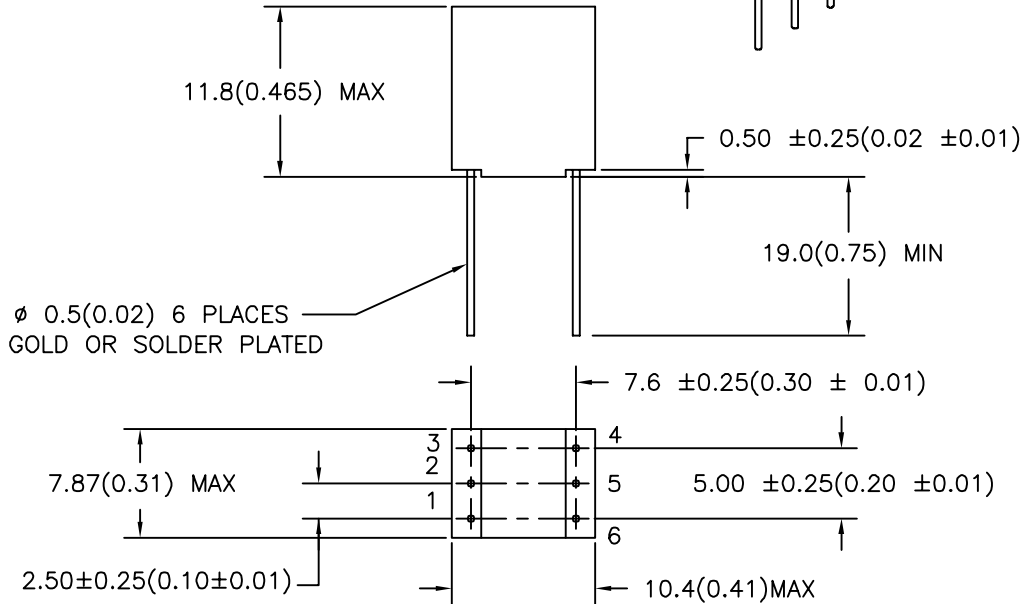
1. Pri Source Impedance; 600Ω
2. Sec Load Impedance; 600Ω CT, 150Ω SPLIT
3. Pri DC Current; 3 mA MAX
4. Operating Level; 50 mW MAX @ 300 Hz
5. Frequency Response (relative to 1 KHz);  
±2.0 dB, @ 300 Hz to 100 KHz
6. Longitudinal Balance; 60 dB MIN @ 1 KHz
7. DC Resistance;  
(1-2) 70Ω ±20%  
(3-6) 95Ω ±20%
8. Turns Ratio; (1-2) : (3-4) : (5-6) = 2 : 1.00 : 1.00 ±2%
9. Dielectric Strength;  
1000 Vrms 0.5 minute @ Pri - Sec

B. Marking; (Nearside) As shown  
(Farside) Date code and country of origin

C. Schematic Diagram



D. Mechanical Specifications



PREPARED BY:

K. Brennan  
ENGINEER:

T. Shiozawa

QUALITY CONTROL:

M. Ong

APPROVED:

M. Ong

DWG CONTROL NO.  
P-A1-10329  
ACAD\XFMR\A1103291.DWG

REV  
A

TELECOMMUNICATION COUPLING  
MINIATURE ENCAPSULATED TRANSFORMER

**TAMURA CORPORATION OF AMERICA**  
43352 BUSINESS PARK DRIVE, TEMECULA, CA. 92590-6624  
(909) 699-1270 FAX 9096769482

**MET-32**

MODEL SPECIFICATION

DIM: mm(In) SCL: NONE SH: 1 OF 1

PROPRIETARY NOTICE: THIS DRAWING PRINT OR DOCUMENT AND SUBJECT MATTER DISCLOSED HEREIN ARE PROPRIETARY ITEMS TO WHICH TAMURA RETAINS THE EXCLUSIVE RIGHT OF DISSEMINATION, REPRODUCTION, MANUFACTURE AND SALE. THIS DRAWING, PRINT OR DOCUMENT IS SUBMITTED IN CONFIDENCE FOR CONSIDERATION BY THE RECIPIENT ALONE UNLESS PERMISSION FOR FURTHER DISCLOSURE IS EXPRESSLY GRANTED IN WRITING.