

REV. Status

REVISION A
REVISED AND
REDRAWN ON
CAD/CAM
02/26/92 TS

REVISION B
SCHEM REV
06/03/92 TS

REVISION C
NEW FORMAT
TEMECULA
WAS CARSON
ADDED PM33-M
07/08/96 TS

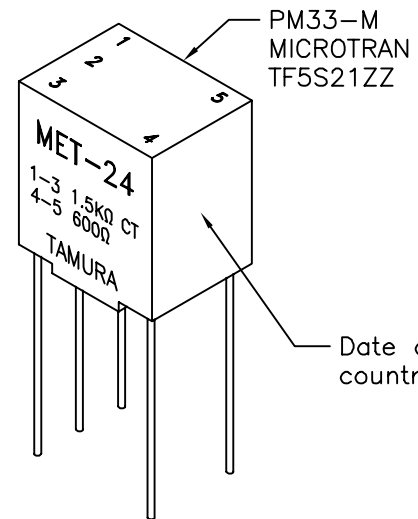
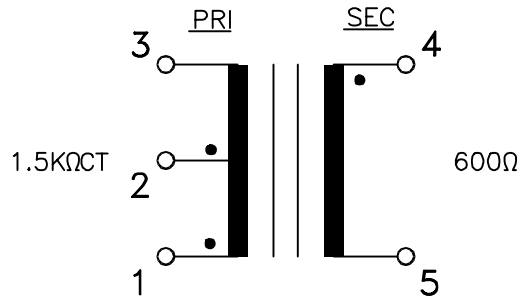
MODEL NUMBER
MET-24

A. Electrical Specifications (@ 20 ° C)

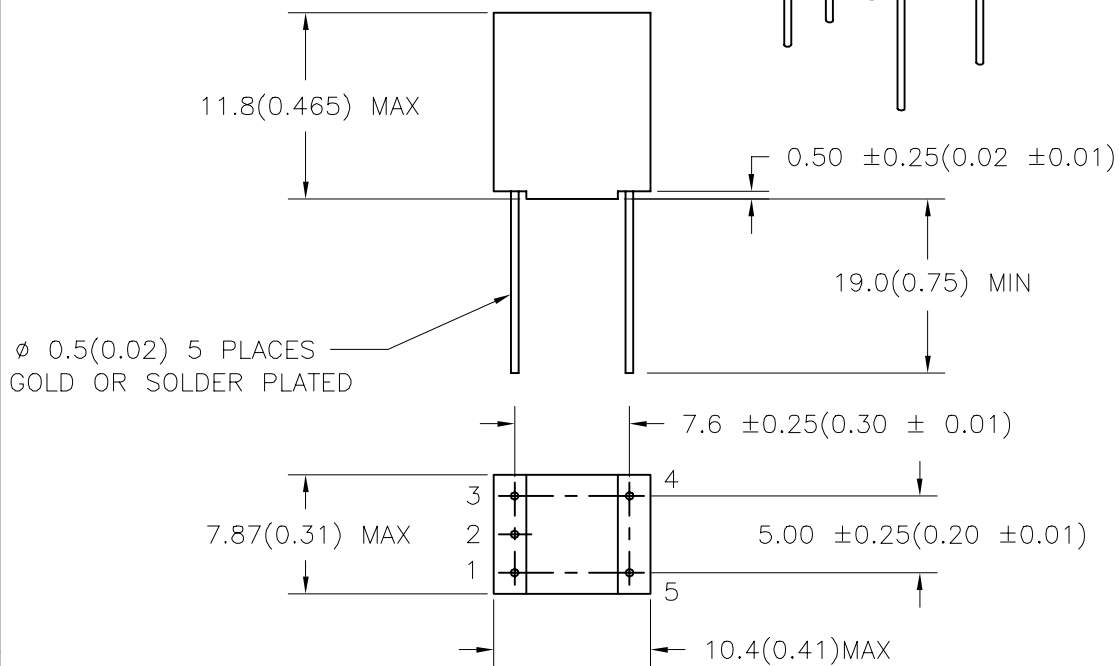
1. Pri Source Impedance; 1.5K Ω
2. Sec Load Impedance; 600 Ω
3. Pri DC Current; 3 mA MAX
4. Operating Level; 50 mW MAX @ 300 Hz
5. Insertion Loss; 2.0 dB MAX @ 1 KHz, 0 dBm, DC3mA
6. Frequency Response (relative to 1 KHz); ±1.0 dB, @ 300 Hz to 3.5 KHz, 0 dBm, DC3mA
7. Pri Impedance; 1.5K Ω +20%, -10% @ 1 KHz, 0 dBm, DC3mA
8. Longitudinal Balance; 60 dB MIN @ 1 KHz
9. Total Harmonic Distortion; 10% MAX @ 300 Hz, 50mW
10. DC Resistance; (1-2) 160Ω ±20% (3-4) 95 Ω ±20%
12. Turns Ratio; (1-2) : (3-4) = 1.58 : 1.00 t±2%
13. Dielectric Strength; 500 Vrms (10 mA peak MAX) 1 minute @ Pri - Sec

B. Marking; MET-24, TAMURA, Primary and Secondary Impedance, pin numbers, PM33-M, MICROTRAN, TF5S21ZZ, 196-date code and country of origin

C. Schematic Diagram



D. Mechanical Specifications



PREPARED BY:

K. Brennan

ENGINEER:

T. Shiozawa

QUALITY CONTROL:

D. Kelley

APPROVED:

M. Ong

DWG CONTROL NO. P-A1-10344
ACAD\MET\A1103441.DWG

REV C

TELECOMMUNICATION COUPLING
MINIATURE ENCAPSULATED TRANSFORMER

TAMURA CORPORATION OF AMERICA
43352 BUSINESS PARK DRIVE, TEMECULA, CA. 92590-6624
(909) 699-1270 FAX 9096769482

MET-24

MODEL SPECIFICATION

DIM: mm(In) SCL: NONE SH: 1 OF 1

PROPRIETARY NOTICE: THIS DRAWING PRINT OR DOCUMENT AND SUBJECT MATTER DISCLOSED HEREIN ARE PROPRIETARY ITEMS TO WHICH TAMURA RETAINS THE EXCLUSIVE RIGHT OF DISSEMINATION, REPRODUCTION, MANUFACTURE AND SALE. THIS DRAWING, PRINT OR DOCUMENT IS SUBMITTED IN CONFIDENCE FOR CONSIDERATION BY THE RECIPIENT ALONE UNLESS PERMISSION FOR FURTHER DISCLOSURE IS EXPRESSLY GRANTED IN WRITING.