

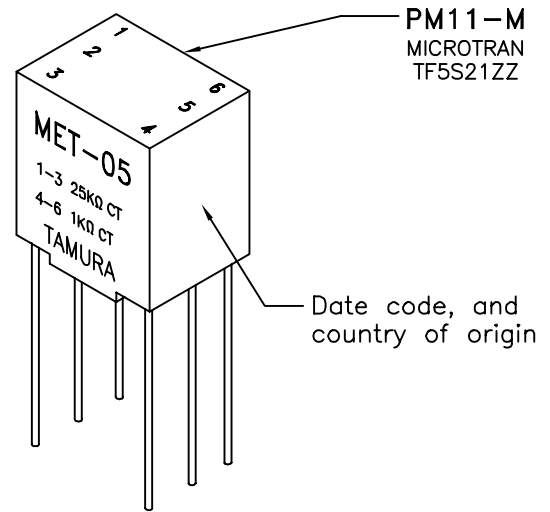
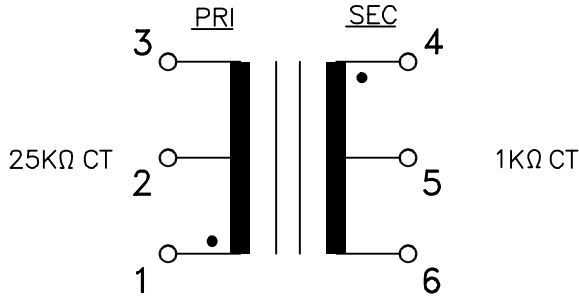
AUDIO COUPLING MINIATURE ENCAPSULATED TRANSFORMER DESIGNED TO OPERATE 30mW MAX IN SECONDARY AND REFLECT A PRIMARY SOURCE IMPEDANCE OF APPROXIMATELY 25KΩCT WITH 1KΩCT LOAD ON SECONDARY.

A. Electrical Specifications (@ 20 ° C)

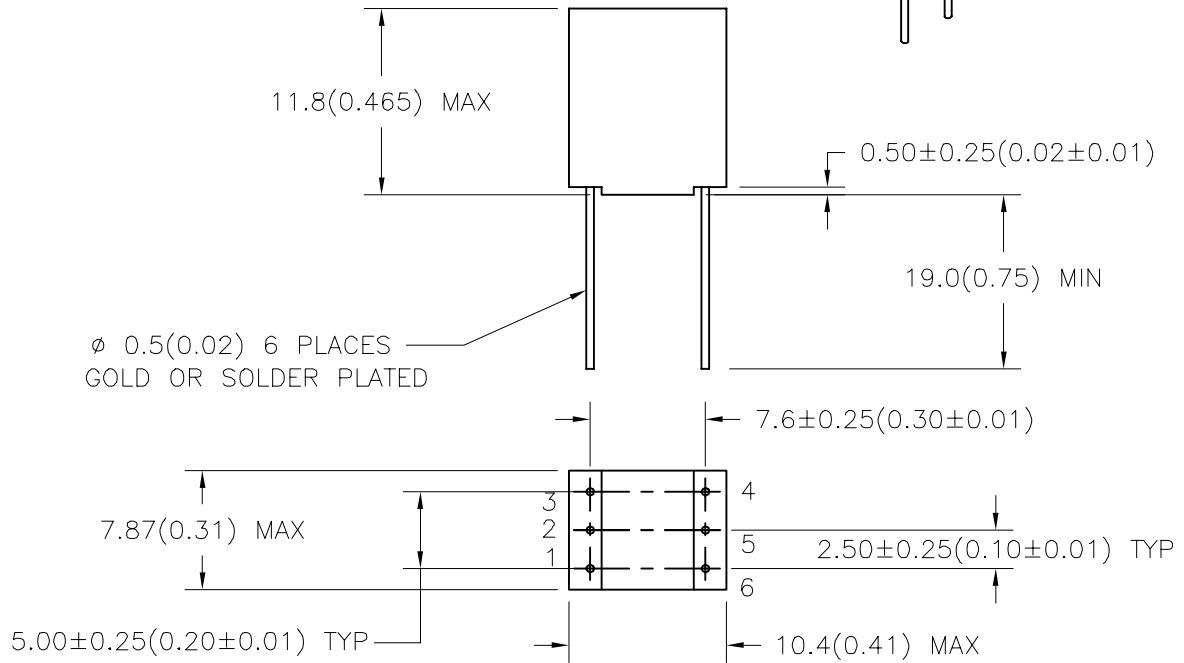
1. Pri Source Impedance; 25KΩCT
2. Sec Load Impedance; 1KΩCT
3. Pri DC Current; 0.5 mA MAX
4. Operating Level; 30 mW MAX @ 300 Hz
5. Frequency Response (relative to 1 KHz);  
±2.0 dB, @ 300 Hz to 100 KHz
6. Longitudinal Balance; 60 dB MIN @ 1 KHz
7. DC Resistance;  
(1-3) 1600Ω ±20%  
(4-6) 95Ω ±20%
8. Turns Ratio; (1-3) : (4-6) = 5.00 : 1 ±2%
9. Dielectric Strength;  
60Hz 500Vrms 0.5 minute @ Pri - Sec

B. Marking; MET-05, TAMURA, Primary and Secondary Impedance, PM11-M, MICROTRAN, TF5S21ZZ, date code and country of origin

C. Schematic Diagram



D. Mechanical Specifications



TOLERANCES (mm)
≤ 4 ± 0.2
4 ≤ 20 ± 0.3
20 ≤ 50 ± 0.4

PREPARED BY:  
K. Brennan

ENGINEER: T. Shiozawa	DWG CONTROL NO. P-A1-11577 ACAD\MXFMR\A1115771.DWG	REV -	AUDIO COUPLING MINIATURE ENCAPSULATED TRANSFORMER	<b>MET-05</b> MODEL SPECIFICATION		
QUALITY CONTROL: M. Ong	CONTENTS OF THIS DRAWING ARE SUBJECT TO CHANGE WITHOUT PRIOR NOTICE		<b>TAMURA CORPORATION OF AMERICA</b> 43352 BUSINESS PARK DRIVE, TEMECULA, CA. 92590-6624 (909) 699-1270 FAX 9096769482			
APPROVED: M. Ong	PROPRIETARY NOTICE: THIS DRAWING PRINT OR DOCUMENT AND SUBJECT MATTER DISCLOSED HEREIN ARE PROPRIETARY ITEMS TO WHICH TAMURA RETAINS THE EXCLUSIVE RIGHT OF DISSEMINATION, REPRODUCTION, MANUFACTURE AND SALE. THIS DRAWING, PRINT OR DOCUMENT IS SUBMITTED IN CONFIDENCE FOR CONSIDERATION BY THE RECIPIENT ALONE UNLESS PERMISSION FOR FURTHER DISCLOSURE IS EXPRESSLY GRANTED IN WRITING.					