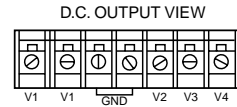
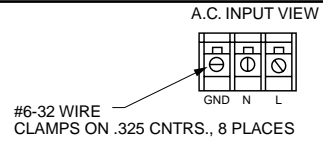
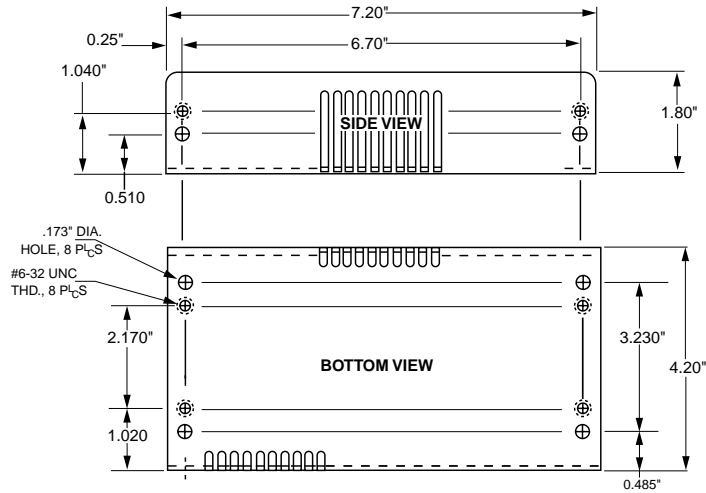
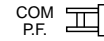


# BVS-80



SINGLE OUTPUT MODELS USE V. PINS

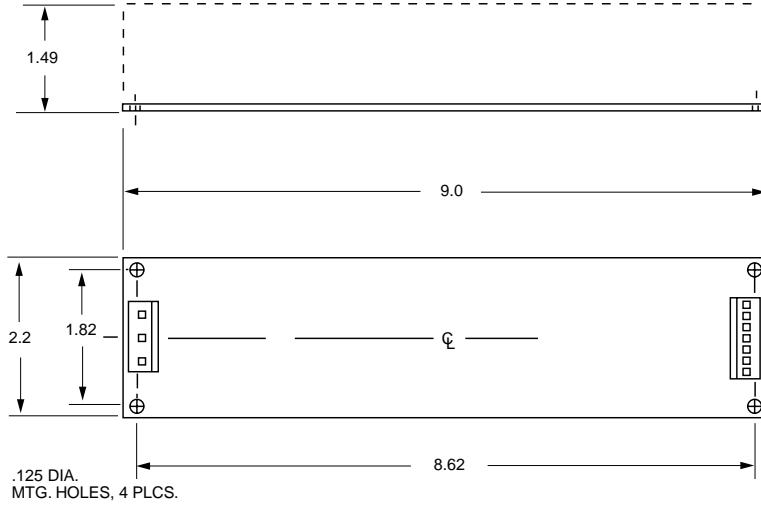
BVS-080 POWER FAIL CONNECTOR



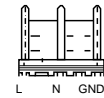
POWER FAIL CONNECTORS MATE WITH MOLEX SERIES 2695

WEIGHT: 1.7 LBS.

# BVS-100



A.C. INPUT VIEW



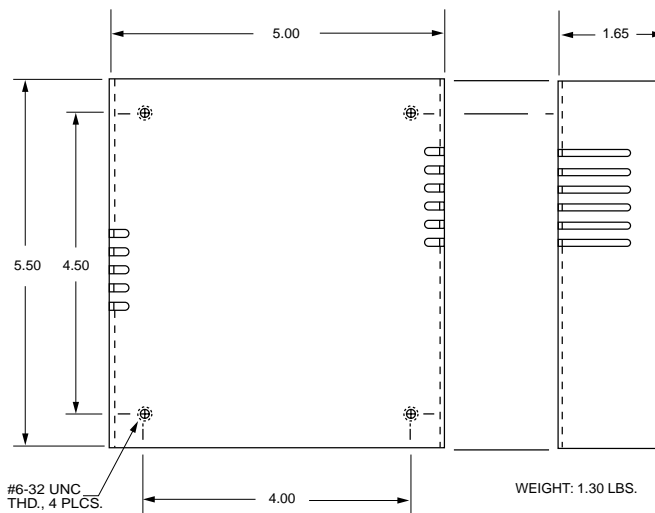
INPUT & OUTPUT CONNECTORS  
.045" SQ. PINS, 7 PLACES  
.156" PITCH, LOCKING RAMP  
MATES WITH MOLEX 2139 SERIES

D.C. OUTPUT VIEW



WEIGHT: 1.15 LBS.

# BVS-180

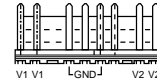


A.C. INPUT VIEW

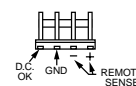


INPUT & OUTPUT CONNECTORS  
.045" SQ. PINS, 7 PLACES  
.156" PITCH, LOCKING RAMP  
MATES WITH MOLEX 2139 SERIES

D.C. OUTPUT VIEW



AUX. OUTPUT VIEW



.025" SQ. PINS, 4 PLACES  
.100 PITCH, LOCKING RAMP  
MATES WITH MOLEX 2695 SERIES

WEIGHT: 1.30 LBS.