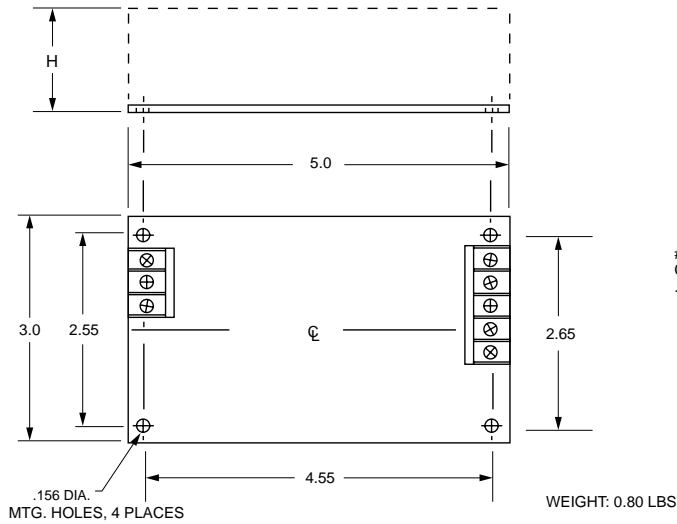


BVS-30

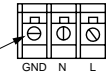
H = 1.17"

BVS-40

H = 1.38"

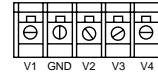


A.C. INPUT VIEW



#6-32 WIRE CLAMPS ON .325 CNTRS., 8 PLACES

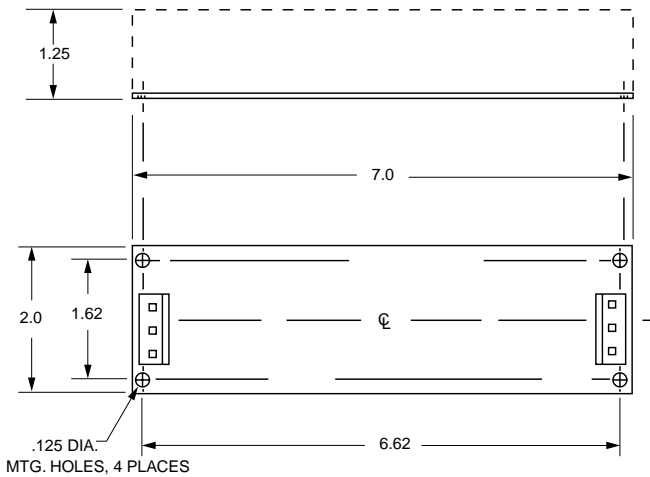
D.C. OUTPUT VIEW



SINGLE OUTPUT MODELS USE V1 PIN.

WEIGHT: 0.80 LBS.

BVS-50



A.C. INPUT VIEW



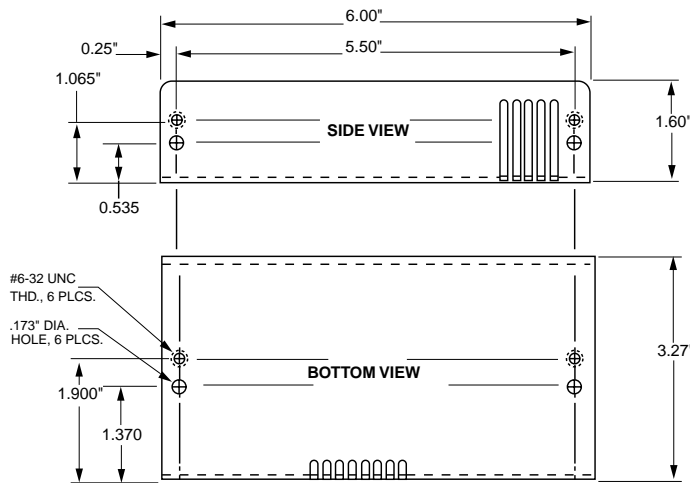
INPUT & OUTPUT CONNECTORS .045" SQ. PINS, 7 PLACES .156" PITCH, LOCKING RAMP MATES WITH MOLEX 2139 SERIES

D.C. OUTPUT VIEW

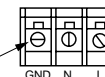


WEIGHT: 0.55 LBS.

BVS-60

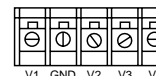


A.C. INPUT VIEW



#6-32 WIRE CLAMPS ON .325 CNTRS., 8 PLACES

D.C. OUTPUT VIEW



SINGLE OUTPUT MODELS USE V1 PIN.

WEIGHT: 1.20 LBS.