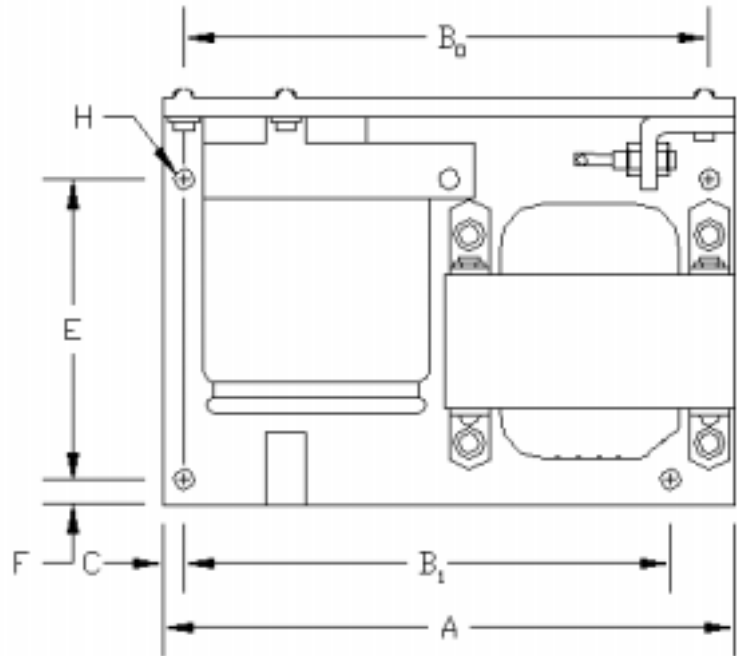
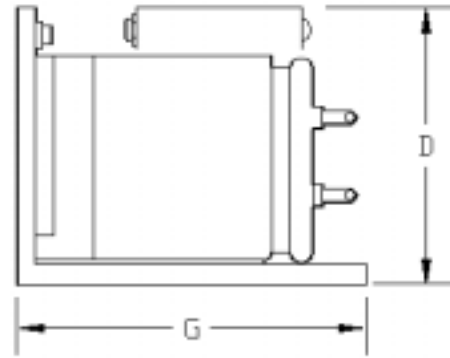


| Part No.   | Typical DC Output<br>(@ nominal input<br>and full load)  |
|--|--|
| BVU-7AU1.8<br>BVU-12AU1.2<br>BVU-16AU0.9<br>BVU-20AU0.75<br>BVU-24AU0.6<br>BVU-48AU0.3<br>BVU-120AU0.12<br>BVU-250AU0.05 | 7.5V @ 1.8A<br>11V @ 1.2A<br>17V @ 0.9A<br>19.8V @ 0.75A<br>25V @ 0.6A<br>48V @ 0.3A<br>113V @ 0.12A<br>247V @ 0.05A |
| BVU-7BU3<br>BVU-12BU2.4<br>BVU-16BU1.8<br>BVU-20BU1.5<br>BVU-24BU1.2<br>BVU-48BU0.6<br>BVU-120BU0.25<br>BVU-250BU0.1     | 7.5V @ 3A<br>12V @ 2.4A<br>16V @ 1.8A<br>19.8V @ 1.5A<br>26.5V @ 1.2A<br>48V @ 0.6A<br>120V @ 0.25A<br>248V @ 0.1A   |
| BVU-7CU6<br>BVU-12CU4.8<br>BVU-16CU3.6<br>BVU-20CU3<br>BVU-24CU2.4<br>BVU-48CU1.2  | 7.5V @ 6A<br>12V @ 4.8A<br>16V @ 3.6A<br>19.8V @ 3A<br>26.5V @ 2.4A<br>48V @ 1.2A                                    |
| BVU-7DU10<br>BVU-12DU7<br>BVU-16DU6<br>BVU-20DU5<br>BVU-24DU3.5<br>BVU-48DU1.8   | 8.5V @ 10A<br>12.5V @ 7A<br>17V @ 6A<br>19.48V @ 5A<br>25.5V @ 3.5A<br>48V @ 1.8A                                    |
| BVU-7EU20<br>BVU-12EU15<br>BVU-16EU12.5<br>BVU-20EU10<br>BVU-24EU7.5<br>BVU-45EU6<br>BVU-48EU4<br>BVU-72EU3              | 9V @ 20A<br>12.5V @ 15A<br>16.5V @ 12.5A<br>20V @ 10A<br>27.5V @ 7.5A<br>45V @ 6.0A<br>47V @ 4A<br>72V @ 3A          |
| BVU-24FU20<br>BVU-45FU12<br>BVU-48FU10<br>BVU-75FU5  | 24.6V @ 20A<br>45V @ 12A<br>48.4V @ 10A<br>75V @ 5A  |
| BVU-24GU30<br>BVU-48GU15<br>BVU-65GU15<br>BVU-75GU10   | 24.6V @ 30A<br>48V @ 15A<br>65V @ 15A<br>75V @ 10A   |



| Dimensions |      |                |                |     |      |      |      |      |         |          |
|------------|------|----------------|----------------|-----|------|------|------|------|---------|----------|
| Case Size  | A    | B <sub>0</sub> | B <sub>1</sub> | C   | D    | E    | F    | G    | H (dia) | Wt (lbs) |
| AU         | 4.62 | 4.00           | NA             | .31 | 2.09 | 1.60 | .31  | 2.75 | .20     | 1.7      |
| BU         | 5.88 | 5.38           | NA             | .25 | 2.72 | 2.19 | .31  | 3.25 | .22     | 2.6      |
| CU         | 6.25 | 5.65           | 5.15           | .25 | 3.00 | 2.73 | .35  | 3.71 | .22     | 4.0      |
| DU         | 7.12 | 6.42           | 5.87           | .35 | 3.25 | 2.88 | .30  | 4.00 | .22     | 6.7      |
| EU         | 8.10 | 7.50           | 6.90           | .25 | 3.88 | 3.80 | .30  | 5.00 | .26     | 12.2     |
| FU         | 9.00 | 8.24           | NA             | .35 | 4.62 | 2.50 | 1.56 | 5.62 | .28     | 20.0     |
| GU         | 9.50 | 8.50           | NA             | .50 | 5.56 | 6.62 | .50  | 8.00 | .28     | 28.5     |