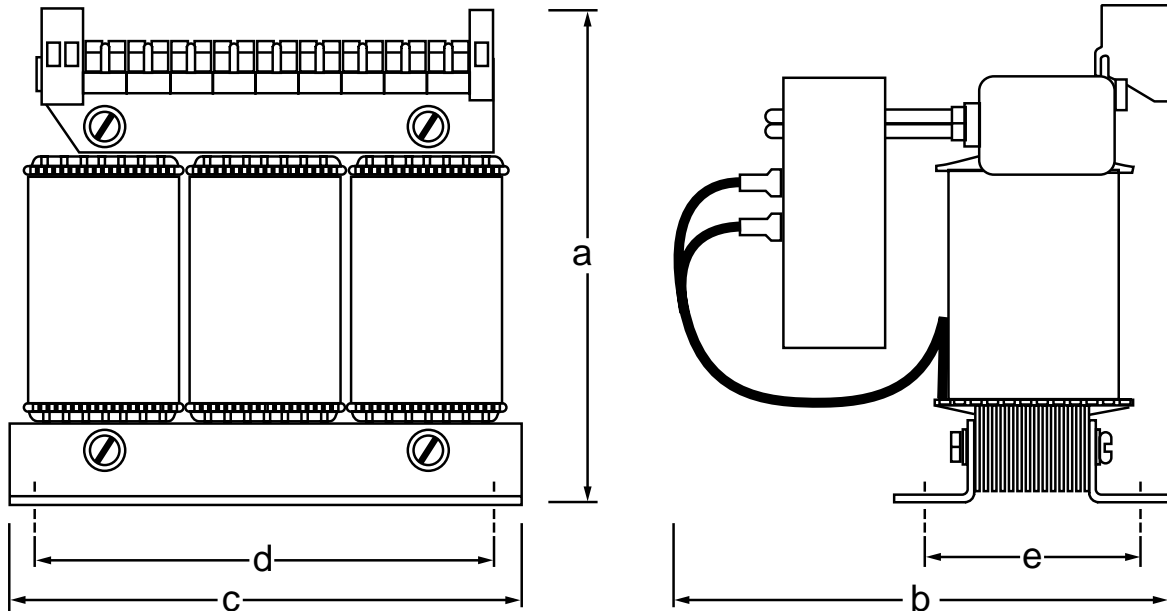


Applications

- DC Motors – Stepping and Servos
- Solenoid Valves
- Relays
- Lamps and Signal Systems
- Input to On-Board Regulators
- Some Floppy Disc Drives



Selection Guide (partial)

Part No.	Case Size	Output	Approx. Dimensions (inches)					Weight (lbs.)
			a	b	c	d	e	
BVZ-24TA5	TA	24V @ 5A	7.00	6.00	8.00	5.00	2.37	11
BVZ-24TB10	TB	24V @ 10A	7.00	6.50	8.00	5.00	2.87	15.5
BVZ-24TC15	TC	24V @ 15A	8.37	6.00	9.00	6.75	2.75	18
BVZ-24TD20	TD	24V @ 20A	8.37	6.50	9.00	6.75	3.12	24
BVZ-24TE25	TE	24V @ 25A	8.37	6.50	9.00	6.75	3.12	26
BVZ-24TF30	TF	24V @ 30A	8.37	6.50	9.00	6.75	3.12	28