

622 MHz VCXO IC

For ATM/SONET Networking Applications

NJR
NEWS

2002

8

December 5, 2002

NJM2555

Ideal for VCXO Designs Targeting ATM/SONET Networking Applications

The NJM2555 is a 622.08 MHz VCXO (Voltage Controlled Crystal Oscillator) IC designed for optical fiber telecommunication systems, using New JRC's superior Bipolar technology, which consists of an oscillation amplifier, a variable capacitor diode, a quadruple (x4) frequency circuit, high pass filter, and limiter amplifier.

The NJM2555 generates x4 frequency to add the only 155.52 MHz crystal and LC filter, and the output is differential LVPECL equivalent. The recommended input crystal frequency is from 120 MHz to 160 MHz.

The jitter performance and phase noise is very low based on our excellent oscillation circuit design. This device can be used in optical communications, especially WDM systems.

Features

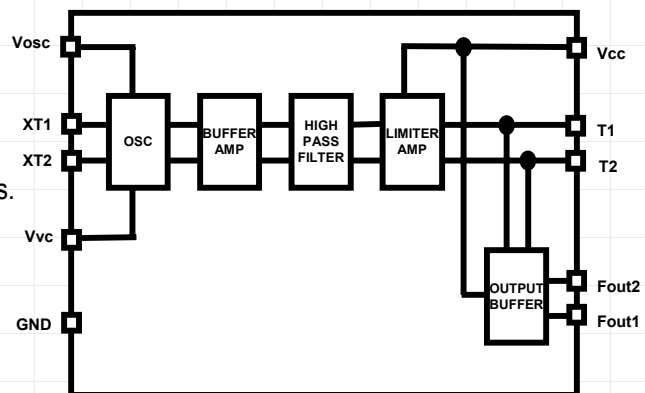
- VCXO-based Design
- Operating Voltage: 3.0V to 3.6V
- Crystal Frequency: 155.52 MHz
- Crystal Frequency Range: 120 MHz to 160 MHz
- Output Frequency: 622.08 MHz
- Output Frequency Range: 400 MHz to 800 MHz
- Output Level: Differential LVPECL equivalent
- Variable Capacitor on-chip
- Bipolar Technology
- Package Outline: Die only
- Chip Size: 1.6mm x 2.0mm
- Chip Thickness: 260um \pm 20um
- Pad Size: 90um x 90um

NOW Available!

Applications

- VCXO-based Designs
- ATM/SONET Networking Applications
- Forward Error Correction Applications
- Oscillator Timing Modules
- Optical Fiber Telecommunications
- WDM Systems

NJM2555 Block Diagram



Pin Assignment

Pin 1- Vosc	Pin 6- Fout1
Pin 2- XT1	Pin 7- Fout2
Pin 3- XT2	Pin 8- T1
Pin 4- Vcc	Pin 9- T2
Pin 5- GND	Pin 10- Vcc

Reminder: Don't forget to consider our JRC SAW Filters and NJR NJM2860 & NJM2870 LDOs!!!!

JRC **NJR CORPORATION**
A SUBSIDIARY OF NEW JAPAN RADIO COMPANY, LTD.

198 Stauffer Blvd. San Jose, CA 95125

NJR CORPORATION offers Bipolar ICs, CMOS ICs, BiCMOS ICs and GaAs MMICs as well as Saw filters, covering North and South America to provide technical assistance and quick delivery for achieving customer satisfactions. For further information, please contact:

PHONE : (408) - 995-6200 or WWW.NJR.COM

The World's Best Source for High Quality ICs using Bipolar, CMOS, BiCMOS and GaAs Technologies and Saw filters