

60 V High Performance Stepper Motor Driver ICs

NJR
NEWS

2002 **15**

December 31, 2002

NJM37717 / NJM37770

60V High Performance Stepper Motor Driver ICs

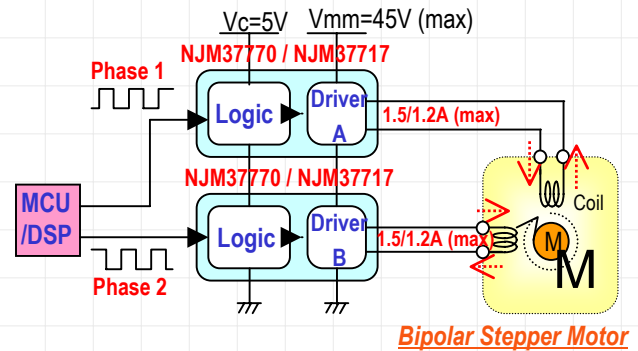
The NJM37770A is a 60V bipolar monolithic circuit intended to control and drive the current in one winding of a stepper motor. It is a high power version of the NJM37717 and special care has been taken to optimize the power handling capability without affecting reliability.

The circuit consists of an LS-TTL compatible logic input stage, a current sensor, a monostable multivibrator and a high power H-bridge output stage. The circuit is pin-compatible with the NJM37717 industry-standard driver.

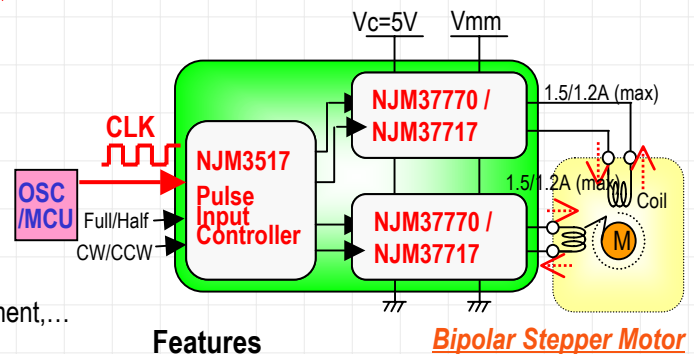
Two NJM37770A / NJM37717 and a small number of external components form a complete control and drive unit for LS-TTL or microprocessor-controlled stepper motor systems.

NJM37717 / NJM37770 Typical Applications

Bipolar / High Output Current Solution



Bipolar / Pulse Input Control



NOW Available !

Applications

- **Office Automation (OA) Equipments**
 - Copy Machine, Printer, Fax,....
- **Factory Automation (FA) (Industrial) Equipments**
 - Manufacturing Robot, Semiconductor Factory Equipment,...
- **Medical Equipments**
 - Hemodialysis Machine's pump
- **Automotive**
 - Cooling System, Fan Heater
- **Amusement**
 - Disco Light, Jackpot
- **Others**
 - Security Camera, Optical Fiber Networking System

Features

- Half-step and full-step operation
- Switched mode bipolar constant current drive
- Wide range of current control: 5 to 1500 mA for NJM37770 or 5 to 1200mA for NJM37717
- Wide voltage range: 10 to 60 V
- Designed for unstabilized motor supply voltage
- Current levels can be selected in steps or varied continuously
- Thermal overload protection
- Built-in recirculation diodes for NJM37717

JRC **NJR CORPORATION**

A SUBSIDIARY OF NEW JAPAN RADIO COMPANY, LTD.

198 Stauffer Blvd. San Jose, CA 95125

NJR CORPORATION offers Bipolar ICs, CMOS ICs, BiCMOS ICs and GaAs MMICs as well as Saw filters, covering North and South America to provide technical assistance and quick delivery for achieving customer satisfactions. For further information, please contact:

PHONE : (408) - 995-6200 or WWW.NJR.COM

The World's Best Source for High Quality ICs using Bipolar, CMOS, BiCMOS and GaAs Technologies and Saw filters