

# PWM Type 3-Phase DC Brushless Motor Control IC

**NJR**  
**NEWS**

2002 **13**

December 31, 2002

**NJU2625**

## PWM Type Three-Phase DC Brushless Motor Control IC

The NJM2625 is a DC brushless motor controller with PWM control circuit, which contains totem-pole type output for driving power MOS-FET, PWM control circuit fixed oscillator frequency generator, over current detection circuit, soft start circuit, hall amplifier.

The NJM2625 easy to control 3-phase DC brushless motor application:

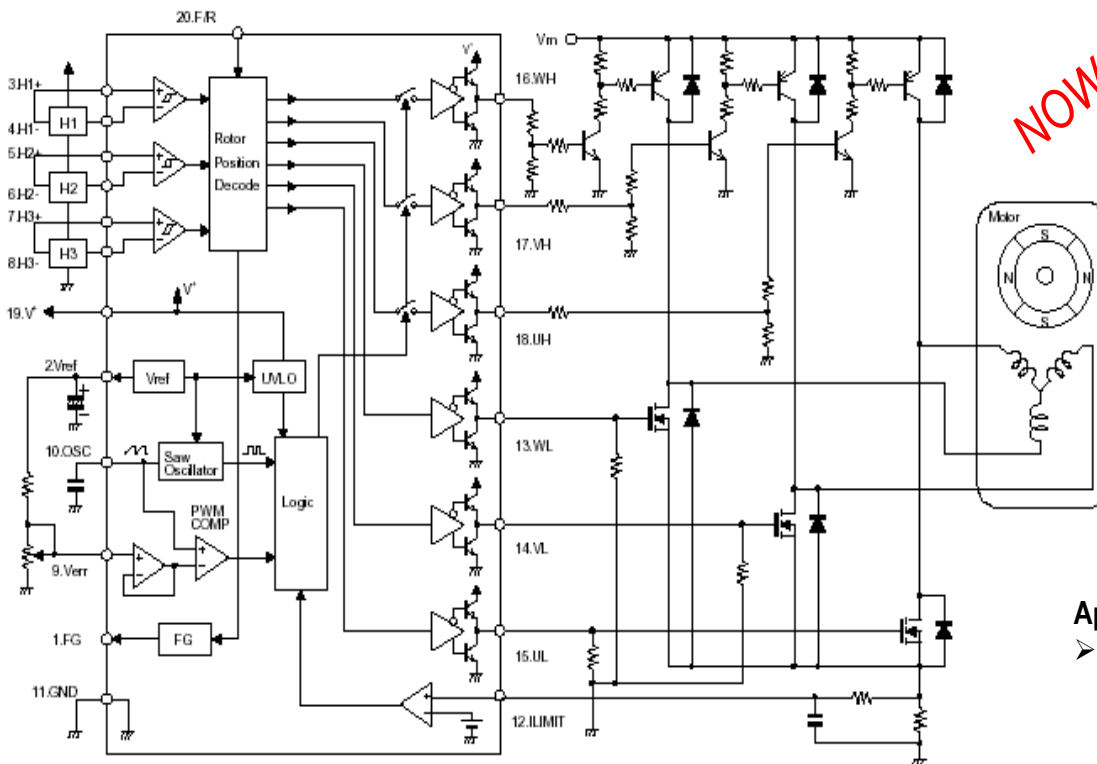
### Features

- Operating Voltage
- Pre-Driver for Output Stage
- Over Current Protected Voltage
- Oscillate Frequency Width
- Run / Disable Function
- Bipolar Technology
- Package Outline

$V^+ = 8V$  to  $18V$   
 $I_{out} = +50mA$  /  $-150mA_{max}$ .  
 OCP Voltage =  $+0.3V \pm 5\%$   
 $f_{osc} = 100Hz$  to  $100KHz$

DIP20 / DMP20

### NJU2625 Typical Application



### Applications

- General DC motor applications

**JRC** **NJR CORPORATION**  
 A SUBSIDIARY OF NEW JAPAN RADIO COMPANY, LTD.

198 Stauffer Blvd. San Jose, CA 95125

NJR CORPORATION offers Bipolar ICs, CMOS ICs, BiCMOS ICs and GaAs MMICs as well as Saw filters, covering North and South America to provide technical assistance and quick delivery for achieving customer satisfactions. For further information, please contact:

PHONE : (408) - 995-6200 or [WWW.NJR.COM](http://WWW.NJR.COM)

The World's Best Source for High Quality ICs using Bipolar, CMOS, BiCMOS and GaAs Technologies and Saw filters