

Two Phase Unipolar DC Brushless Motor Pre-Driver IC

NJR
NEWS

2002 **11**

December 31, 2002

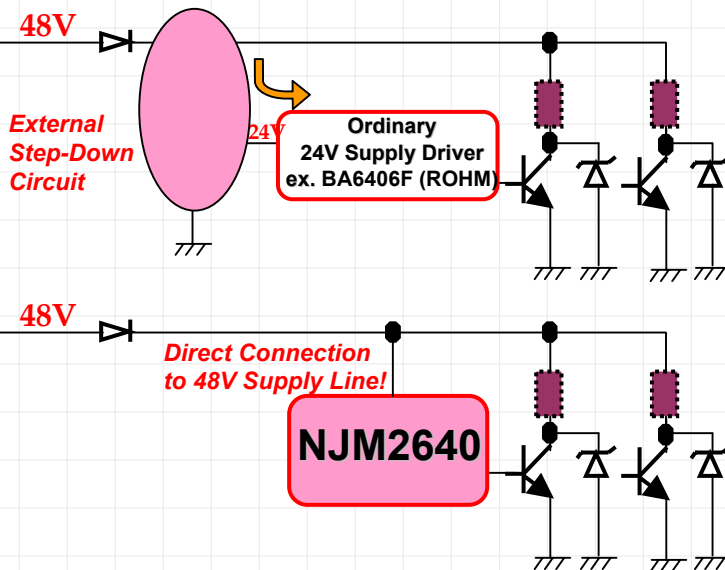
NJM2640

48V 2-phase Unipolar DC Brushless Motor Pre-Driver IC

The NJM2640 is a two phase unipolar DC brushes motor pre-driver IC. It is part of the NJM26XX family that covers 48V and 30V pre-driver ICs.

The NJM2640 features high voltage bipolar technology so that the driver works up to 48V. High voltage operation delivers more power and improves power supply efficiency. Therefore, it is suitable for high voltage fan motor applications.

NJM2640 eliminates the need for any external step-down regulator requirement.

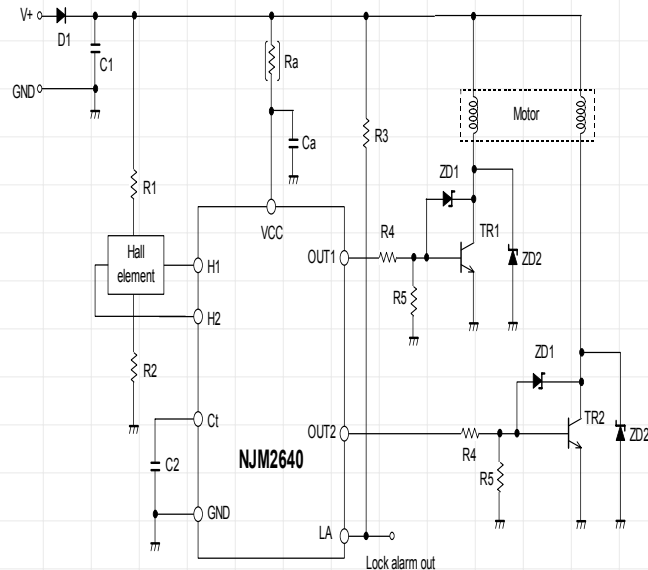


Applications

- General Fan Motor Applications

NOW Available!

NJM2640 Typical Application



The above application is designed for 48V operation with motor current of 300mA.

Features

- Operating supply voltage: Vcc=4 to 55V
- Absolute maximum voltage 60V
- Frequency Generator Output
- Thermal Shutdown Circuit
- Internal lock protection / Auto protection release circuit
- Lock alarm output terminal
- Bipolar Technology
- Package Outline :EMP8 (JEDEC SOIC)



NJR CORPORATION

A SUBSIDIARY OF NEW JAPAN RADIO COMPANY, LTD.

198 Stauffer Blvd. San Jose, CA 95125

NJR CORPORATION offers Bipolar ICs, CMOS ICs, BiCMOS ICs and GaAs MMICs as well as Saw filters, covering North and South America to provide technical assistance and quick delivery for achieving customer satisfactions. For further information, please contact:

PHONE : (408) - 995-6200 or WWW.NJR.COM

The World's Best Source for High Quality ICs using Bipolar, CMOS, BiCMOS and GaAs Technologies and Saw filters