

Single Phase Bipolar DC Brushless Motor Driver ICs

NJR
NEWS

2002 **10**

December 31, 2002

NJU732X Series

Single phase Bipolar DC Brushless Motor Driver ICs

Description

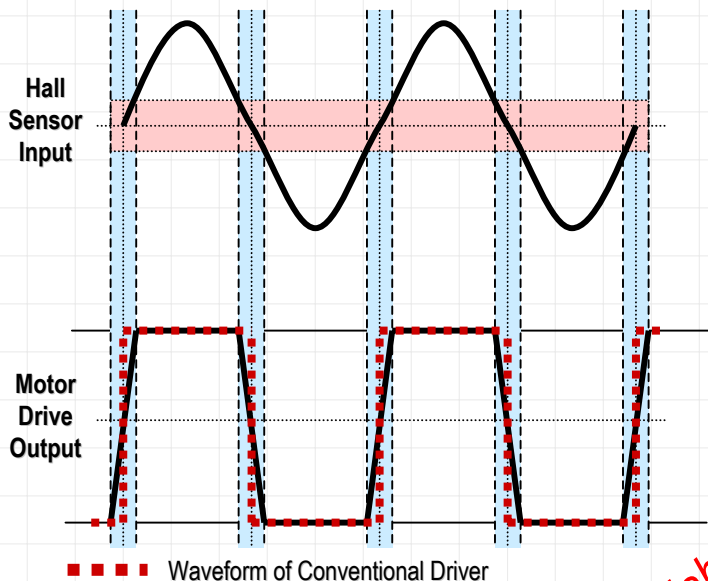
The NJU732X series consists of the NJU7325, NJU7326, NJU7327, NJU7328, and NJU7329.

This series is made in CMOS technology which gives it the following advantages:

- Silent Operation
- CMOS fits 4 power transistors in a small package by achieving a smaller chip size and high power efficiency
- Better linear driving at high temperature compared to Bipolar.

Simplified Sine Wave Drive for Silent Operation

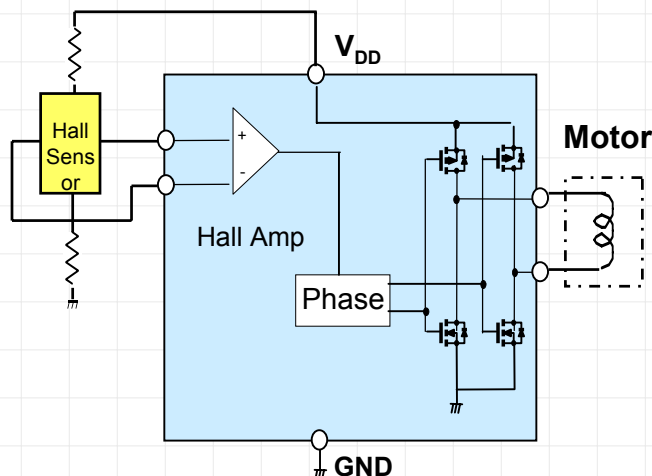
Used in NJU7326 / NJU7328 / NJU7329



Applications

- Notebook Fan Motor Applications
- Desktop CPU Coolers

NJU732X Typical Application



Features

- **Linear Drive Technology**
 - Simplified Sine wave drive for Silent operation
 - Made possible only by CMOS Technology
- **High Power Efficiency Range**
 - Low Saturation: $V_{sat} = \pm 0.35V$ @ $I_o = \pm 250mA$ to $V_{sat} = \pm 0.35V$ @ $I_o = \pm 350mA$
 - Low quiescent Current
 - Low Voltage Operation: 2.4 to 15V
- **Safety Features**
 - Frequency Generator Output
 - Thermal shut down circuit
 - Lock detection / Auto resume function
- **Soft Switching Technology**
 - Constant slew rate among all revolution speed (NJU7327)
- **Small and Thin TVSP-8, VSP-10, Packages**

NOW Available !



NJR CORPORATION

A SUBSIDIARY OF NEW JAPAN RADIO COMPANY, LTD.

198 Stauffer Blvd. San Jose, CA 95125

NJR CORPORATION offers Bipolar ICs, CMOS ICs, BiCMOS ICs and GaAs MMICs as well as Saw filters, covering North and South America to provide technical assistance and quick delivery for achieving customer satisfactions. For further information, please contact:

PHONE : (408) - 995-6200 or WWW.NJR.COM

The World's Best Source for High Quality ICs using Bipolar, CMOS, BiCMOS and GaAs Technologies and Saw filters