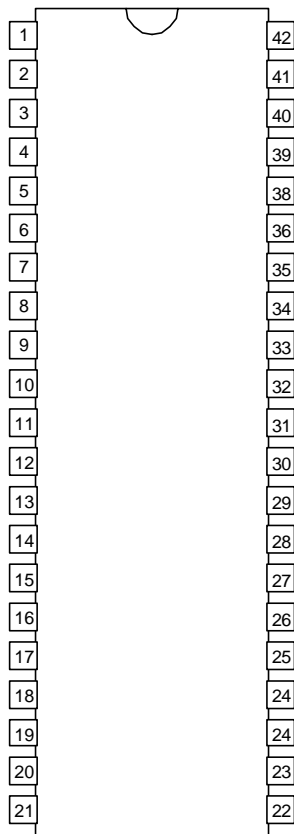


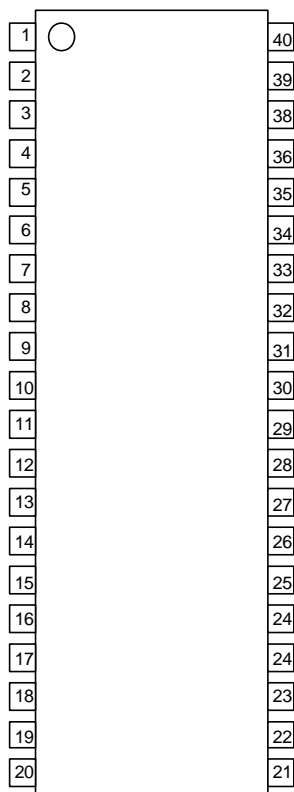
NJM2700

■PIN FUNCTION (SDIP42)



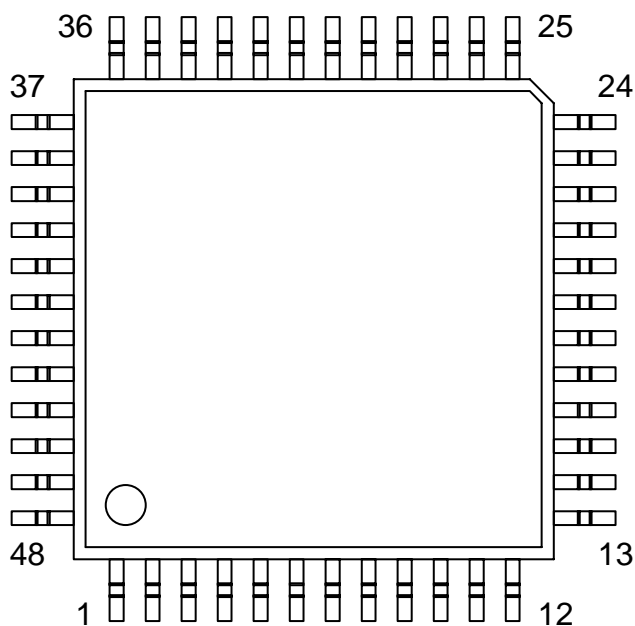
1. C3	15. C2	29. BASSOUT
2. C4	16. SFIL1	30. OUTR
3. FILOUT	17. SFIL2	31. OUTL
4. FIL1	18. SFIL3	32. TP3
5. FIL2	19. SVOL2	33. FFR4
6. FIL3	20. SVOL1	34. FFR3
7. FIL4	21. GND	35. FFR2
8. FIL5	22. V+	36. FFR1
9. FIL6	23. VREFIN	37. FFL4
10. FIL7	24. VREF	38. FFL3
11. TP1	25. MODE3	39. FFL2
12. PCOUT	26. MODE2	40. FFL1
13. PCIN	27. MODE1	41. INR
14. C1	28. TP2	42. INL

■PIN FUNCTION (SOP40)



1. C3	15. SEL1	29. OUTR
2. C4	16. SFIL2	30. OUTL
3. FILOUT	17. SFIL3	31. FFR4
4. FIL1	18. SVOL2	32. FFR3
5. FIL2	19. SVOL1	33. FFR2
6. FIL3	20. GND	34. FFR1
7. FIL4	21. V+	35. FFL4
8. FIL5	22. VREFIN	36. FFL3
9. FIL6	23. VREF	37. FFL2
10. FIL7	24. MODE3	38. FFL1
11. PCOUT	25. MODE2	39. INR
12. PCIN	26. MODE2	40. INL
13. C1	27. TP2	
14. C2	28. BASSOUT	

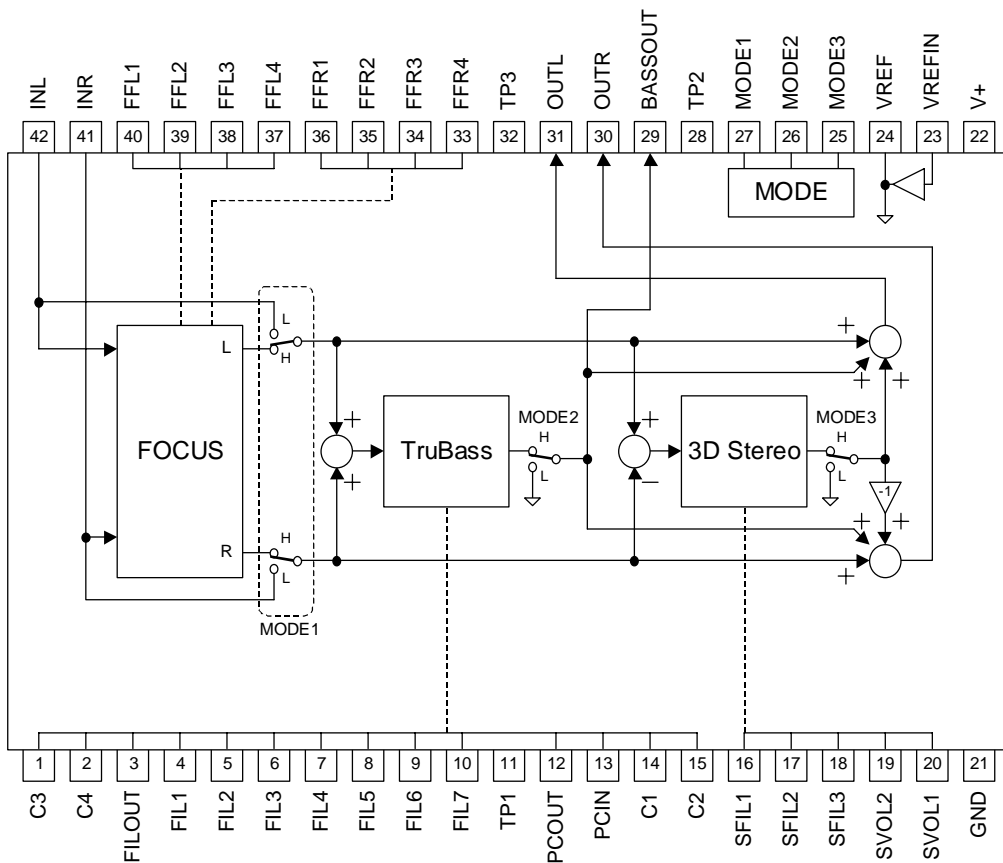
■PIN FUNCTION (QFP48)



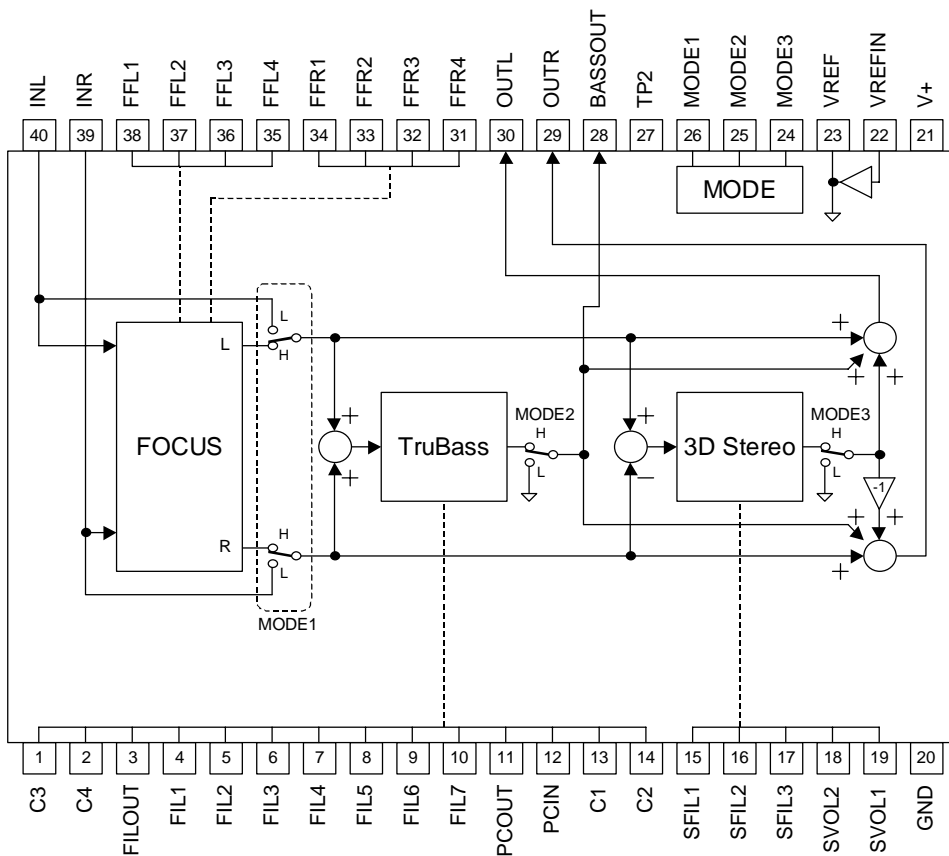
1. NC	17. SVOL1	33. FFR2
2. FIL3	18. GND	34. FFR1
3. FIL4	19. V+	35. FFL4
4. FIL5	20. VREFIN	36. NC
5. FIL6	21. VREF	37. NC
6. FIL7	22. MODE3	38. FFL3
7. PCOUT	23. MODE2	39. FFL2
8. PCIN	24. NC	40. FFL1
9. C1	25. NC	41. INR
10. C2	26. MODE1	42. INL
11. SFIL2	27. TP2	43. C3
12. NC	28. BASSOUT	44. C4
13. NC	29. OUTR	45. FILOUT
14. SFIL2	30. OUTL	46. FIL1
15. SFIL3	31. FFR4	47. FIL2
16. SVOL2	32. FFR3	48. NC

NJM2700

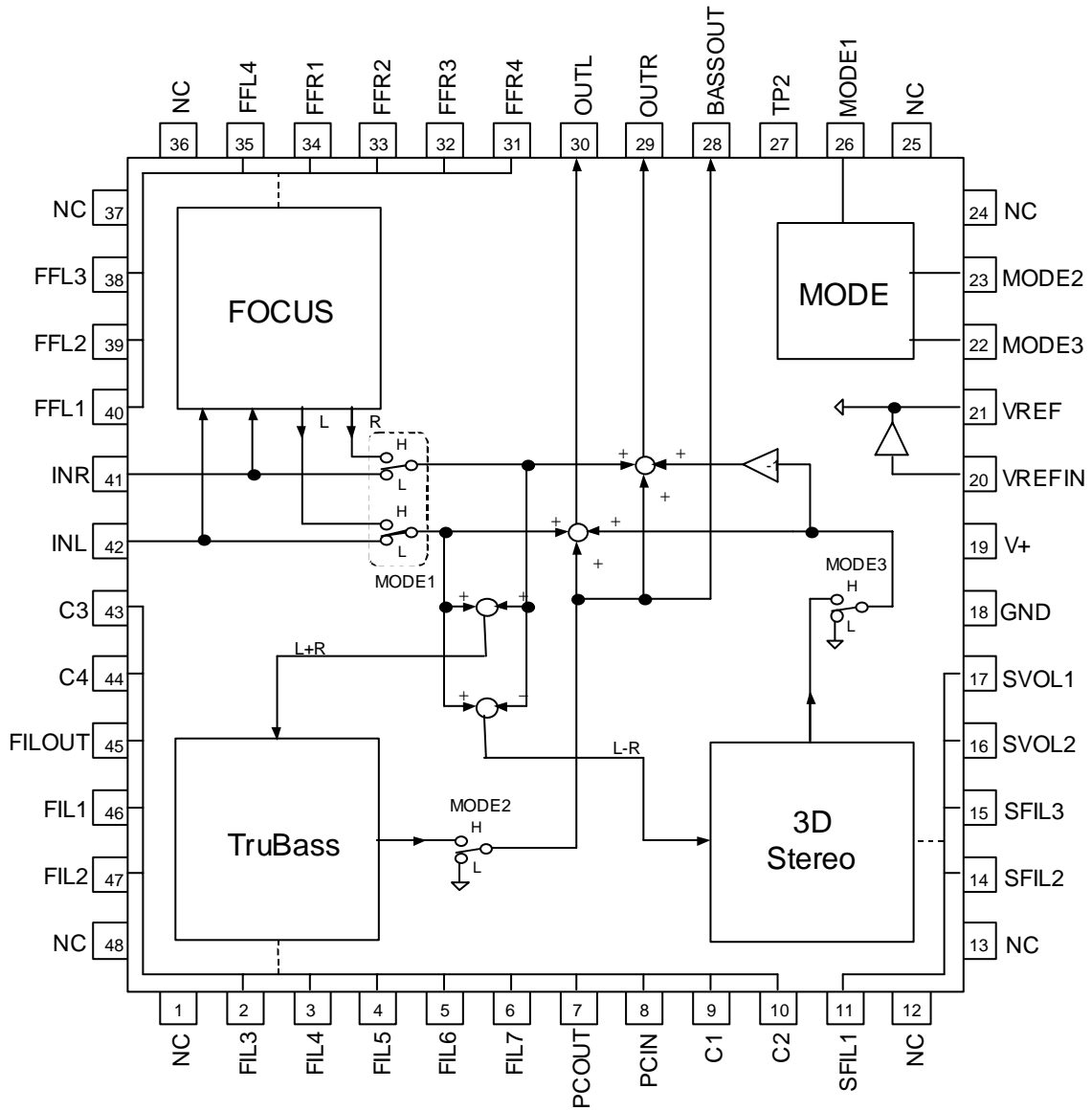
■BLOCK DIAGRAM (SDIP42)



■BLOCK DIAGRAM (SOP40)



■BLOCK DIAGRAM (QFP48)



NJM2700

■ABSOLUTE MAXIMUM RATING (Ta=25°C)

PARAMETER	SYMBOL	RATING	UNIT
Supply Voltage	V ⁺	15	V
Power Dissipation	P _D	(SDIP42) 700 (SOP40) 700 (QFP48) 450	mW
Operating Temperature Range	T _{opr}	-40 to +85	°C
Storage Temperature Range	T _{stg}	-40 to +125	°C

■ELECTRICAL CHARACTERISTICS (V⁺=12V, Ta=25°C, V_{IN}=-20dBV (=0.1Vrms), Speaker Size :Medium)

PARAMETER	SYMBOL	TEST CONDITION							MIN	TYP	MAX	UNIT		
		INPUT		OUTPUT	MODE	PUNCH VR	WIDTH VR	MIN					TYP	MAX
		L	R											
Operating Voltage	V ⁺	-	-	-	-	-	-	4.7	12.0	13.0	V			
Operating Current	I _{CC}	No Signal	-	-	-	BYPASS	-	-	8.7	17.4	26.1	mA		
			-	-	-	WOW	-	-	8.7	17.4	26.1			
Reference Voltage	V _{REF}	V ⁺ /2	-	-	-	-	-	5.8	6.0	6.2	V			
Maximum Input Voltage	V _{IM}	f=1kHz THD=3%	V _{IN} -	- V _{IN}	L R	BYPASS	-	-	10.0 (32)	12.0 (40)	-	dBV (Vrms)		
		f=100Hz THD=3%	V _{IN} V _{IN}	V _{IN} V _{IN}	L R	TruBass	MAX	-	-	-2.7 (0.73)	-			
		f=125Hz THD=3%	V _{IN} -	- V _{IN}	L R	3D-STEREO	-	MAX	-	0.5 (1.1)	-			
		f=125Hz THD=3%	V _{IN} V _{IN}	-V _{IN} -V _{IN}	L R	3D-STEREO	-	MAX	-	-5.5 (0.53)	-			
		f=10kHz THD=3%	V _{IN} -	- V _{IN}	L R	WOW	MAX	MAX	-5.8 (0.51)	-3.8 (0.65)	-			
		f=100Hz THD=3%	V _{IN} V _{IN}	V _{IN} V _{IN}	L R	WOW	MAX	MAX	-5.0 (0.56)	-3.0 (0.71)	-			
		f=10kHz THD=3%	V _{IN} V _{IN}	-V _{IN} -V _{IN}	L R	WOW	MAX	MAX	-10.9 (0.29)	-8.9 (0.36)	-			
Output Noise	V _{NO}	Rg=0Ω A-Weighted	0	0	L R	BYPASS	-	-	-	-110 (3)	-100 (10)	dBV (μVrms)		
		Rg=0Ω A-Weighted	0	0	L R	TruBass	MAX	-	-	-80 (100)	-			
		Rg=0Ω A-Weighted	0	0	L R	3D-STEREO	-	MAX	-	-95 (18)	-			
		Rg=0Ω A-Weighted	0	0	L R	WOW	MAX	MAX	-	-80 (100)	-75 (180)			

■ELECTRICAL CHARACTERISTICS ($V^+=12V$, $T_a=25^\circ C$, $V_{IN}=-20dBV$ ($=0.1V_{rms}$), Speaker Size :Medium)

PARAMETER	SYMBOL	TEST CONDITION							MIN	TYP	MAX	UNIT	
		INPUT		OUTPUT	MODE	PUNCH VR	WIDTH VR						
		L	R										
Total Harmonic Distortion	THD	f=1kHz	V_{IN} -	- V_{IN}	L R	BYPASS	-	-	-	0.005	0.01	%	
		f=100Hz	V_{IN} V_{IN}	V_{IN} V_{IN}	L R	TruBass	MAX	-	-	0.1	-		
		f=1kHz	V_{IIN} -	- V_{IN}	L R	3D-STEREO	-	MAX	-	0.1	-		
		f=1kHz	V_{IN} -	- V_{IN}	L R	WOW	MAX	MAX	-	0.1	1.0		
BYPASS Gain	G_{VBYP}	f=1kHz	V_{IN} -	- V_{IN}	L R	BYPASS	-	-	-1.0	0.0	1.0	dB	
SRS Gain	G_{SRS}	f=100Hz	V_{IN} V_{IN}	V_{IN} V_{IN}	L R	TruBass	MAX	-	12.8	14.8	16.8	dB	
		f=100Hz	V_{IN} V_{IN}	V_{IN} V_{IN}	L R	TruBass	MIN	-	-2.3	1.7	5.7		
		f=125Hz	V_{IN} -	- V_{IN}	L R	3D-STEREO	-	MAX	9.4	11.4	13.4		
		f=125Hz	V_{IN} -	- V_{IN}	L R	3D-STEREO	-	MIN	-1.5	0.5	2.5		
		f=100Hz	V_{IN} -	- V_{IN}	L R	WOW	MAX	MAX	13.8	15.8	17.8		
		f=10kHz	V_{IN} -	- V_{IN}	L R	WOW	MAX	MAX	13.9	15.9	17.9		
MODE Select Control Voltage	V_{MODE}	V _{IN} =High Level							2.0	-	V ⁺	V	
		V _{IN} =Low Level							0.0	-	0.7		

■MODE SELECT FUNCTION

MODE	MODE1	MODE2	MODE3
BYPASS	L	L	L
TruBass	L	H	L
3D-STEREO	L	L	H
WOW	H	H	H

NJM2700

PIN DESCRIPTION

No.		SYMBOL	FUNCTION	EQUIVALENT CIRCUIT	VOLTAGE
SDIP42	SOP40				
1 13 34 38	1 12 32 36	C3 PCIN FFR3 FFR1	Filter PUNCH Control VR Filter Filter		V+/2
2 5 19	2 5 18	C4 FIL2 SVOL2	Filter Filter WIDTH Control VR		V+/2
3 24 29 30 31 36 40	3 23 28 29 30 34 38	FILOUT VREF BASSOUT OUTR OUTL FFR1 FFL1	Filter Reference Voltage Output TruBass Output Rch Output Lch Output Filter Filter		V+/2
4	4	FIL1	Filter		V+/2

■PIN DESCRIPTION

No.		SYMBOL	FUNCTION	EQUIVALENT CIRCUIT	VOLTAGE
SDIP42	SOP40				
6	6	FIL3	Filter		V+/2
7	7	FIL4	Filter		
9	9	FIL5	Filter		
12	11	PCOUT	PUNCH Control VR		
20	19	SVOL1	WIDTH Control VR		
33	31	FFR4	Filter		
37	35	FFL4	Filter		
8	8	FIL5	Filter		V+/2
10	10	FIL7	Filter		
11	-	TP1	Test Pin		-
28	27	TP2	Test Pin		
32	-	TP3	Test Pin		
14	13	C1	Filter		0V

NJM2700

■PIN DESCRIPTION

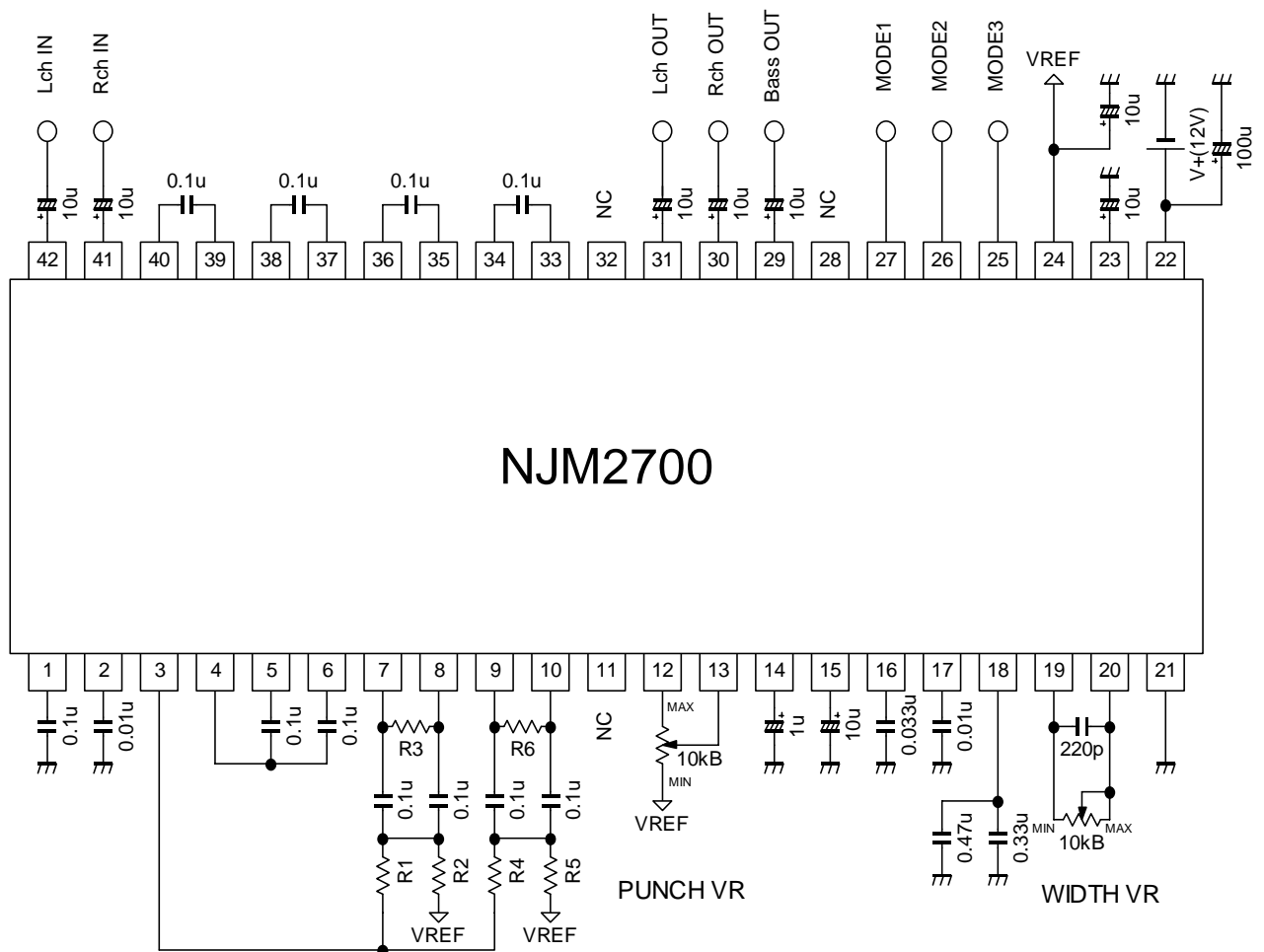
No.		SYMBOL	FUNCTION	EQUIVALENT CIRCUIT	VOLTAGE
SDIP42	SOP40				
15	14	C2	Filter		0V
16 17 18	15 16 17	SFIL1 SFIL2 SFIL3	Filter Filter Filter		V+/2
21	20	GND	GND		0V
22	21	V+	Power Supply		V+

■PIN DESCRIPTION

No.		SYMBOL	FUNCTION	EQUIVALENT CIRCUIT	VOLTAGE
SDIP42	SOP40				
23	22	VREFIN	Reference Voltage Input		$V+/2$
25 26 27	24 25 26	MODE3 MODE2 MODE1	Mode3 SW Mode2 SW Mode1 SW		0V
35 39	33 37	FFR2 FFL2	Filter Filter		$V+/2$
41 42	39 40	INR INL	Rch Input Lch Input		$V+/2$

NJM2700

APPLICATION CIRCUIT (SDIP42)



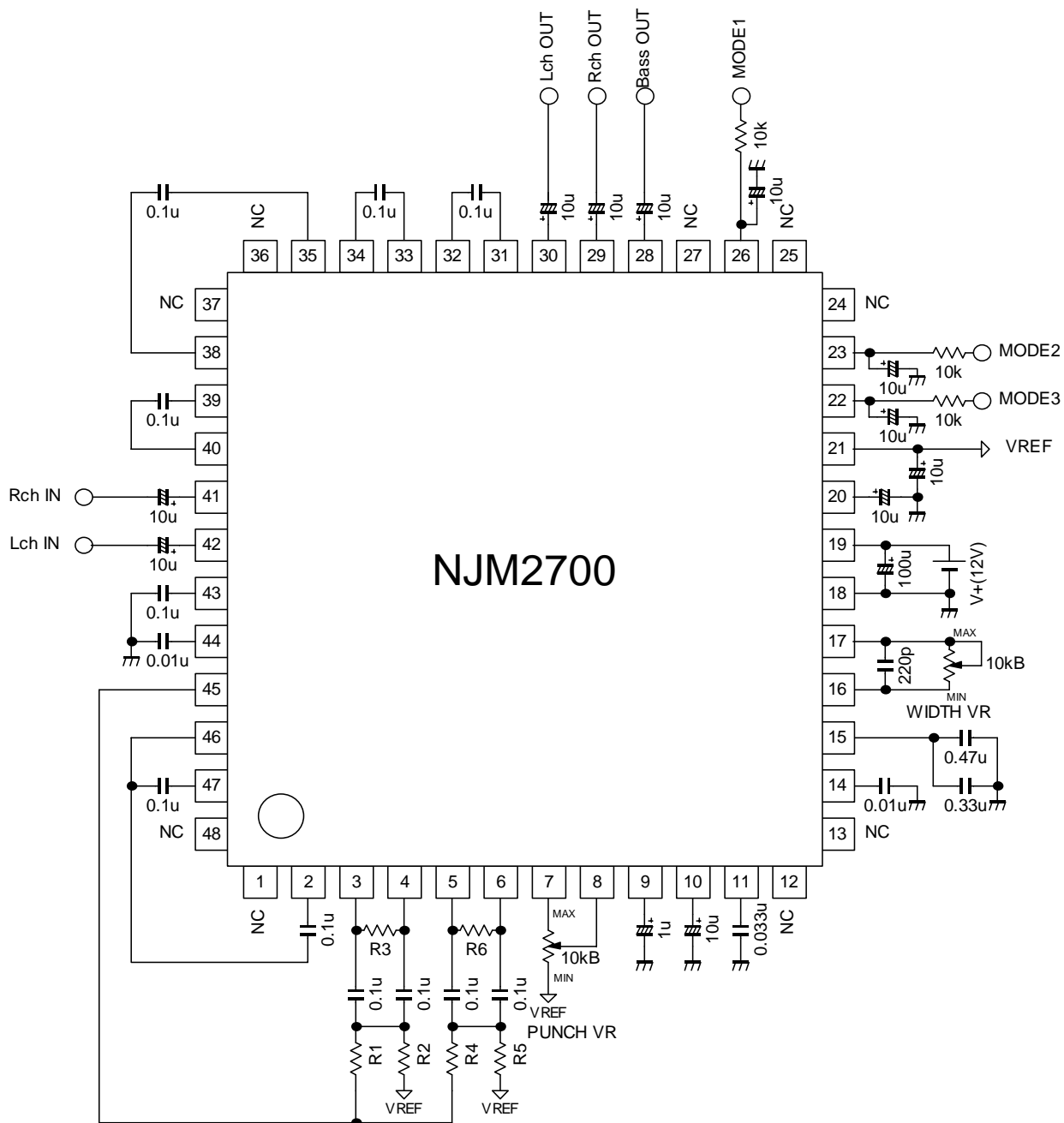
	SPEAKER SIZE		
	LARGE	MEDIUM	SMALL (TruBass mode only)
R1	56.2k	21k	21k
R2	13k	3.09k	3.09k
R3	158k	42k	42k
R4	37.4k	37.4k	22.1k
R5	8.87k	8.87k	2.32k
R6	107k	107k	32k

The standard setting of speaker size is as follows.(Reference)

- Large Mode : $f_o \leq 80\text{Hz}$
- Medium Mode : $80\text{Hz} < f_o \leq 150\text{Hz}$
- Small Mode : $150\text{Hz} < f_o \leq 250\text{Hz}$

NJM2700

APPLICATION CIRCUIT (QFP48)

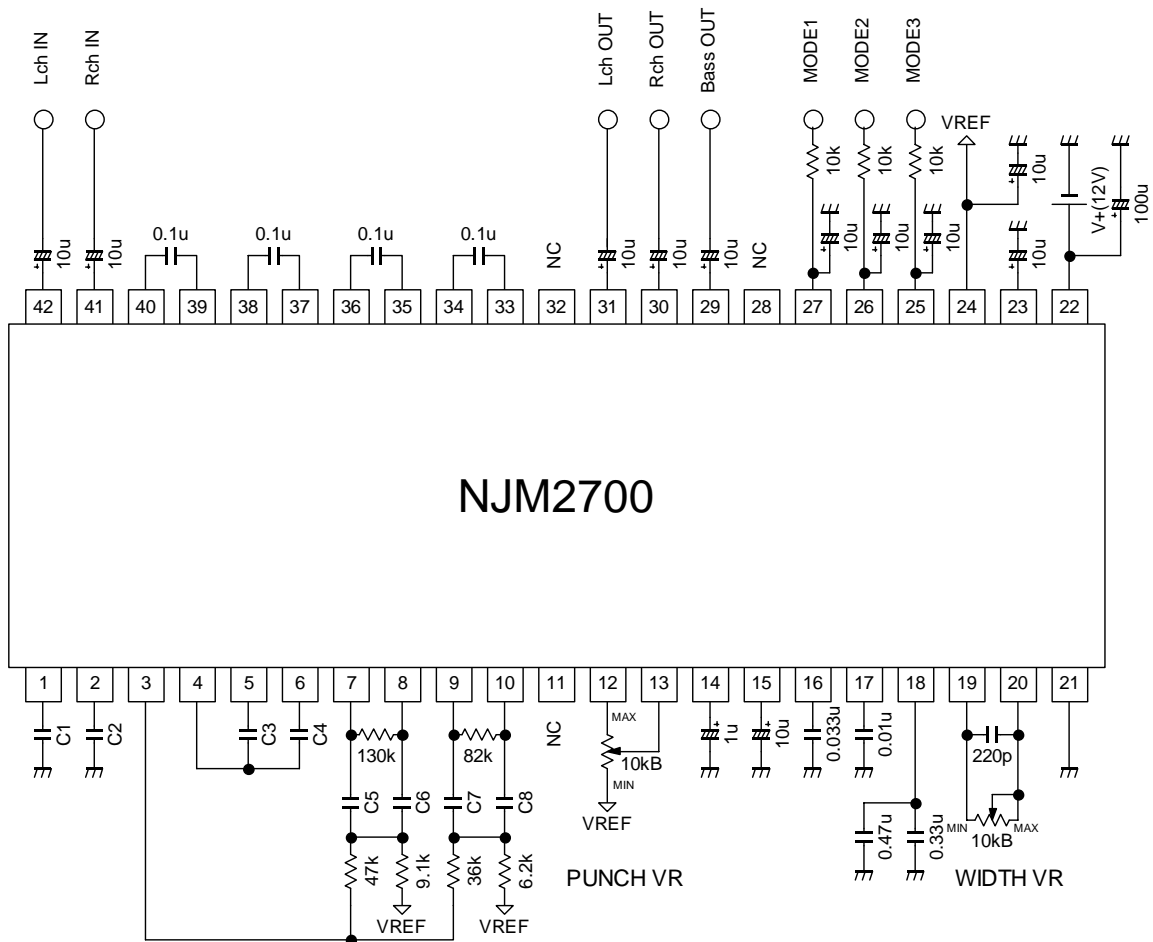


	SPEAKER SIZE		
	LARGE	MEDIUM	SMALL (TruBass mode only)
R1	56.2k	21k	21k
R2	13k	3.09k	3.09k
R3	158k	42k	42k
R4	37.4k	37.4k	22.1k
R5	8.87k	8.87k	2.32k
R6	107k	107k	32k

The standard setting of speaker size is as follows.(Reference)

- Large Mode : $f_o \leq 80\text{Hz}$
- Medium Mode : $80\text{Hz} < f_o \leq 150\text{Hz}$
- Small Mode : $150\text{Hz} < f_o \leq 250\text{Hz}$

APPLICATION CIRCUIT 2 (SDIP42)



	C1	C2	C3 to C8
40Hz Setting	0.22	0.022	0.12
60Hz Setting	0.15	0.015	0.082
100Hz Setting	0.1	0.01	0.047
150Hz Setting	0.068	0.0068	0.033
200Hz Setting	0.047	0.0047	0.027
250Hz Setting	0.039	0.0039	0.022
300Hz Setting	0.033	0.0033	0.018
400Hz Setting	0.022	0.0022	0.012

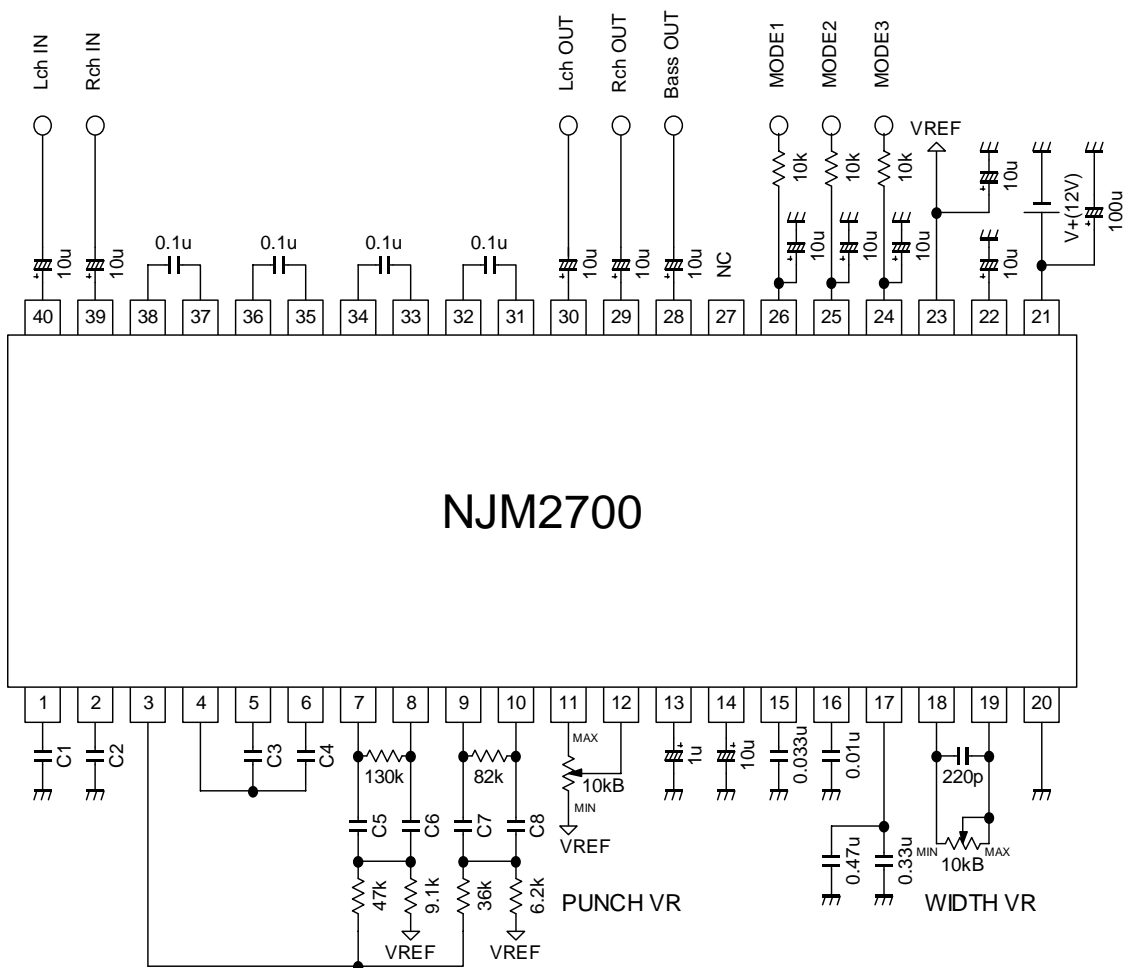
Unit: μF

●**Speaker Size Setting**

Choose speaker size in accordance with f_0 of the speaker.
 (EX.) In the case of $f_0 = 250\text{Hz}$: 250Hz Setting.
 Decide it after you confirm effect with the actual application.

NJM2700

APPLICATION CIRCUIT 2 (SOP40)



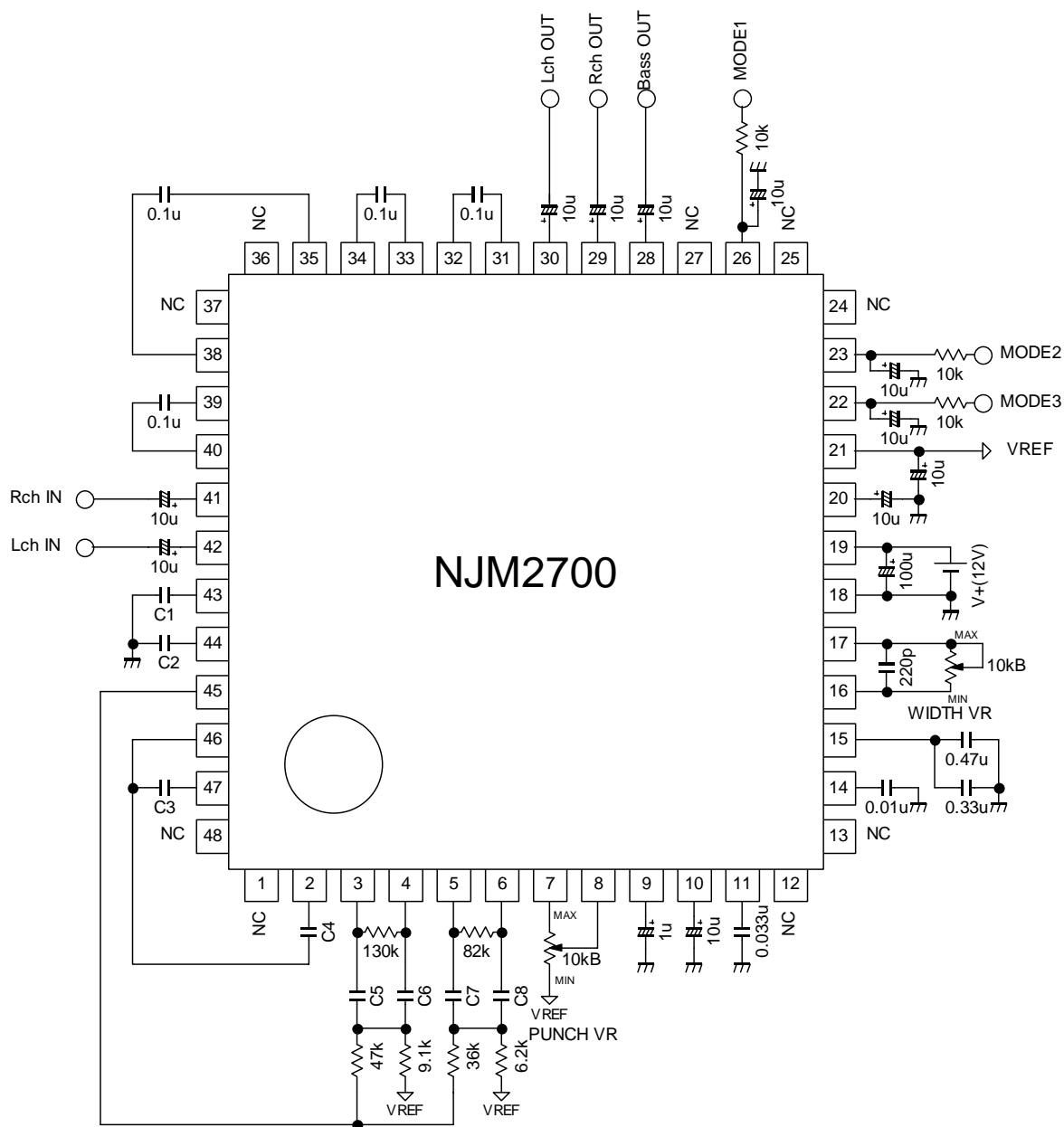
	C1	C2	C3 to C8
40Hz Setting	0.22	0.022	0.12
60Hz Setting	0.15	0.015	0.082
100Hz Setting	0.1	0.01	0.047
150Hz Setting	0.068	0.0068	0.033
200Hz Setting	0.047	0.0047	0.027
250Hz Setting	0.039	0.0039	0.022
300Hz Setting	0.033	0.0033	0.018
400Hz Setting	0.022	0.0022	0.012

Unit: μF

•Speaker Size Setting

Choose speaker size in accordance with f_0 of the speaker.
 (EX.) In the case of $f_0 = 250\text{Hz}$: 250Hz Setting.
 Decide it after you confirm effect with the actual application.

APPLICATION CIRCUIT 2 (QFP48)



	C1	C2	C3 to C8
40Hz Setting	0.22	0.022	0.12
60Hz Setting	0.15	0.015	0.082
100Hz Setting	0.1	0.01	0.047
150Hz Setting	0.068	0.0068	0.033
200Hz Setting	0.047	0.0047	0.027
250Hz Setting	0.039	0.0039	0.022
300Hz Setting	0.033	0.0033	0.018
400Hz Setting	0.022	0.0022	0.012

Unit: μF

•Speaker Size Setting

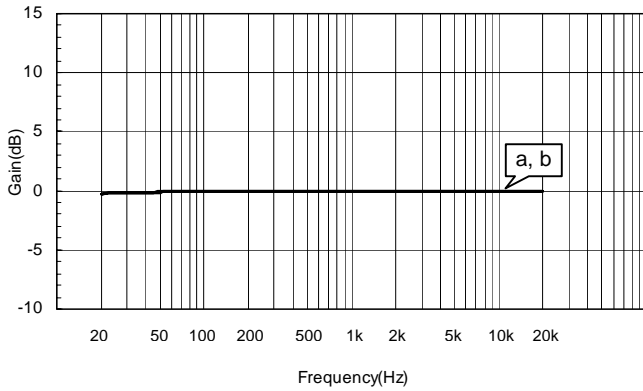
Choose speaker size in accordance with f_0 of the speaker.
 (EX.) In the case of $f_0 = 250\text{Hz}$: 250Hz Setting.
 Decide it after you confirm effect with the actual application.

NJM2700

TYPICAL CHARACTERISTICS

NJM2700 Gain Structure
BYPASS Mode

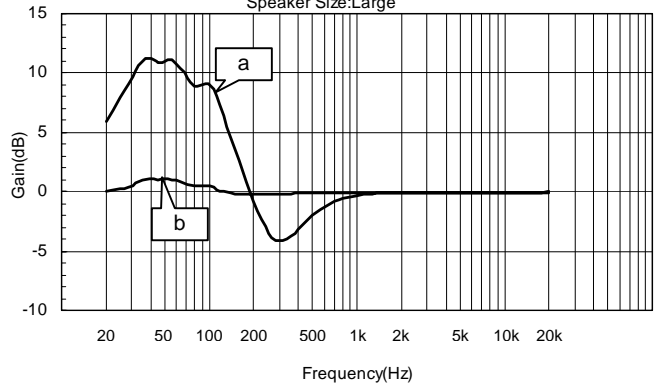
Conditions : Vin=-12.2dBV(245m Vrms),V+=12V



a: Lin - Lout
b: Lin - Rout

NJM2700 Gain Structure
TruBass Mode

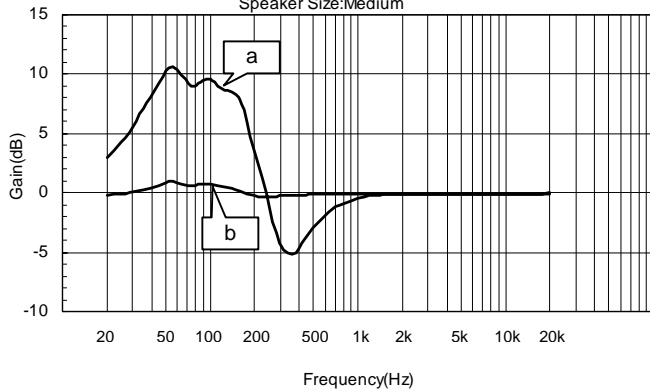
Conditions : Vin=-12.2dBV(245m Vrms) Lch,Vout=Lch,V+=12V
Speaker Size:Large



a: PUNCH VR MAX
b: PUNCH VR MIN

NJM2700 Gain Structure
TruBass Mode

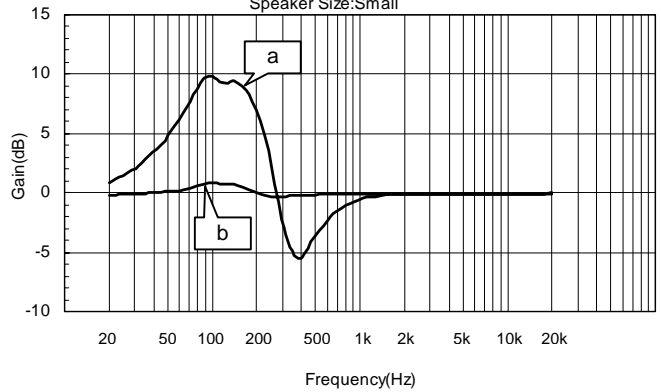
Conditions : Vin=-12.2dBV(245m Vrms) Lch,Vout=Lch,V+=12V
Speaker Size:Medium



a: PUNCH VR MAX
b: PUNCH VR MIN

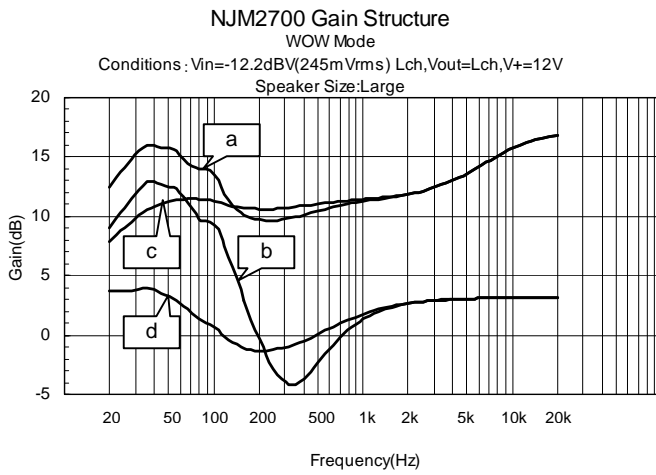
NJM2700 Gain Structure
TruBass Mode

Conditions : Vin=-12.2dBV(245m Vrms) Lch,Vout=LchV+=12V
Speaker Size:Small

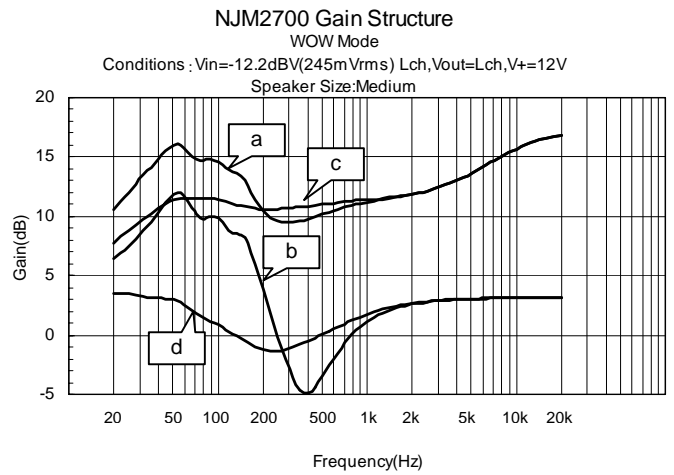


a: PUNCH VR MAX
b: PUNCH VR MIN

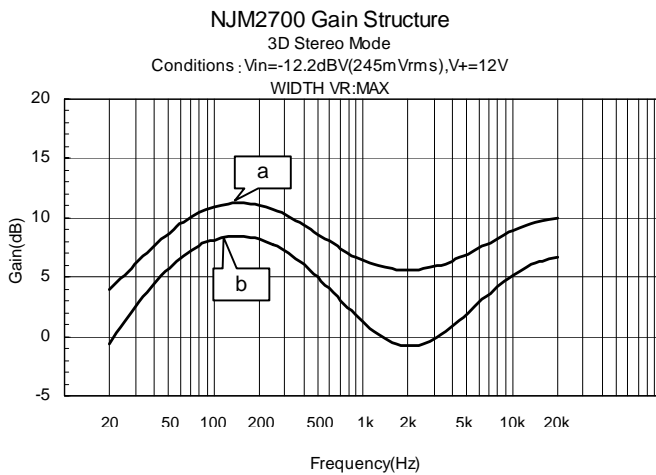
TYPICAL CHARACTERISTICS



- | | |
|------------------|--------------|
| a: PUNCH VR MAX, | WIDTH VR MAX |
| b: PUNCH VR MAX, | WIDTH VR MIN |
| c: PUNCH VR MIN, | WIDTH VR MAX |
| d: PUNCH VR MIN, | WIDTH VR MIN |



- | | |
|------------------|--------------|
| a: PUNCH VR MAX, | WIDTH VR MAX |
| b: PUNCH VR MAX, | WIDTH VR MIN |
| c: PUNCH VR MIN, | WIDTH VR MAX |
| d: PUNCH VR MIN, | WIDTH VR MIN |



- | |
|---------------|
| a: Lin - Lout |
| b: Lin - Rout |

[CAUTION]
The specifications on this databook are only given for information, without any guarantee as regards either mistakes or omissions. The application circuits in this databook are described only to show representative usages of the product and not intended for the guarantee or permission of any right including the industrial rights.