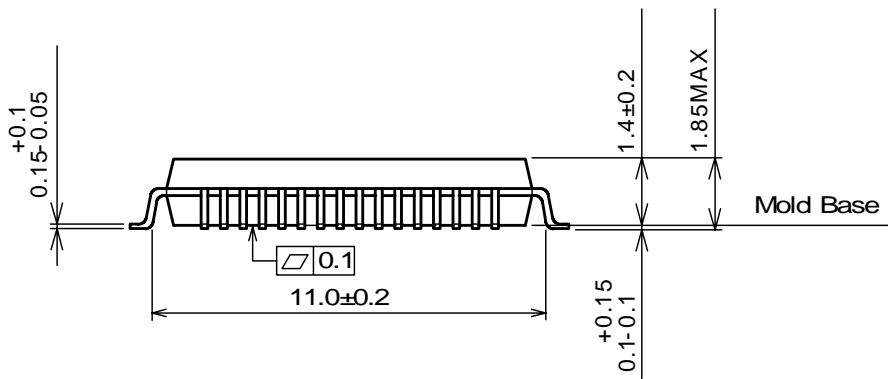
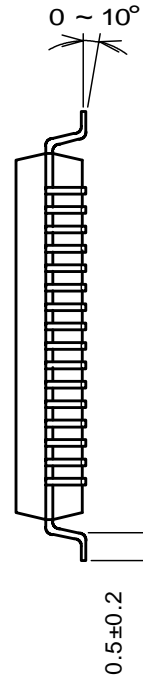
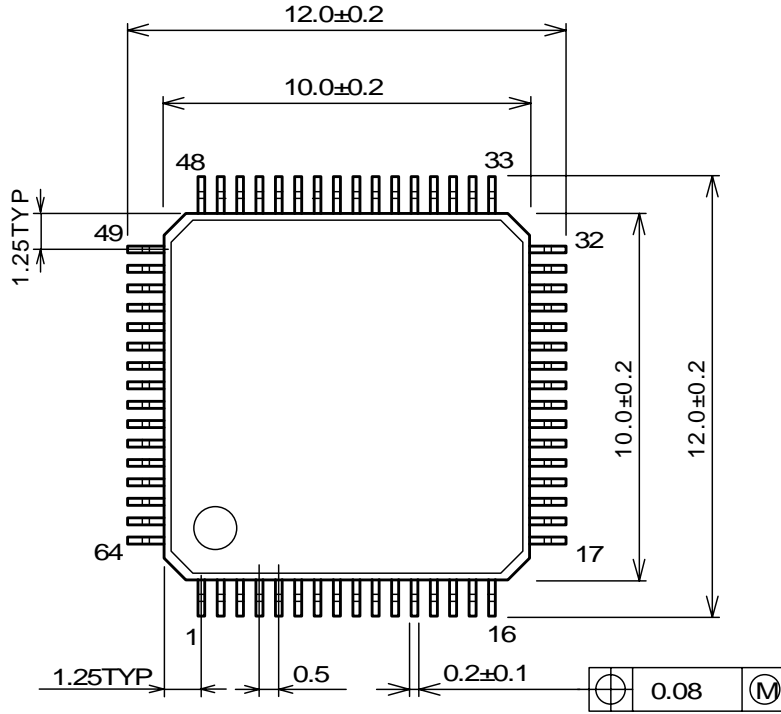


## QFP64-H1

PRELIMINARY



UNIT : mm