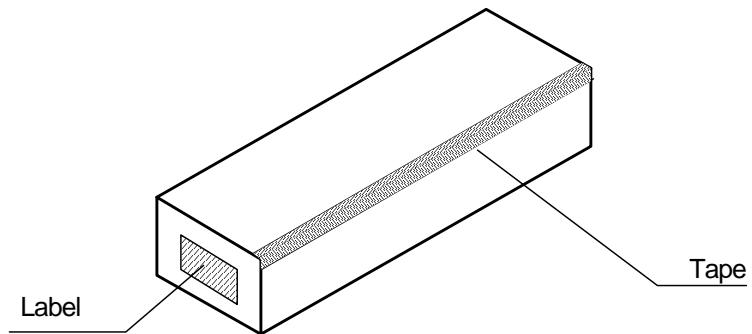
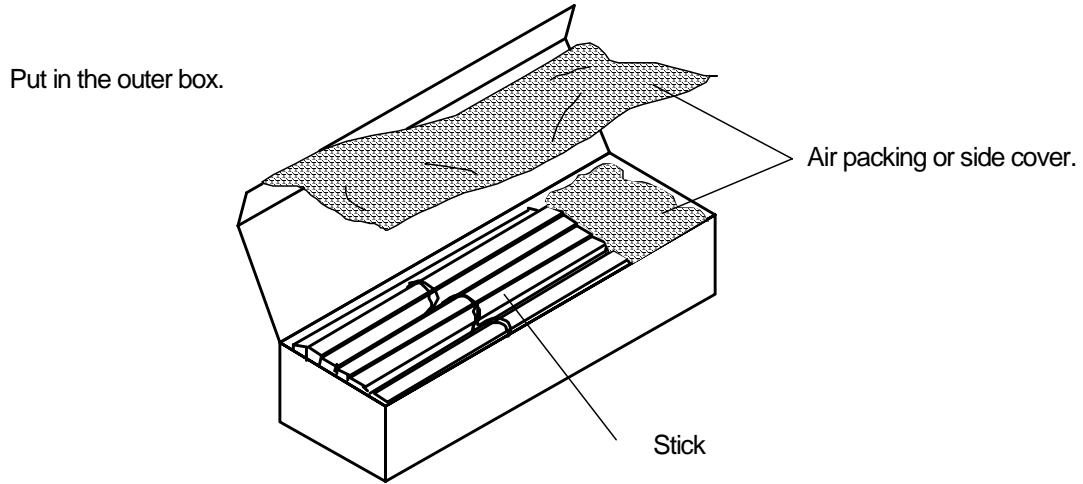


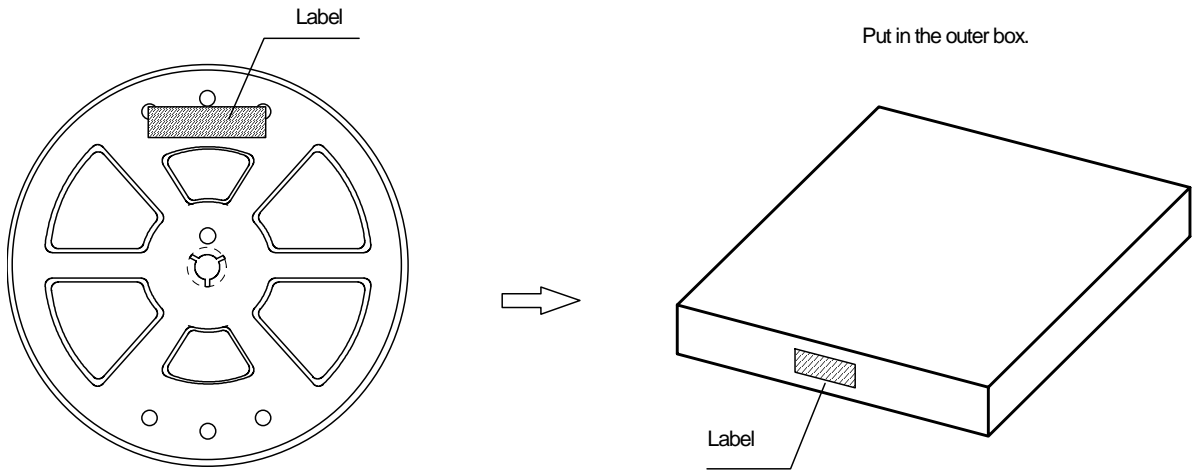
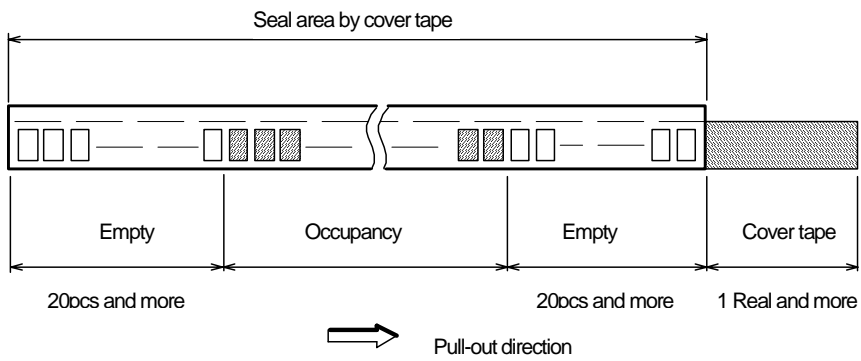
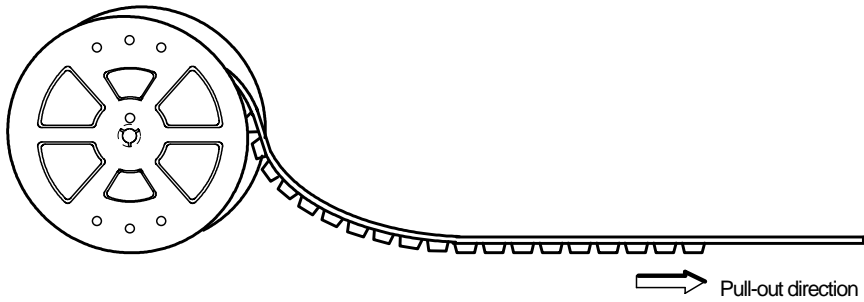
Taping, Stick, Tray of packing illustration are shown in the following.

< Plastic Tube >

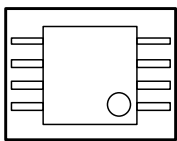


Packing Illustration

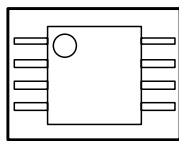
< Emboss Taping >



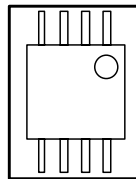
(Insert direction)



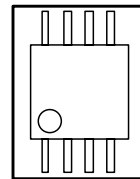
(TE1)



(TE2)

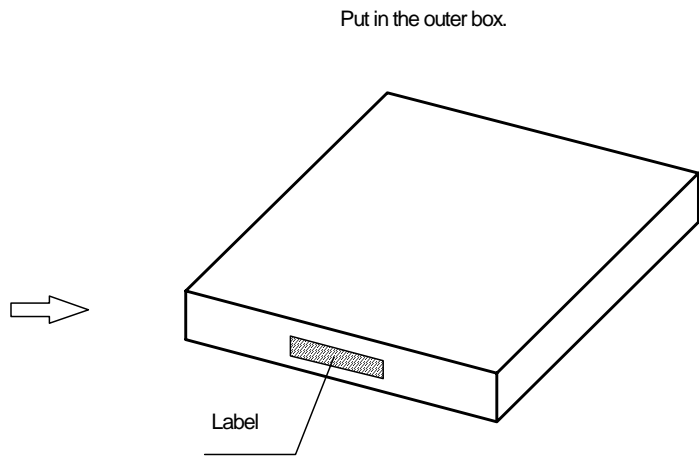
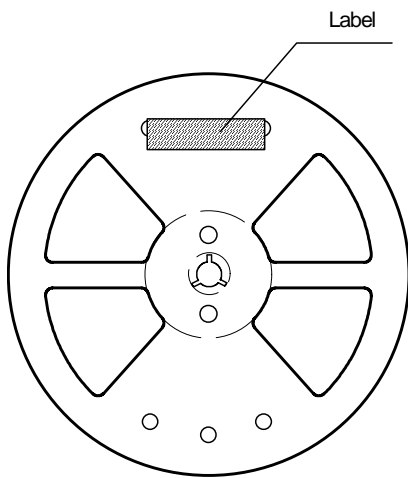
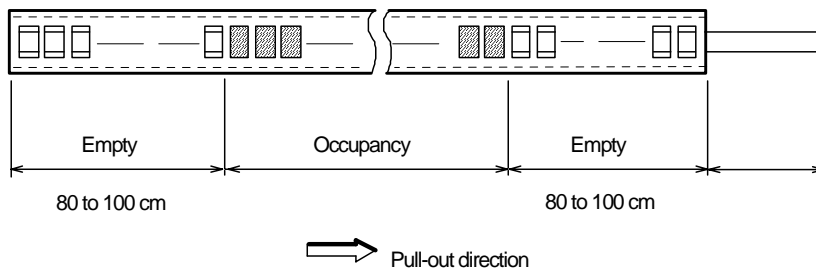
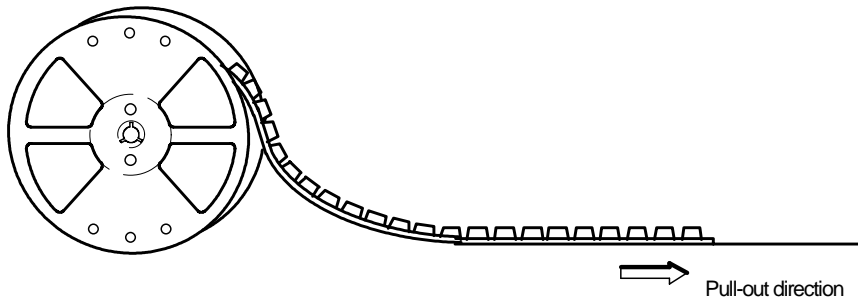


(TE3)

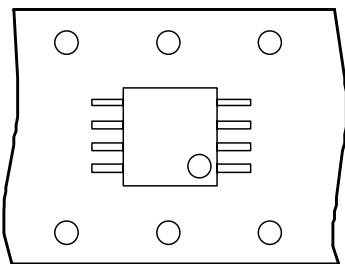


(TE4)

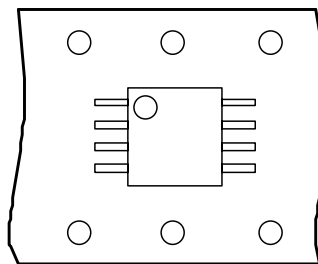
< Adhesive Taping >



(Insert direction)



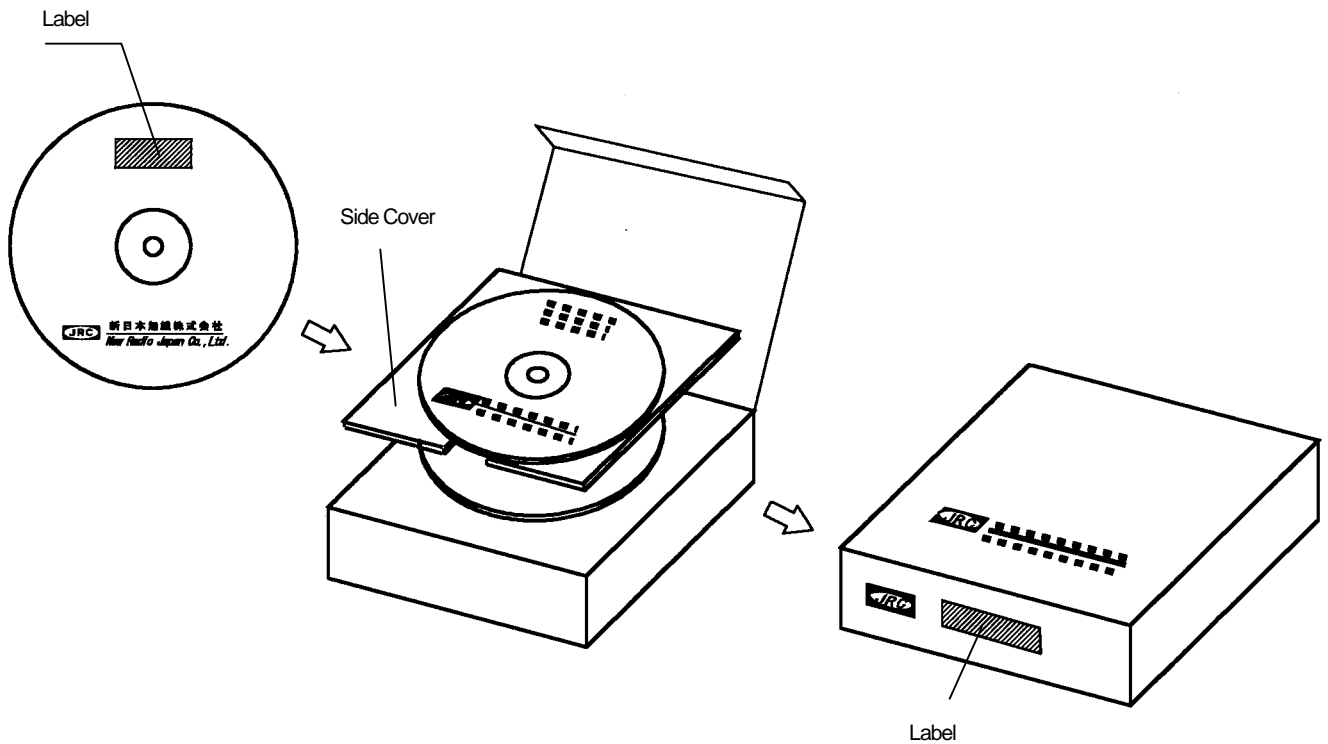
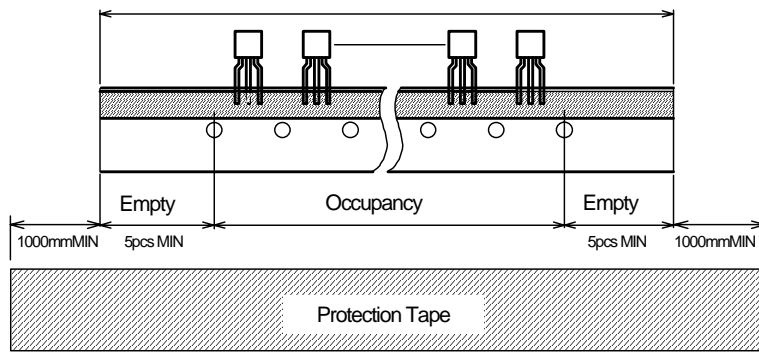
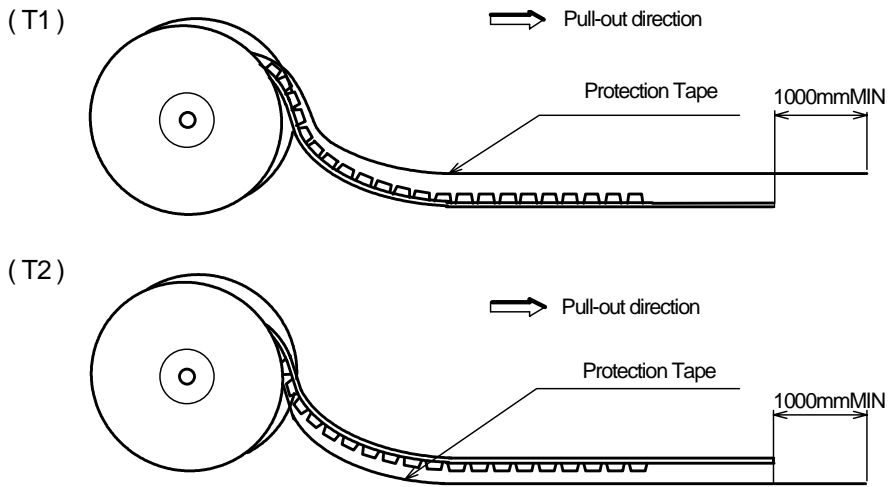
(T1)



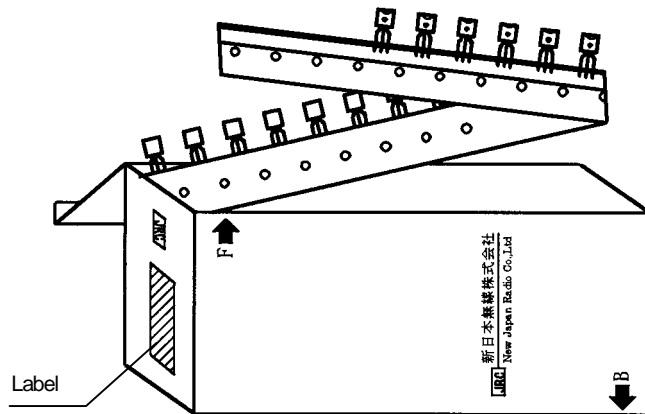
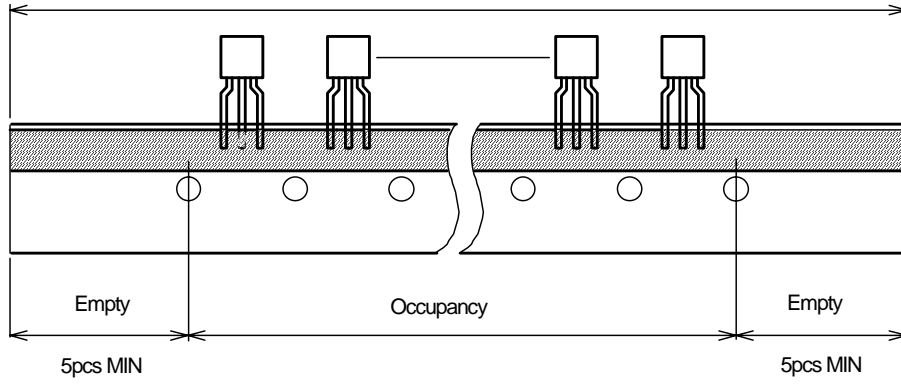
(T2)

Packing Illustration

< TO-92: Adhesive taping (T1,T2) >



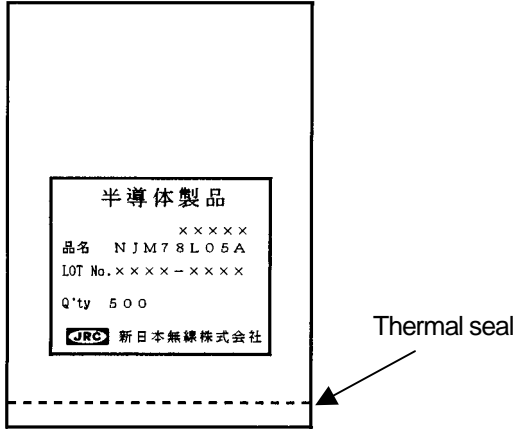
< TO-92: Adhesive taping (T3) >



Packing Illustration

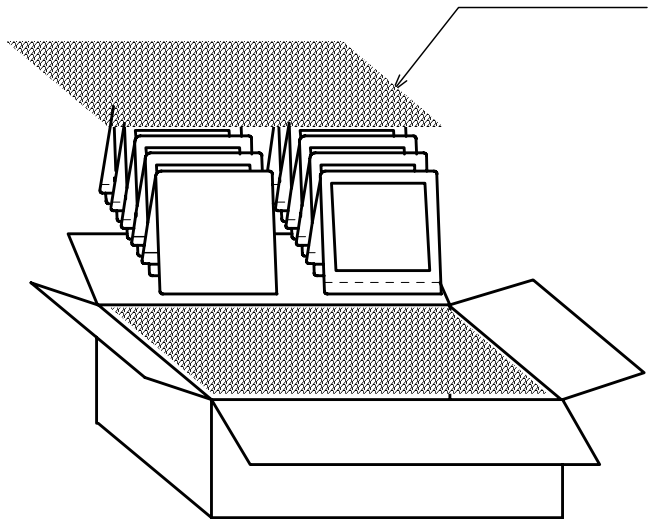
< TO-92: Vinyl bag >

Put in the vinyl bag.

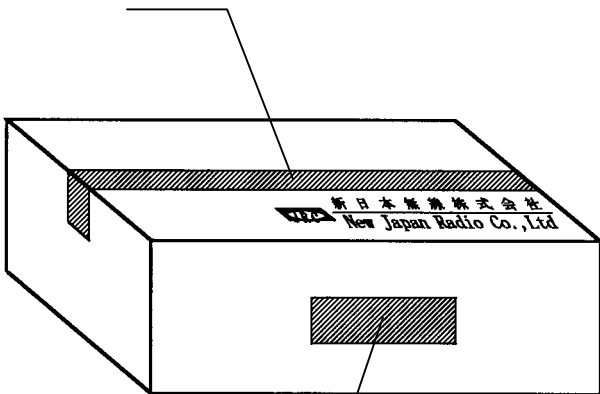


Put in the outer box.

Air packing

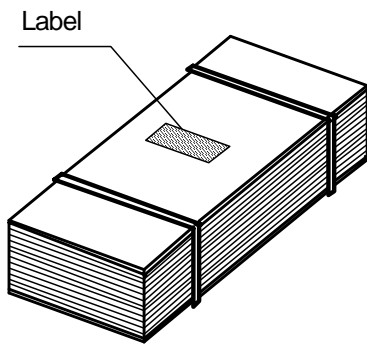
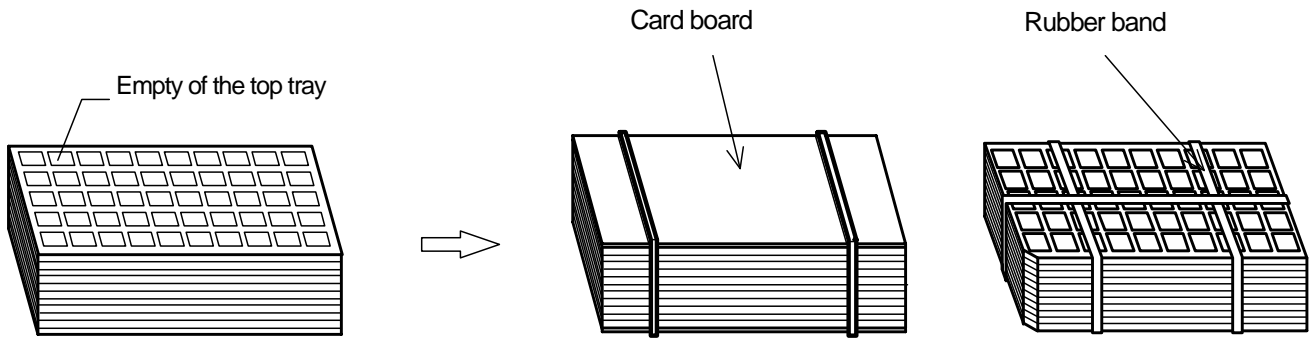


Tape

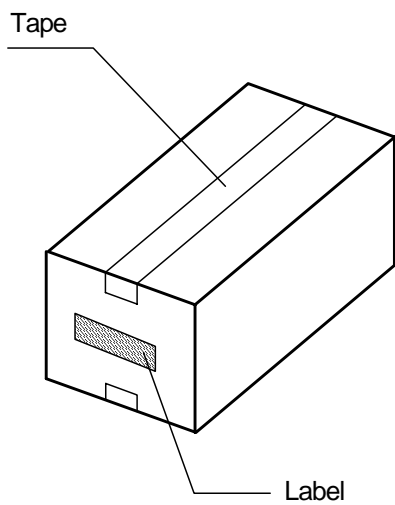
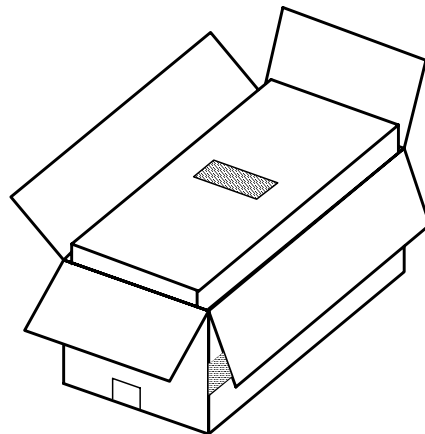


Label

< Tray : Standard >

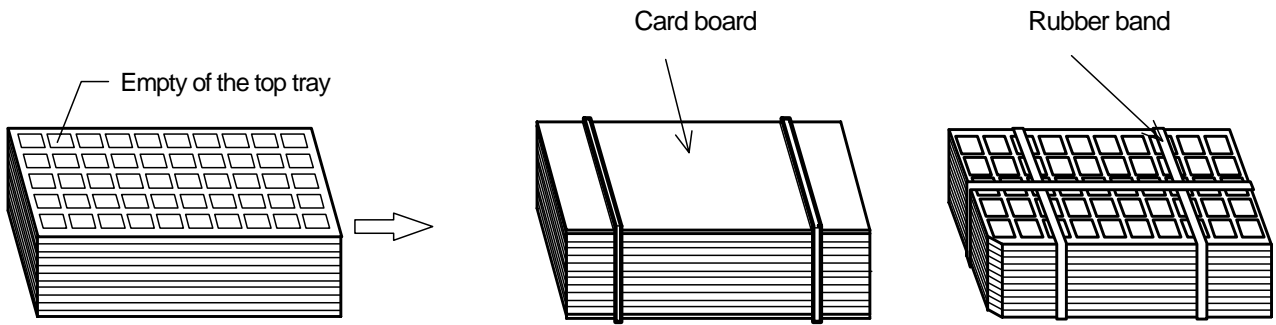


Put in the outer box.

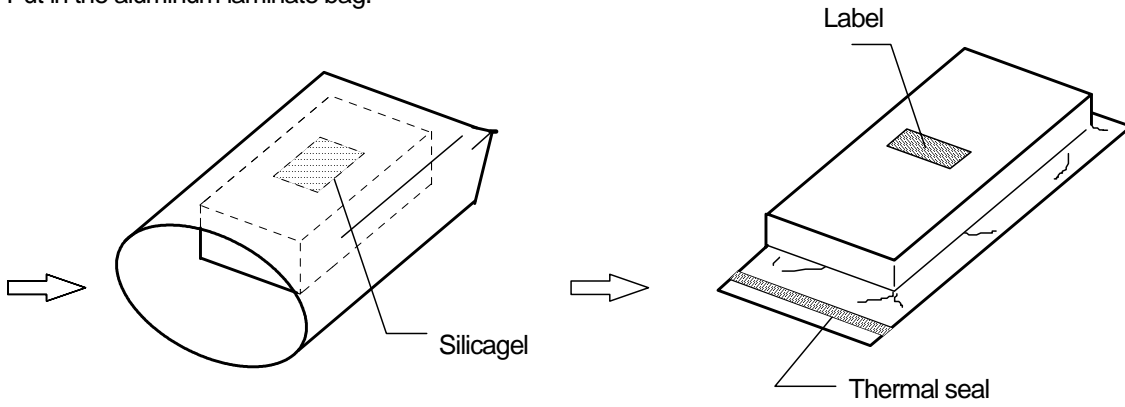


Packing Illustration

< Tray : Aluminum laminate bag >



Put in the aluminum laminate bag.



Put in the outer box.

