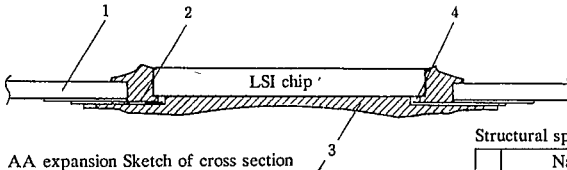
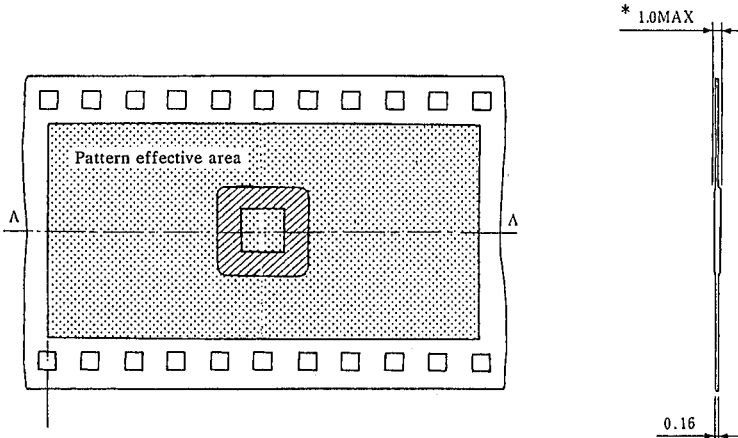


■ TCP(Standard)

(1) Structure



AA expansion Sketch of cross section

(Note)

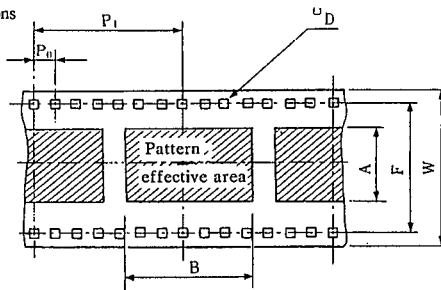
- 1) *Size indicates resin thickness included
- 2) Tape rolling length is 20m long

Structural specification

	Name	Material
1	Basefilm	Polyimide
2	Conductive body Plating	Cu. thin film Electroless tin plating
3	Sealing Material	Epoxi type
4	Bump	Gold

(2) Standard Form of Shipping Out

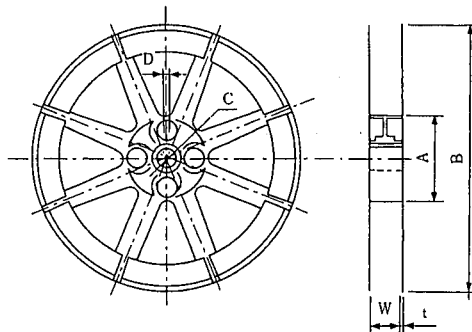
① Tape dimensions



Unit: mm

Symbol	Tape		Remark
	35mm WIDE	70mm WIDE	
A	24.8 MAX	59.0 MAX	Effective area
B	60.0 MAX	66.5 MAX	Effective area
D	1.981	1.981	
F	28.977	63.979	
P ₀	4.75	4.75	
P ₁	61.75MAX	33.25MAX	
W	34.975	69.95	

② Reel dimensions



Unit: mm

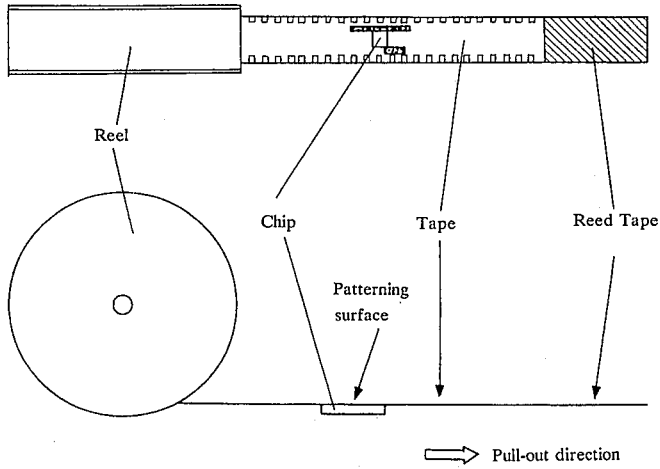
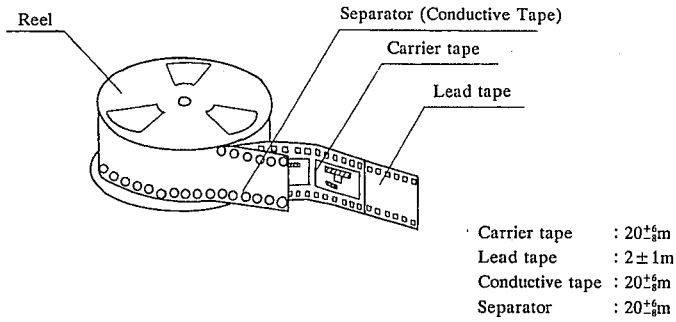
Symbol	Tape	
	35mm WIDE	70mm WIDE
A	φ330	φ330
B	φ105	φ105
C	φ25.9	φ25.9
D	4.0 ± 0.2	4.0 ± 0.2
W	37.0 ± 0.5	72.0 ± 0.5
t	2.5MAX	2.5MAX

※Material: Styrol

(Prevention of electrification)

TCP DIMENSIONS

③Taping Specification



Name	Number of Contained	Tape		Material
		35mmWIDE	70mmWIDE	
Reel	—	Size $\phi 330 \times 23^W$	Size $\phi 330 \times 77^W$	Styrol
Outer box	1 Reel	$343 \times 336 \times 50$	$343 \times 336 \times 85$	Cardboard
Package bag	1 Reel	$440 \times 480 \times 0.08$	$440 \times 480 \times 0.08$	Sheet for prevention of electrification

