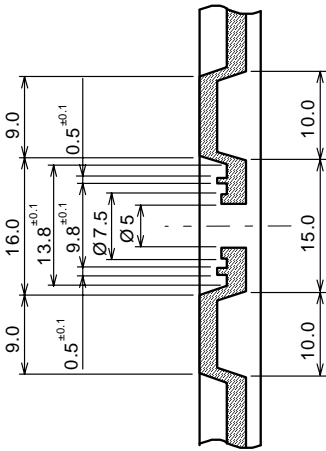
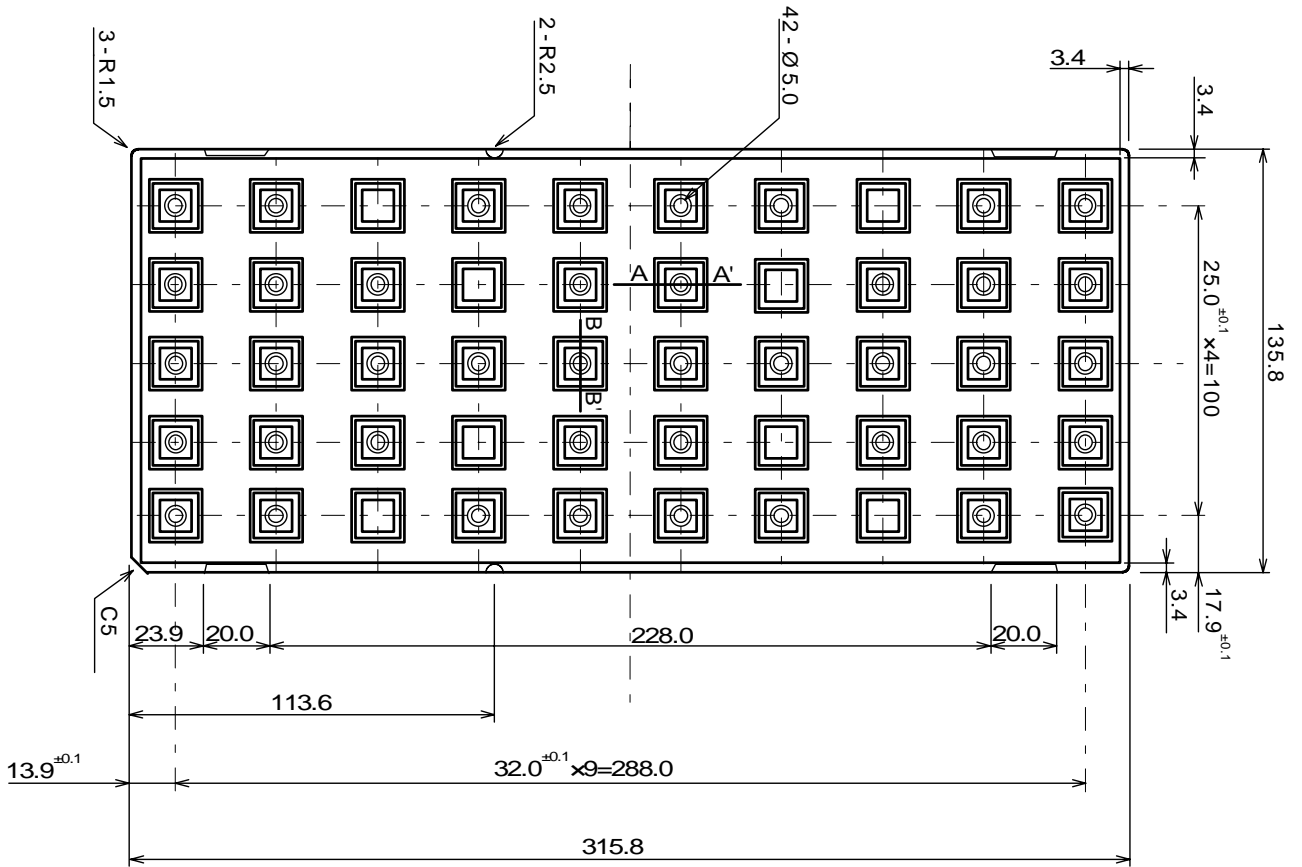
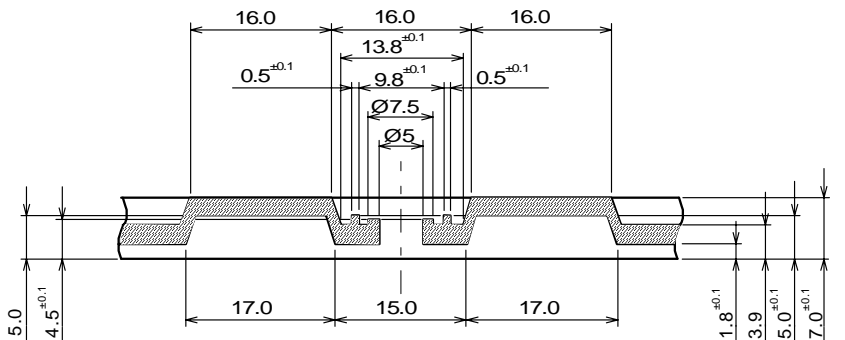


## TRAY DIMENSIONS

(1) Hard Tray Dimensions for QFP44-A1, QFP56-A1



BB Cross Section



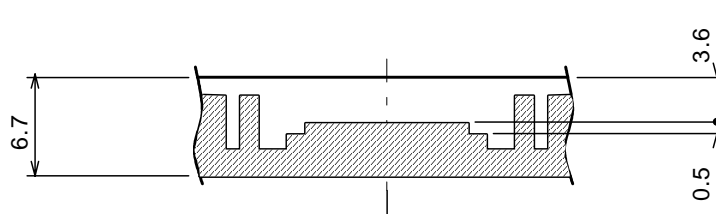
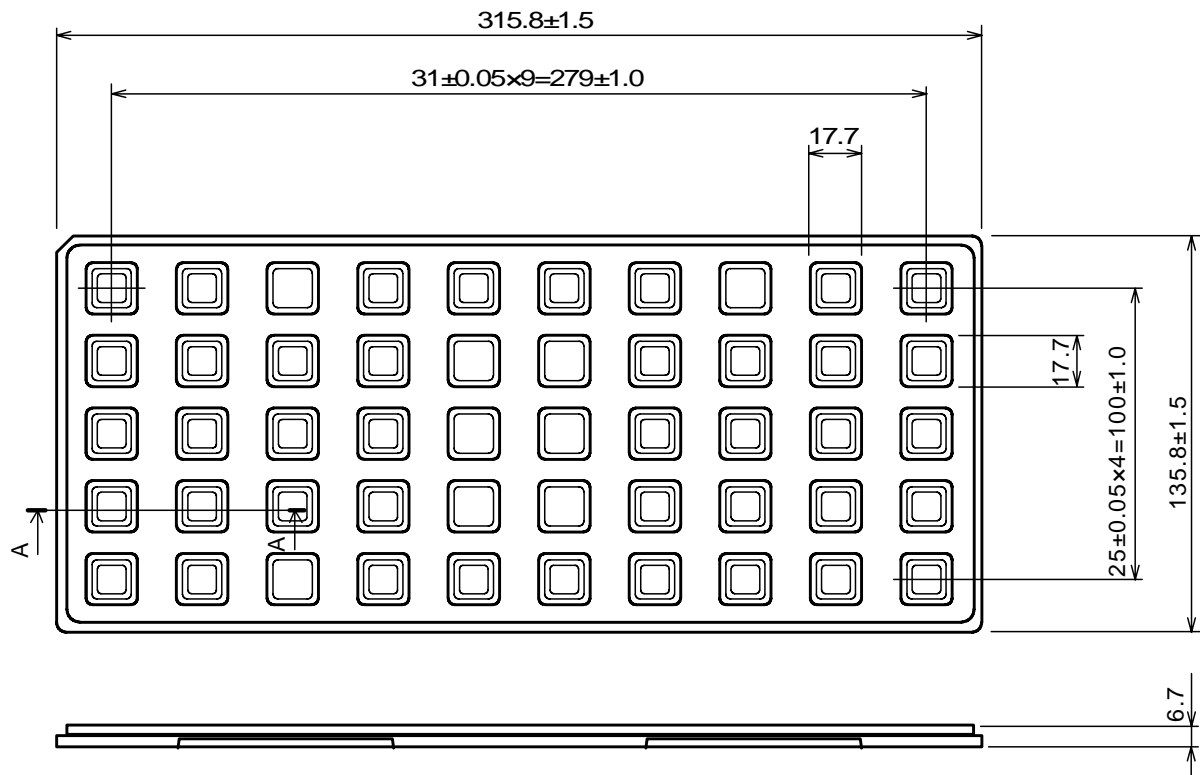
AA Cross Section

Unit : mm

Material	Polypropylene (Anti Electrostatic treatment)
Maximum Contents	50pcs

# TRAY DIMENSIONS

## (2) Hard Tray Dimensions for QFP64-B2



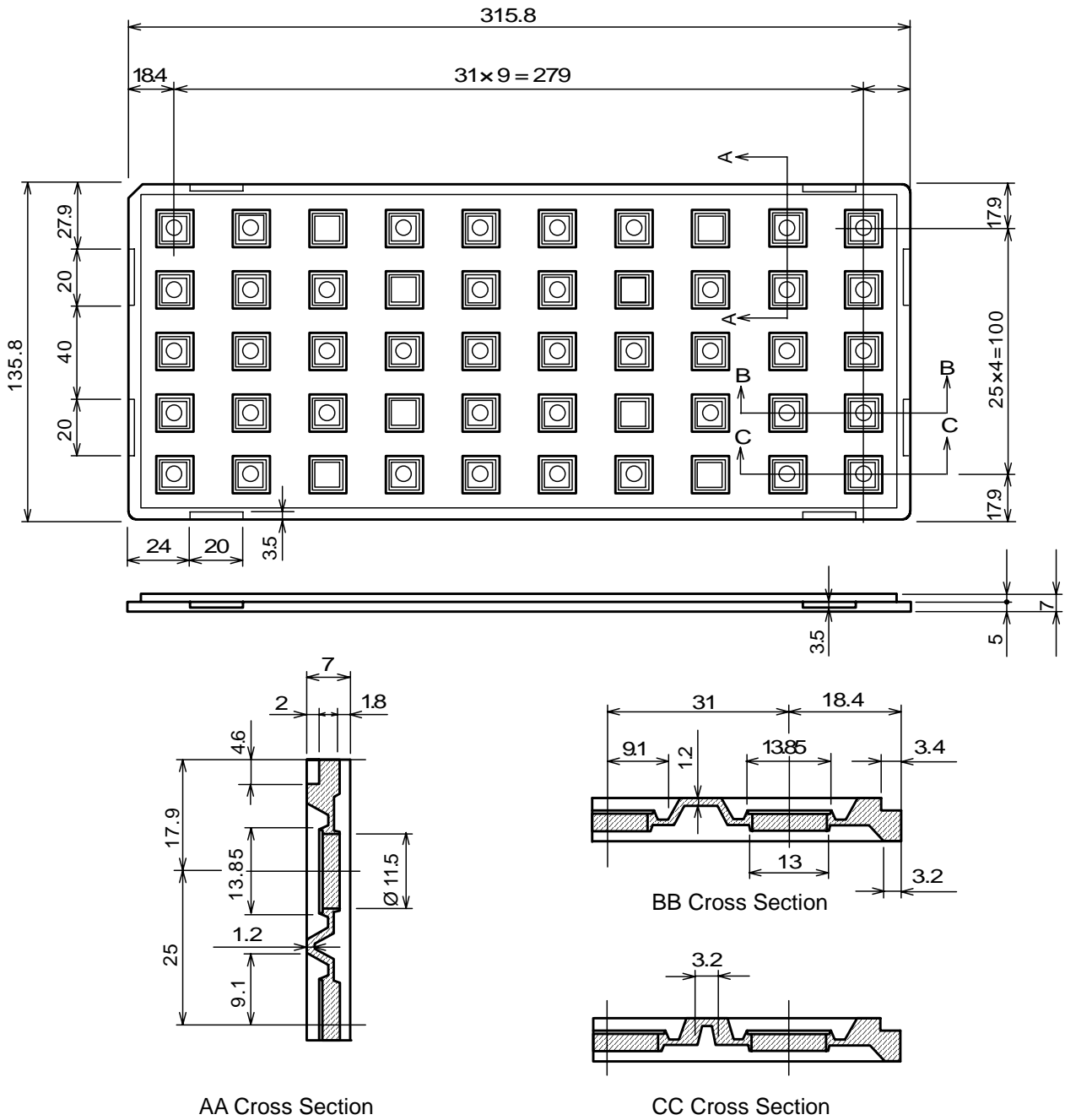
AA Cross Section

Unit : mm

Maximum Contents	50pcs
------------------	-------

# TRAY DIMENSIONS

## (3) Hard Tray Dimensions for QFP64-B3



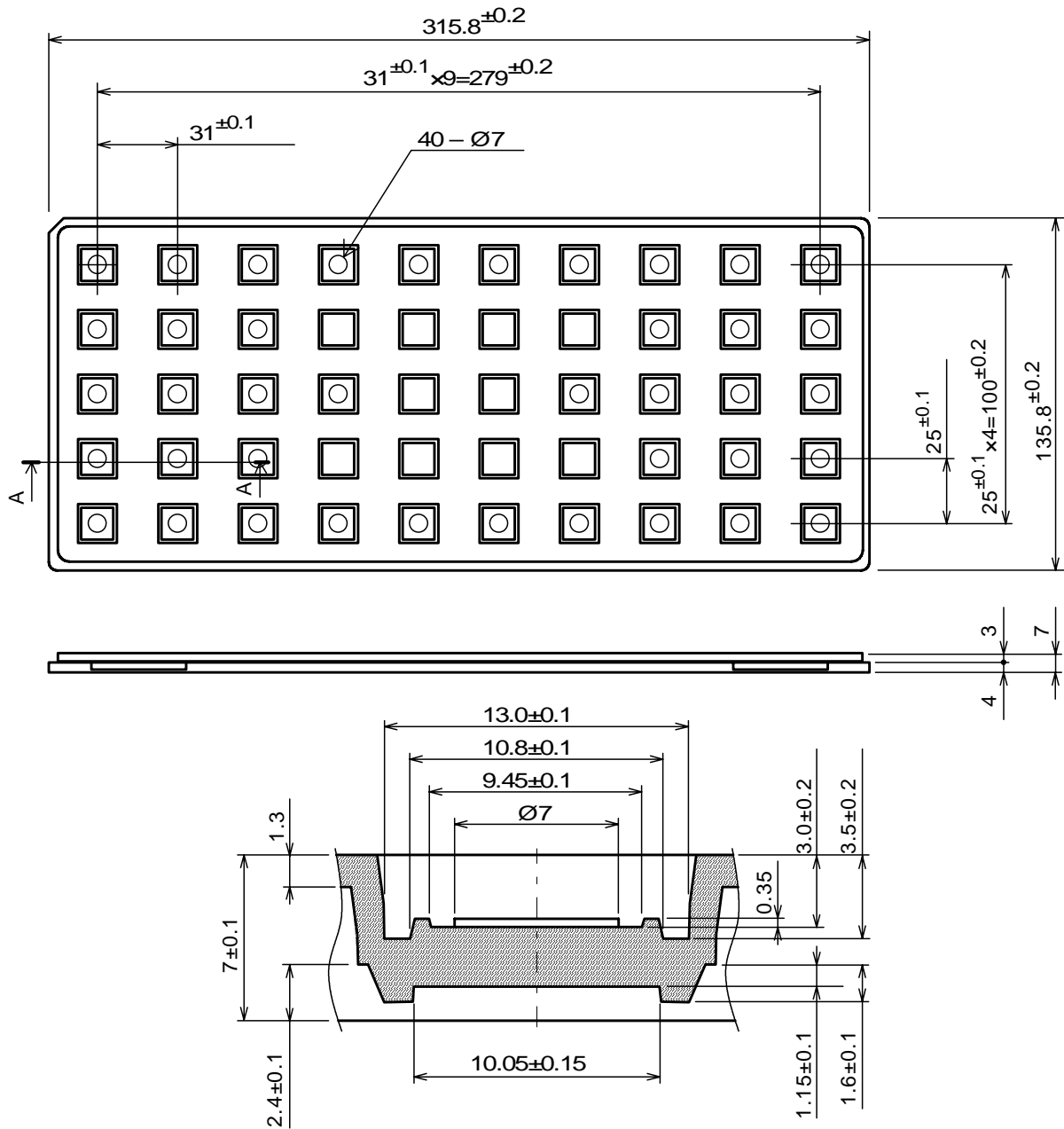
Unit : mm

Material	Conductive Resin
Maximum Contents	50pcs



# TRAY DIMENSIONS

## (5) Hard Tray Dimensions for QFP64-D1



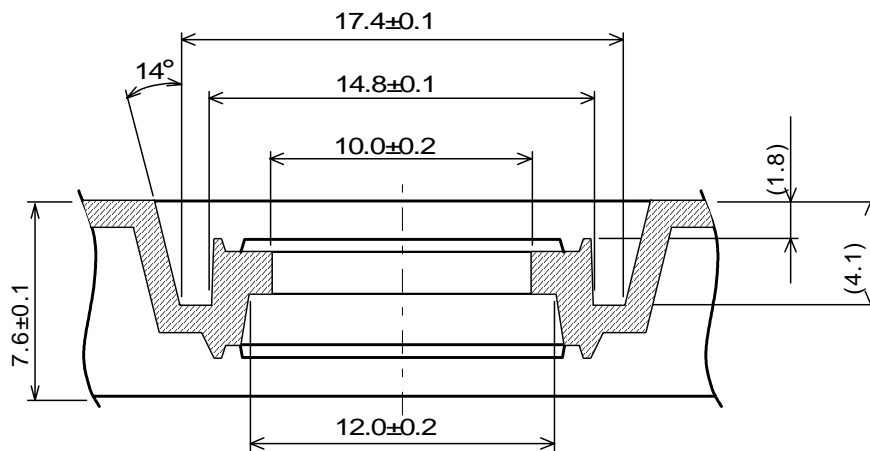
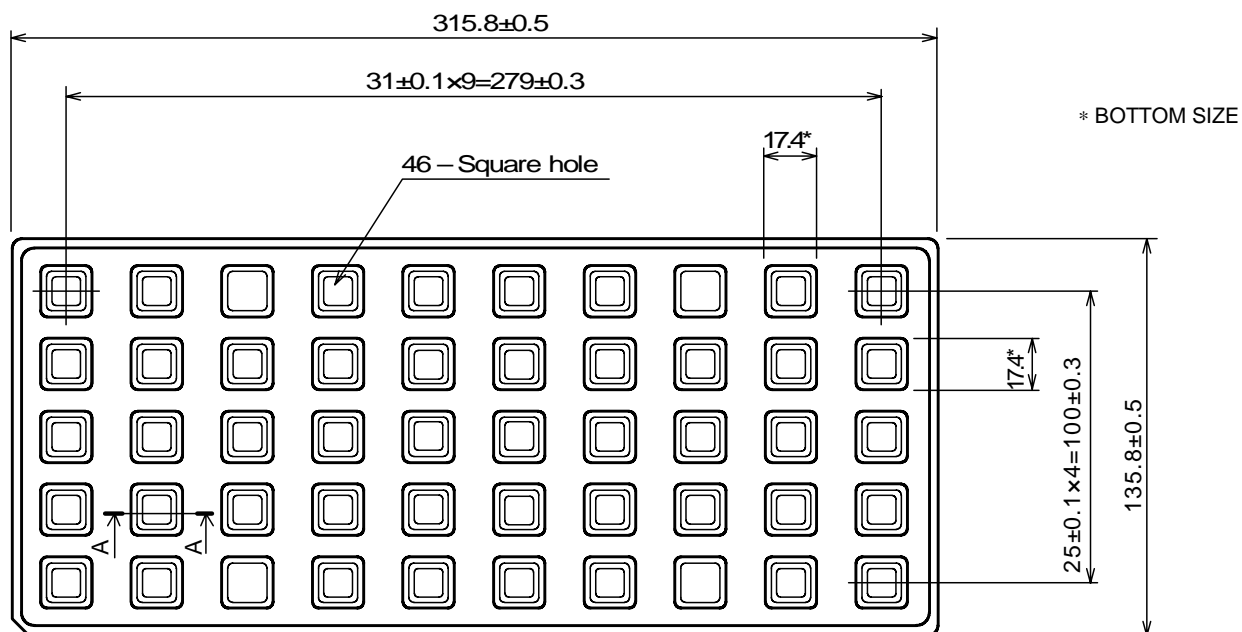
AA Cross Section

Unit : mm

Material	Polystyrene
Maximum Contents	50pcs

# TRAY DIMENSIONS

(6) Hard Tray Dimensions for QFP64-G1, QFP80-G1, QFP100-G1



AA Cross Section

Unit : mm

Material	Polypropylene (Anti Electrostatic treatment)	
Maximum Contents	50pcs	