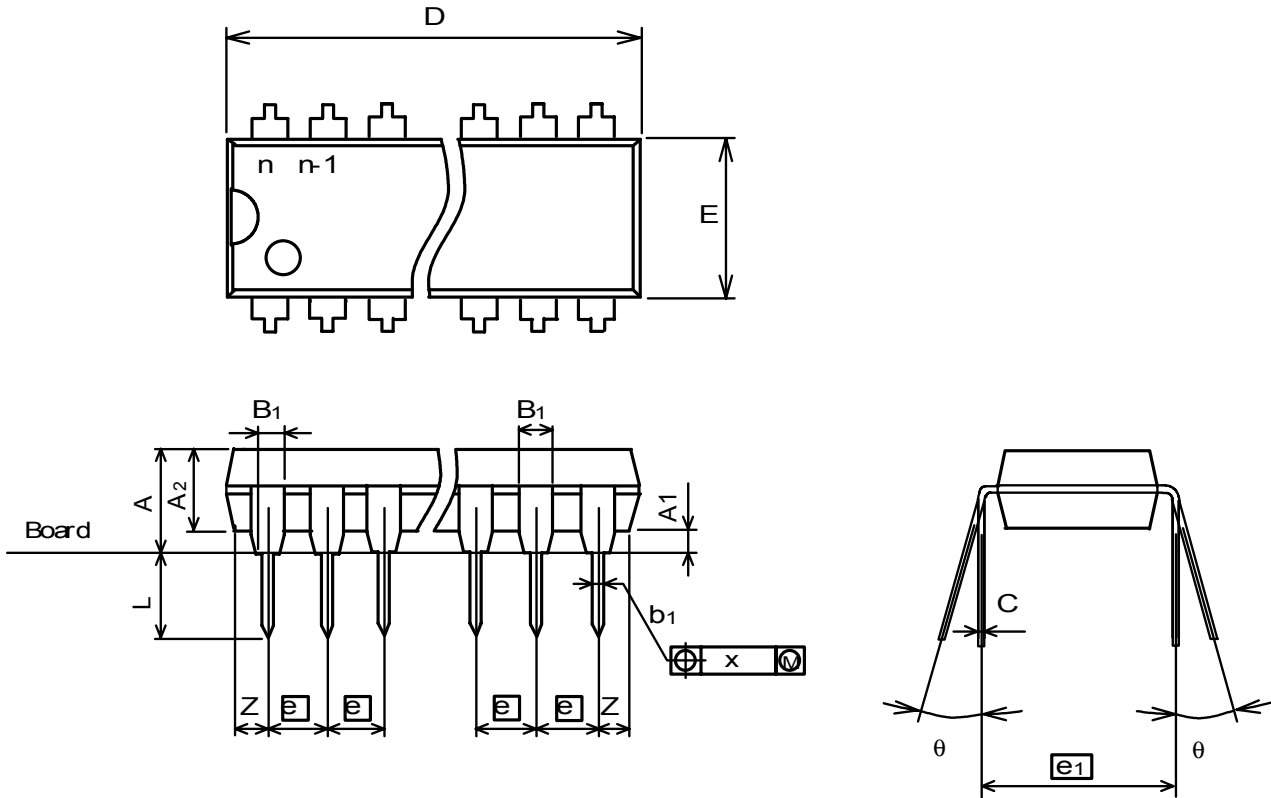


The typical symbols using in our package outline dimensions are as follows.
For further information, please contact to our sales offices.

< Lead Insertion Type >

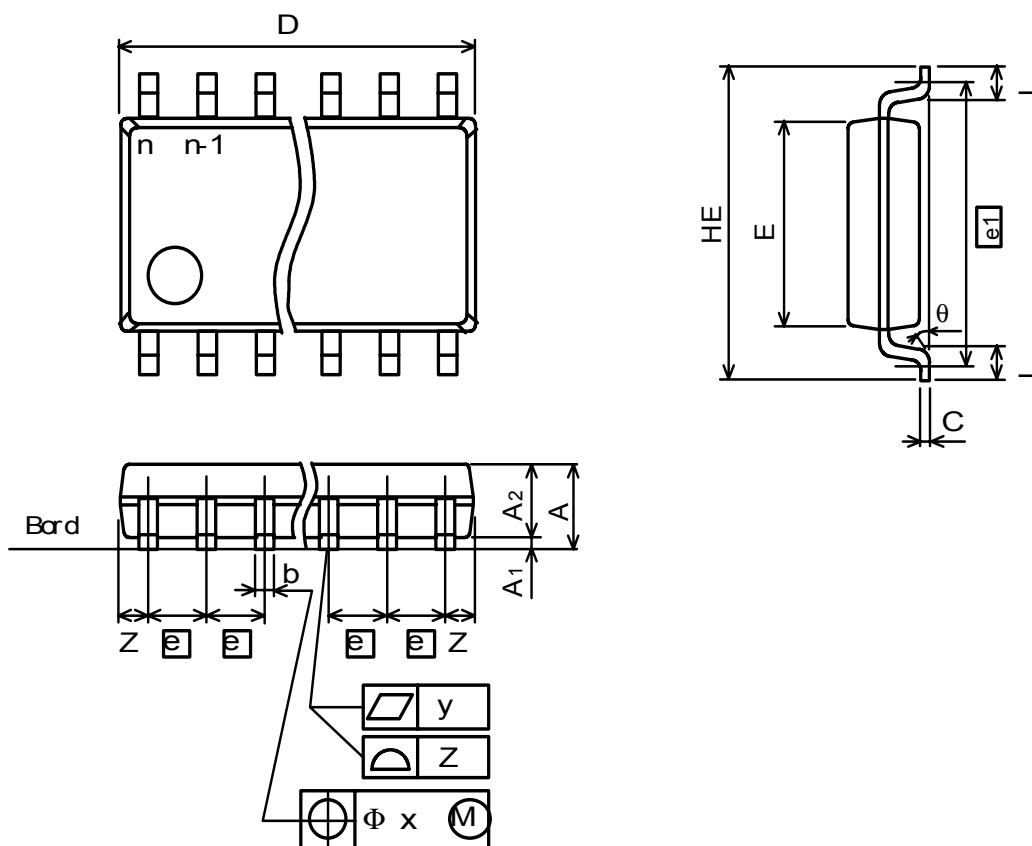


Symbol	Remarks
A	Board to package top height
A1	Stand off
A2	Package thickness
b1	Lead width
B1	Maximum lead width
C	Lead thickness
D	Package Length
E	Package width

Symbol	Remarks
e	Lead pitch
e1	Lead to lead width
θ	Lead angle
Z	Over hang
\oplus	Lead center accuracy
(M)	Permissible range

Typical Symbols in Package Outline Dimensions

< Surface mount type >



Symbol	Remarks
A	Board to package top height
A1	Stand off
A2	Package height
b1	Lead width
C	Lead thickness
D	Package length
E	Package width
e	Lead pitch
e_1	Low space

Symbol	Remarks
θ	lead flat angle
Z	over hang
	lead planarity
	lead out-line accuracy
\oplus	Lead center accuracy
\textcircled{M}	Permissible range