

## 4. Recommended Solder Pads for Surface Mount Package

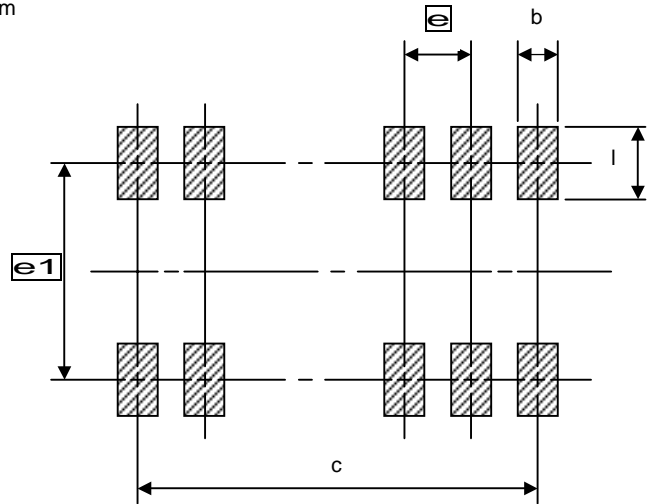
Recommended solder pads for each package are shown in the following table.  
Please take easiness of mounting, reliability of bonding, prevention of solder bridge, margin of pattern area into consideration when designing the solder pads.

### 1) Example of Solder Pads Dimensions DMP/SDMP/SOP/EMP/MTP/FLP/SSOP/VSP

PKG	b	l	c	e1	e
DMP8	0.72	1.27	3.81	6.10	1.27
DMP14	0.72	1.27	7.62	6.10	1.27
DMP16	0.72	1.27	8.89	6.10	1.27
DMP20	0.72	1.27	8.55	6.10	0.95
DMP24	0.72	1.27	13.97	9.53	1.27
SDMP30	0.60	1.27	14.00	9.53	1.00
SOP8	0.76	1.27	3.81	6.07	1.27
SOP18	0.76	1.27	10.16	7.07	1.27
SOP20	0.76	1.27	11.43	7.07	1.27
SOP22	0.76	1.27	12.70	7.07	1.27
SOP24	0.76	1.27	13.97	10.07	1.27
SOP28	0.76	1.27	16.51	9.17	1.27
SOP32-GL1	0.72	1.50	19.05	13.20	1.27
SOP40	0.76	1.27	24.13	11.70	1.27
SOP40-GK1	0.72	1.50	24.13	13.20	1.27
EMP8	0.72	1.27	3.81	5.72	1.27
EMP14	0.72	1.27	7.62	5.72	1.27
EMP16-E2	0.72	1.27	8.89	9.53	1.27
EMP20-E2	0.72	1.27	11.43	9.53	1.27
EMP24-E3	0.72	1.27	13.97	9.53	1.27
MTP6	0.7	1.00	1.90	2.40	0.95
MTP6-1	0.7	1.00	1.90	2.40	0.95
SC-88A	0.30	0.80	1.30	1.90	0.65
FLP6-B2	0.40	0.50	1.30	1.80	0.65
FLP6-C3	0.50	0.50	1.90	2.50	0.95
FLP10-C1	0.25	0.60	2.00	2.50	0.50
SSOP8	0.35	1.00	1.95	5.90	0.65
SSOP10	0.225	1.00	2.00	5.90	0.50
SSOP14	0.35	1.00	3.90	5.90	0.65
SSOP16	0.35	1.00	4.55	5.90	0.65
SSOP20	0.35	1.00	5.85	5.90	0.65
SSOP20-F1	0.45	1.00	7.20	7.30	0.80
SSOP20-B2	0.225	1.00	4.50	5.90	0.50
SSOP24	0.45	1.00	8.80	7.30	0.80
VSP8	0.225	1.00	1.95	3.50	0.65
VSP10	0.225	1.00	2.00	3.50	0.50

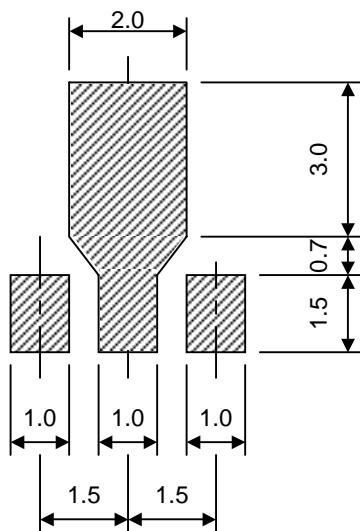
TVSP8	0.225	1.00	1.95	3.50	0.65
TVSP10	0.225	1.00	2.00	3.50	0.50

Unit : mm



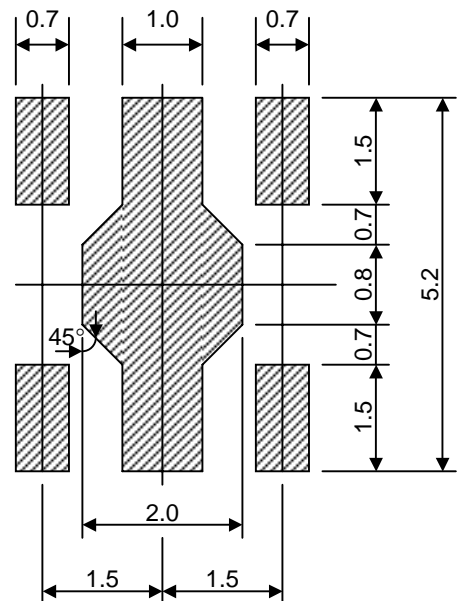
Note : These solder pads dimensions are just examples.  
When designing PCB, please estimate the pattern carefully.

### SOT-89



Note : These solder pads dimensions are just examples.  
When designing PCB, please estimate the pattern carefully.

### SOT-89(5pin)



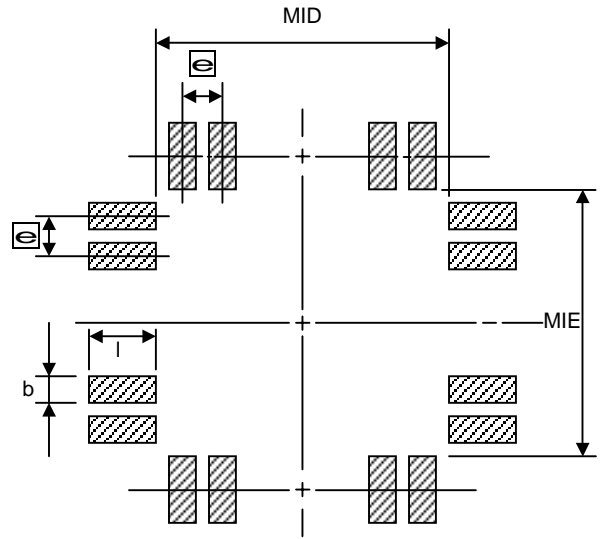
Unit : mm

# RECOMMENDED SOLDER PADS

## PLCC/QFP

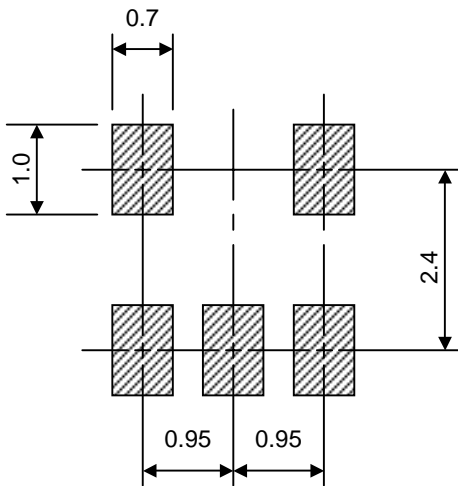
PKG	MOLD SIZE	b	l	e	MID	MIE
PLCC28-M2	11.51×11.51	0.75	2.00	1.27	8.81	8.81
QFP32-J1	7×7	0.50	1.00	0.80	7.4	7.4
QFP44-A1	10×10	0.50	1.20	0.80	10.4	10.4
QFP44-B1	14×14	0.70	1.80	1.00	14.4	14.4
QFP56-A1	10×10	0.35	1.20	0.65	10.4	10.4
QFP64-B2	14×14	0.50	1.60	0.80	14.4	14.4
QFP64-B3	14×14	0.50	1.40	0.80	14.4	14.4
QFP64-C1	20×14	0.70	2.80	1.00	20.4	14.4
QFP64-C2	20×14	0.70	2.00	1.00	20.4	14.4
QFP64-D1	10×10	0.225	1.00	0.50	10.4	10.4
QFP80-C1(1)	20×14	0.50	2.80	0.80	20.4	14.4
QFP80-C1(2)	20×14	0.50	2.80	0.80	20.4	14.4
QFP80-C2	20×14	0.50	2.00	0.80	20.4	14.4
QFP80-C3	20×14	0.50	2.00	0.80	20.4	14.4
QFP100-C1(1)	20×14	0.35	2.80	0.65	20.4	14.4
QFP100-C1(2)	20×14	0.35	2.80	0.65	20.4	14.4
QFP100-C2	20×14	0.35	2.00	0.65	20.4	14.4
QFP64-G1	14×14	0.50	1.00	0.80	14.4	14.4
QFP80-G1	14×14	0.35	1.00	0.65	14.4	14.4
QFP100-G1	14×14	0.225	1.00	0.50	14.4	14.4

Unit : mm

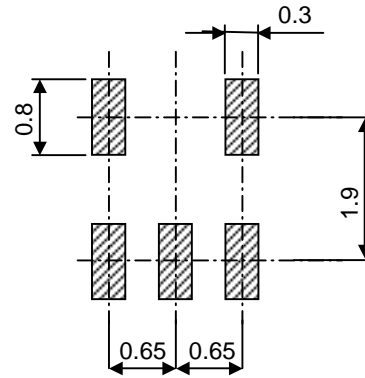


Note : These solder pads dimensions are just examples.  
When designing PCB, please estimate the pattern carefully.

## MTP5



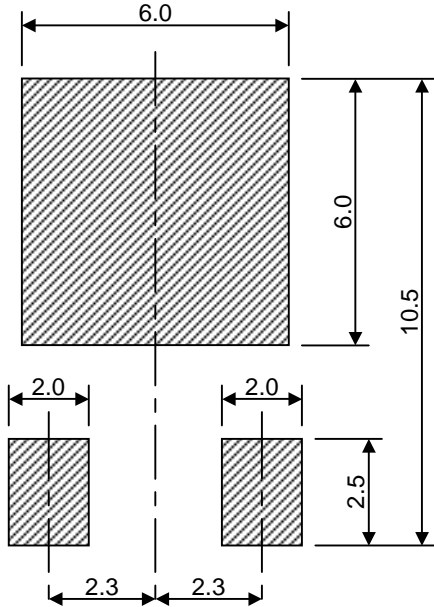
## SC-88A



Note : These solder pads dimensions are just examples.  
When designing PCB, please estimate the pattern carefully.

Unit : mm

TO-252

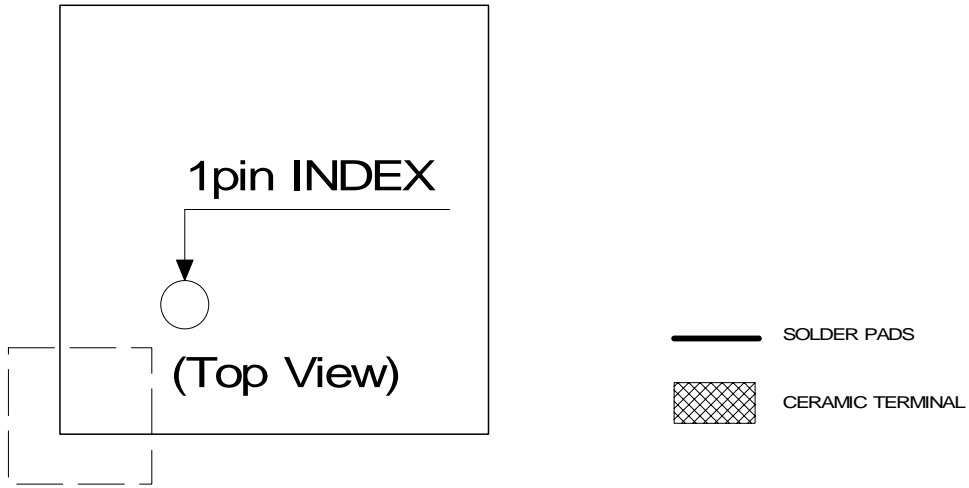


Note : These solder pads dimensions are just examples.  
When designing PCB, please estimate the pattern carefully.

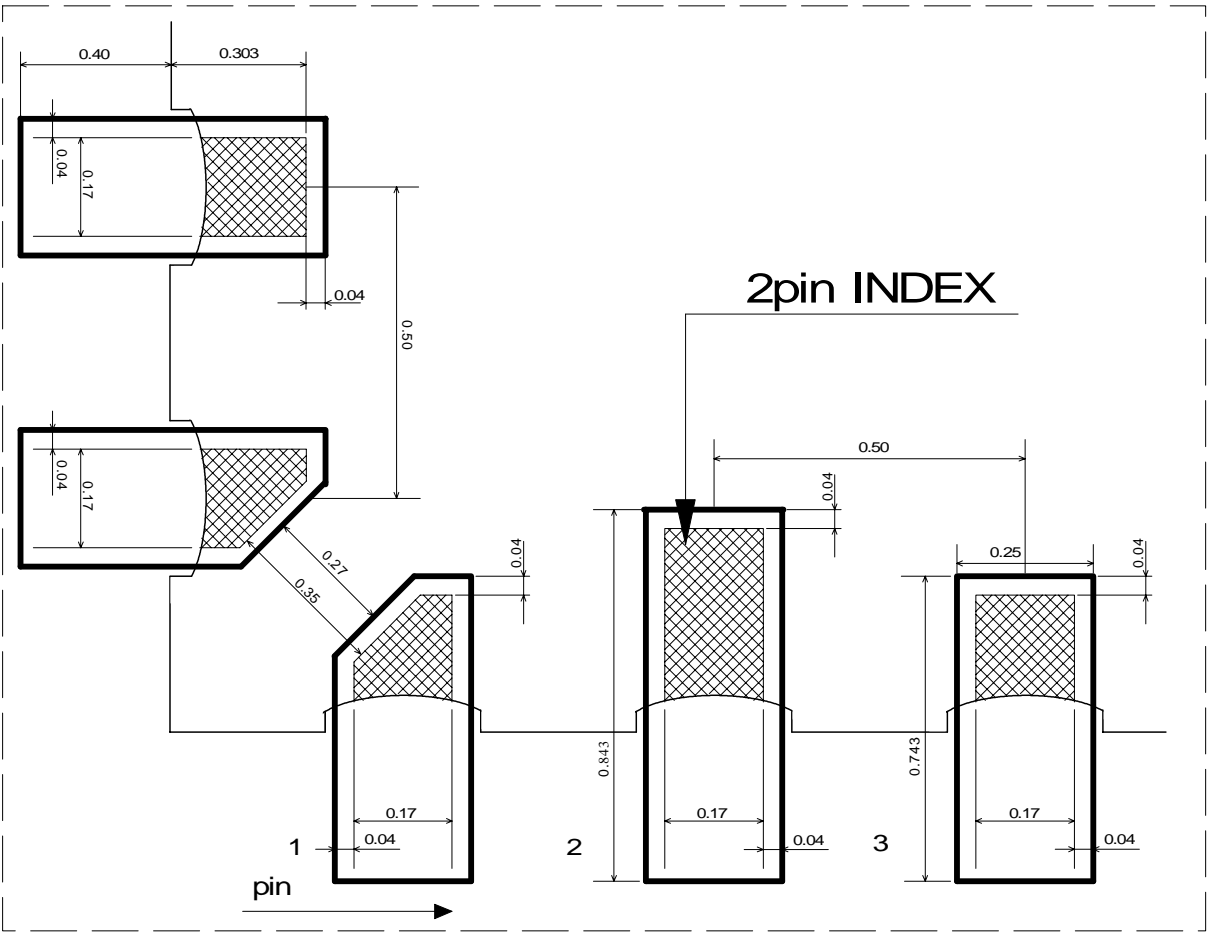
Unit : mm

# RECOMMENDED SOLDER PADS

FFP



## FFP SOLDER PADS

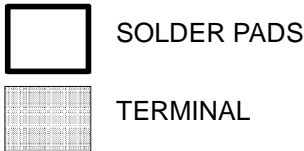
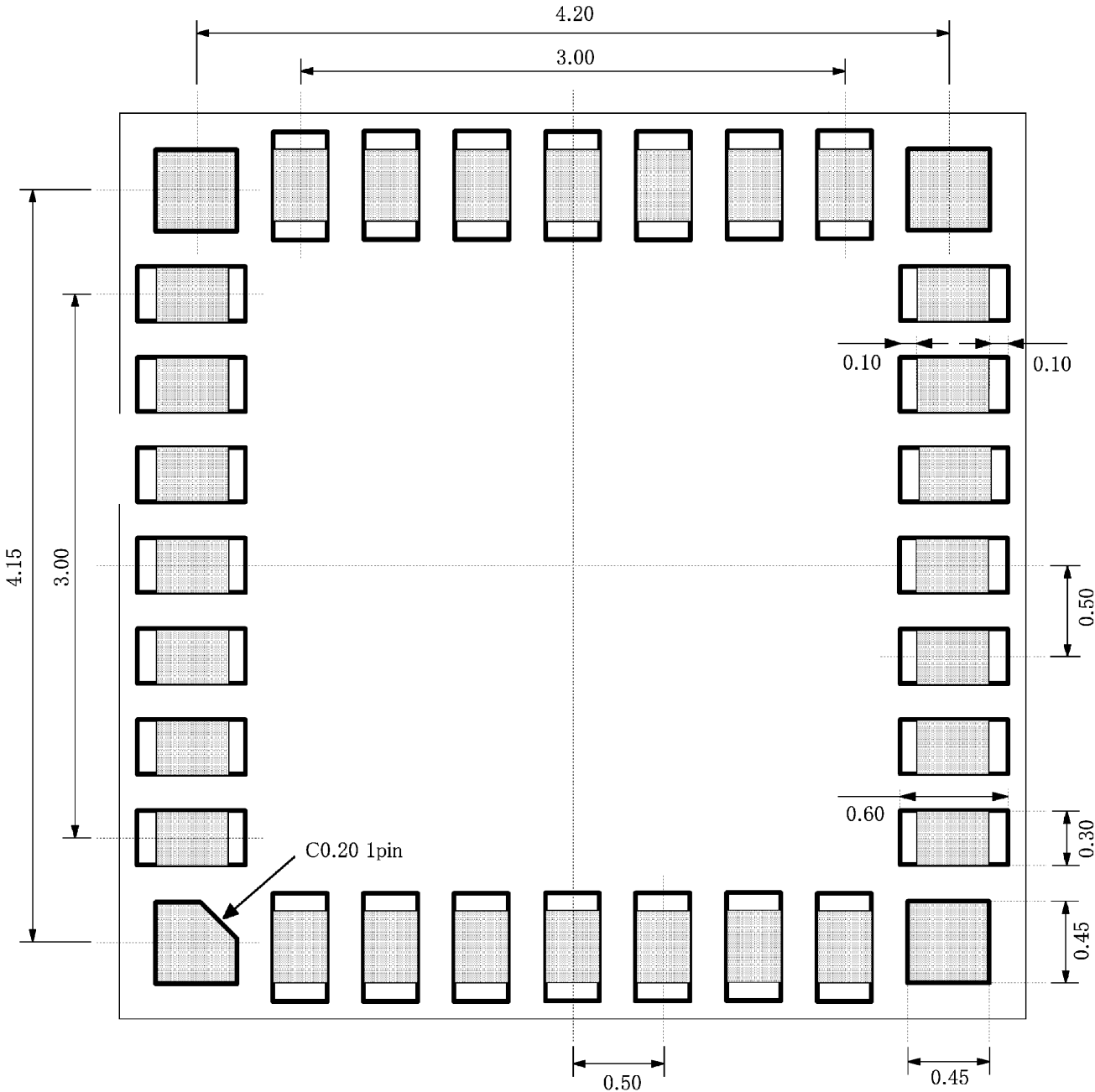


Note : These solder pads dimensions are just examples.  
When designing PCB, please estimate the pattern carefully.

Unit : mm

# RECOMMENDED SOLDER PADS

## BCC32



Note : These solder pads dimensions are just examples.  
When designing PCB, please estimate the pattern carefully.

Unit : mm