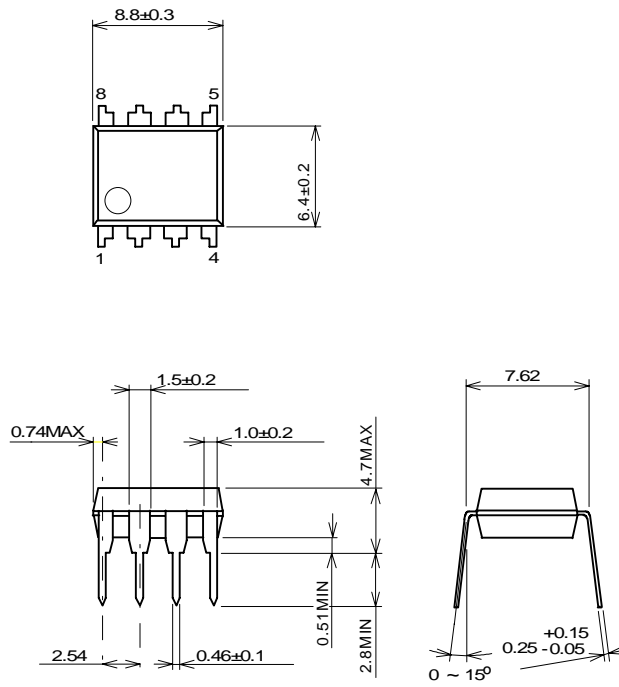


# PACKAGE DIMENSIONS

## DIP8

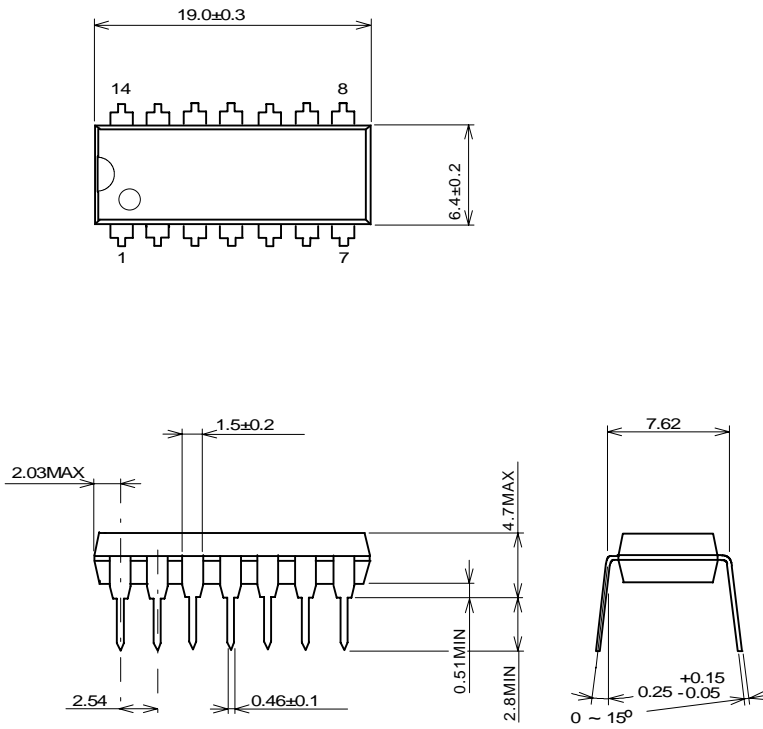


UNIT: mm

UNIT: mm

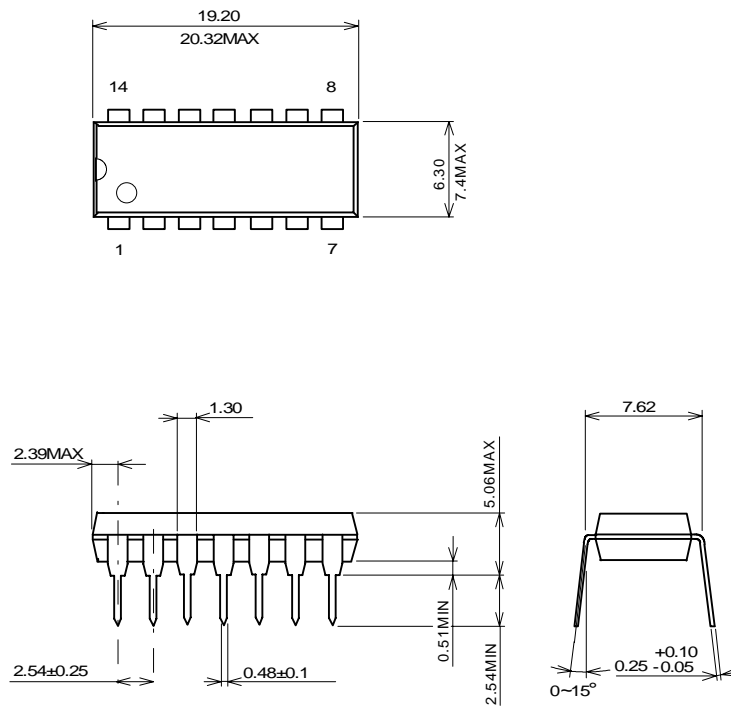
# PACKAGE DIMENSIONS

## DIP14



UNIT: mm

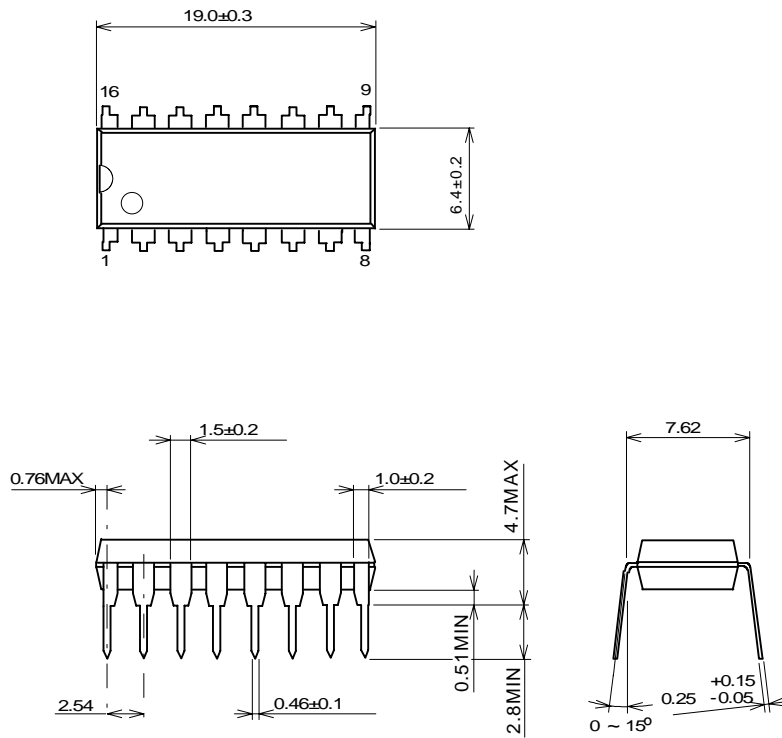
## DIP14-D1



UNIT: mm

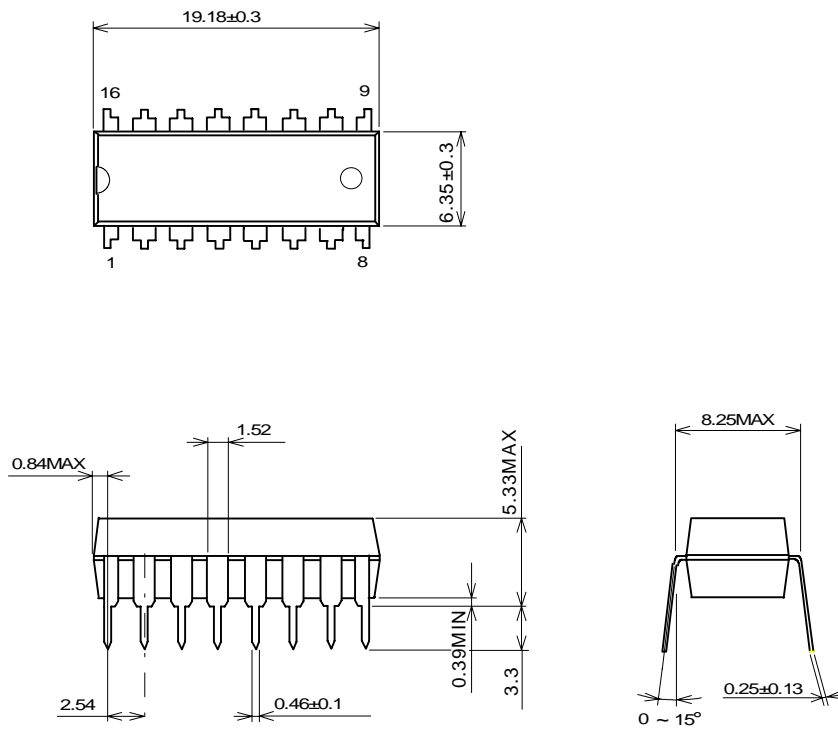
# PACKAGE DIMENSIONS

## DIP16



UNIT: mm

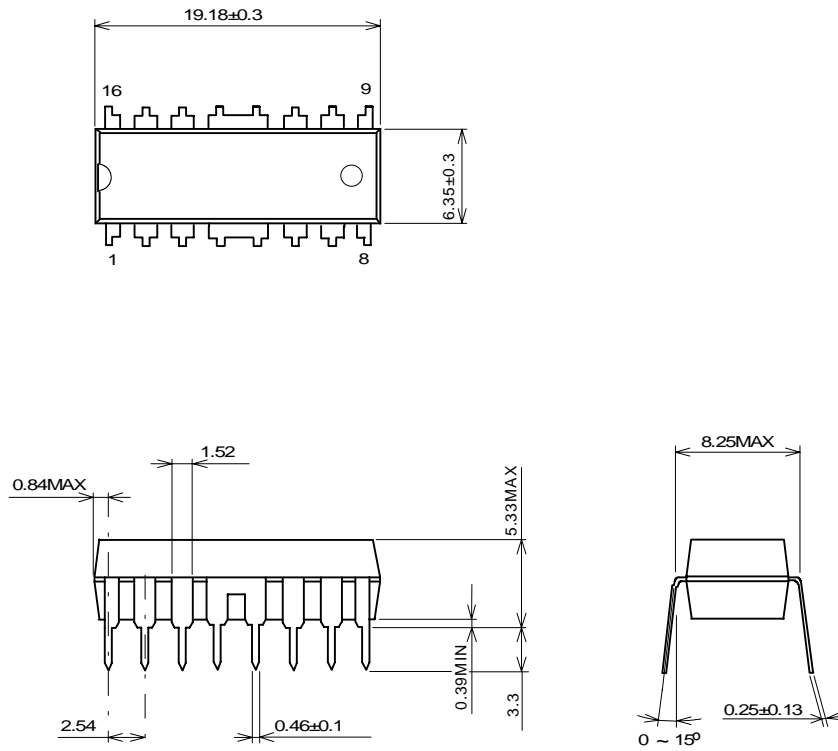
## DIP16-D2



UNIT: mm

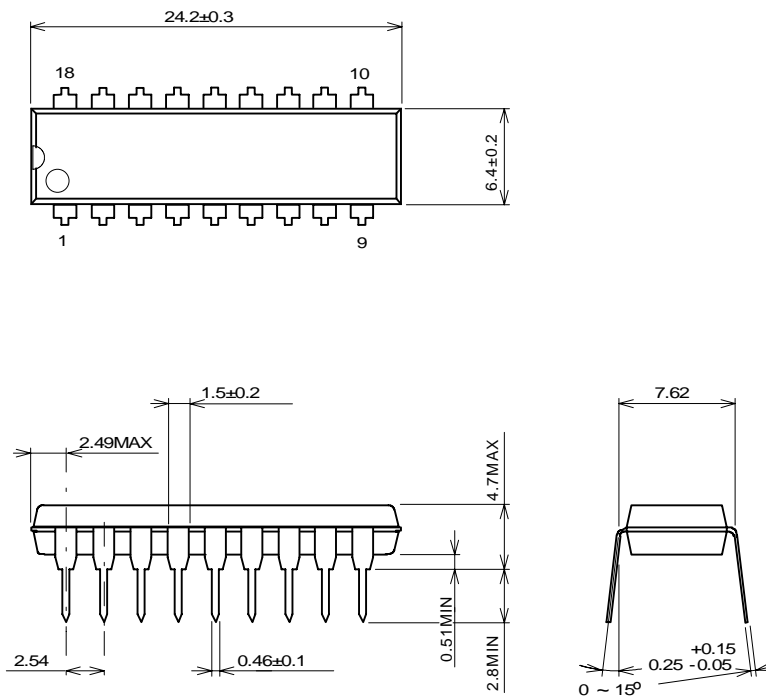
# PACKAGE DIMENSIONS

## DIP16-D3



UNIT: mm

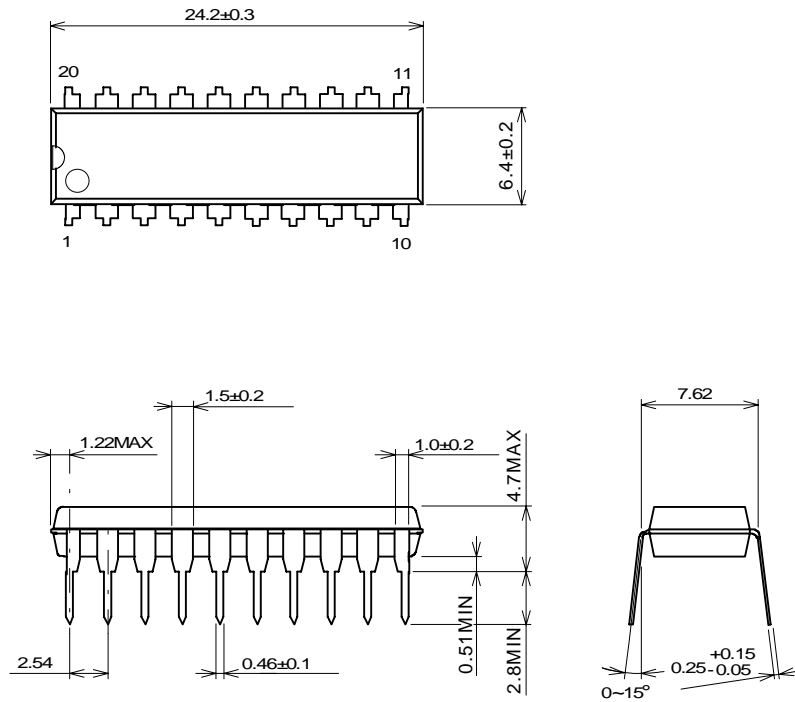
## DIP18



UNIT: mm

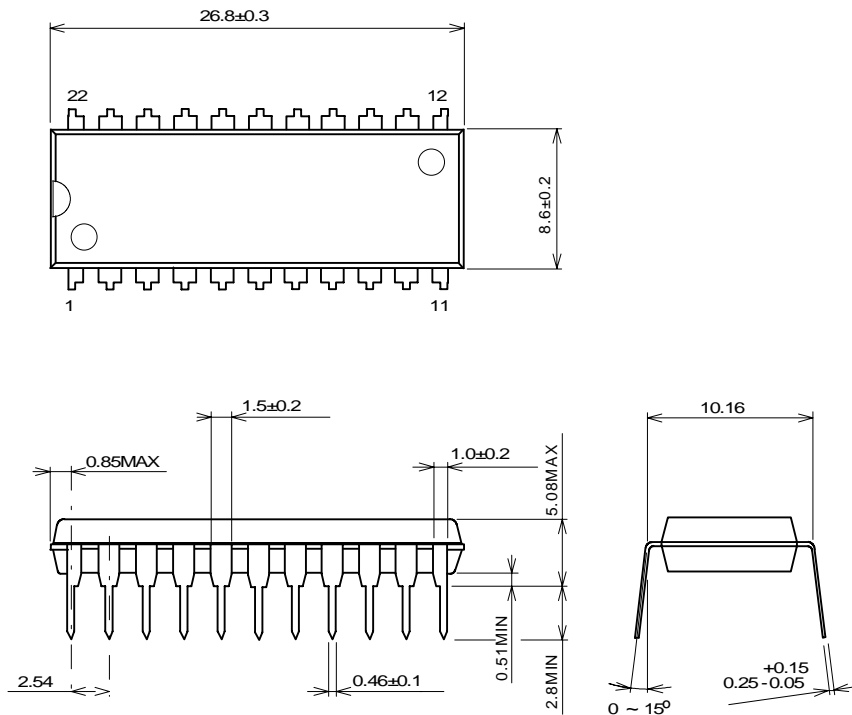
# PACKAGE DIMENSIONS

## DIP20



UNIT: mm

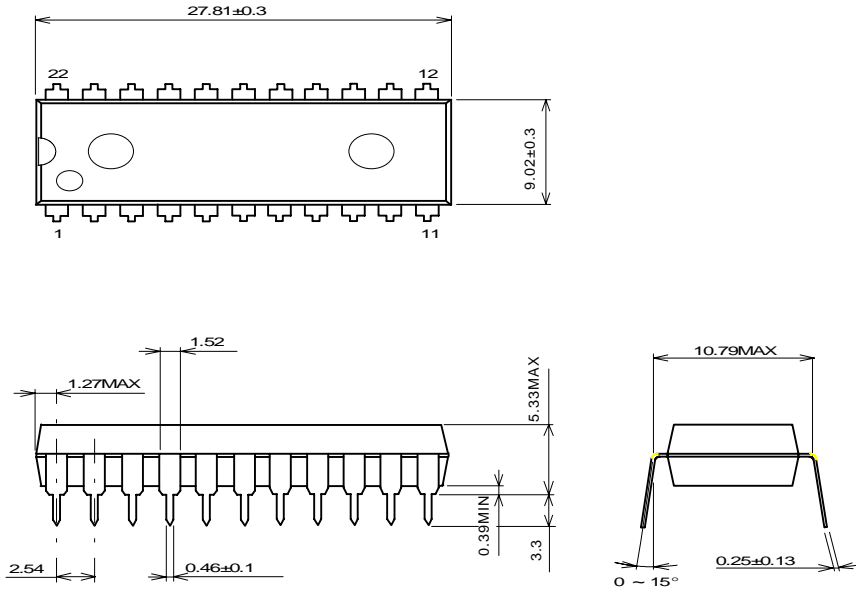
## DIP22



UNIT: mm

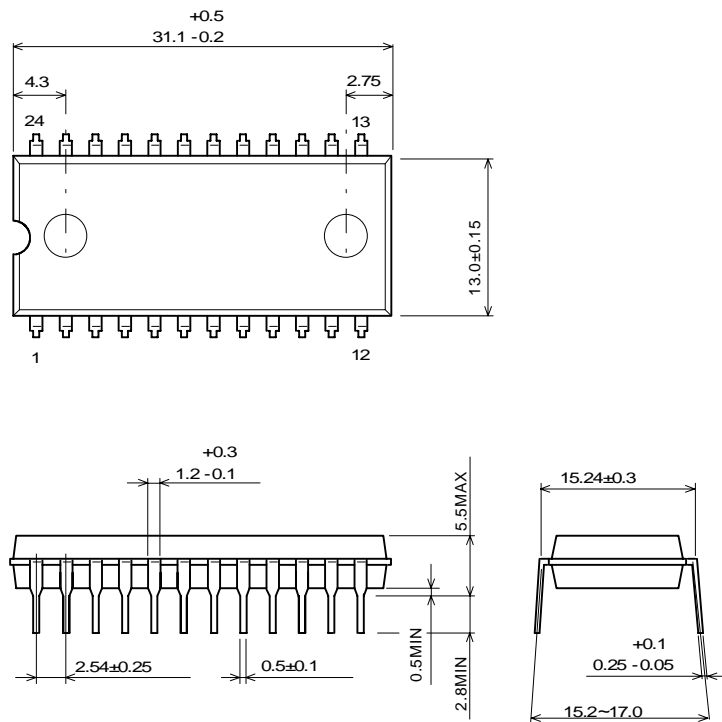
# PACKAGE DIMENSIONS

## DIP22-D2



UNIT: mm

## DIP24



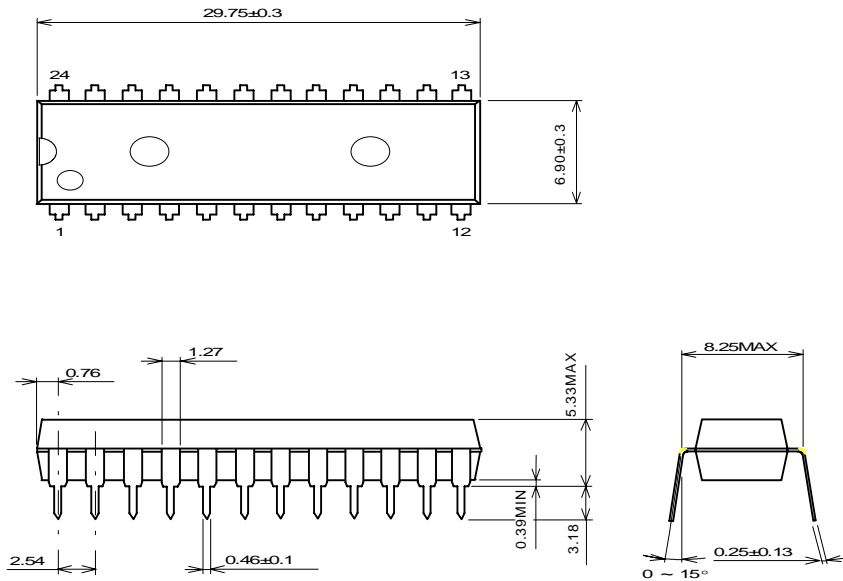
UNIT: mm

\*This package is applied to only NJU9702.

*New Japan Radio Co., Ltd.*

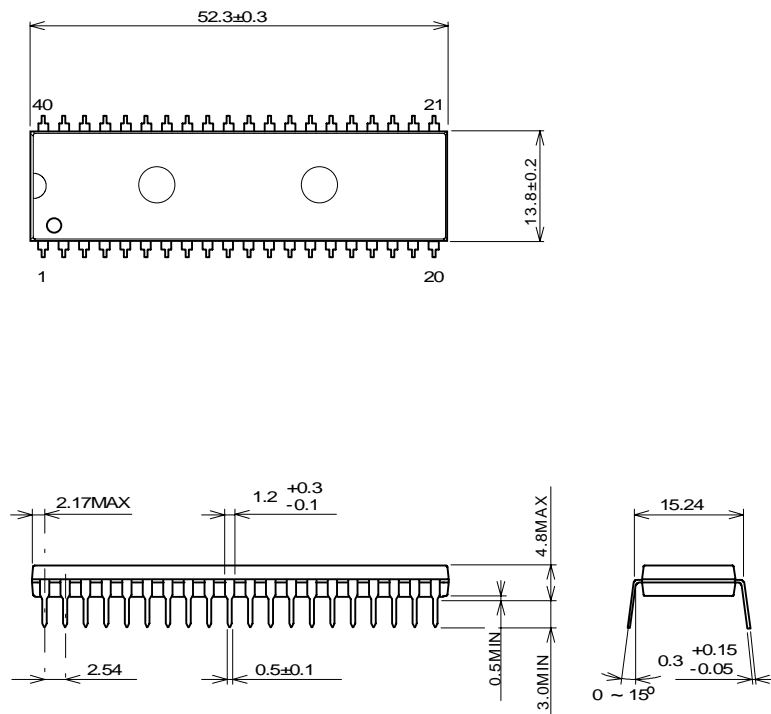
# PACKAGE DIMENSIONS

## DIP24-D2



UNIT: mm

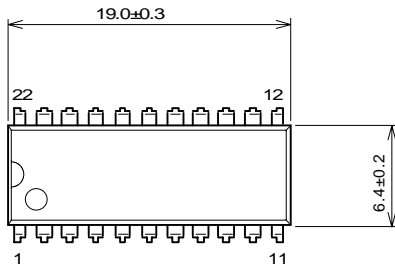
## DIP40



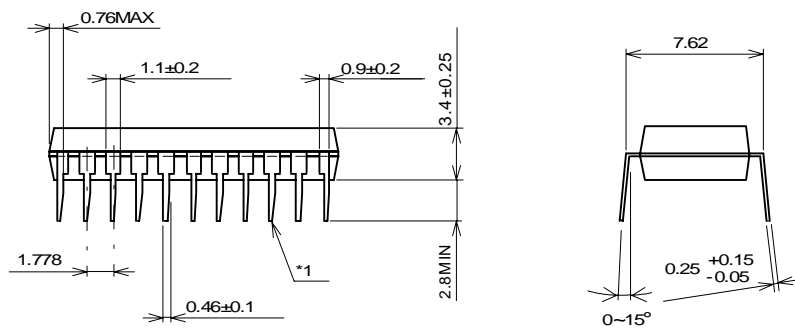
UNIT: mm

# PACKAGE DIMENSIONS

## SDIP22

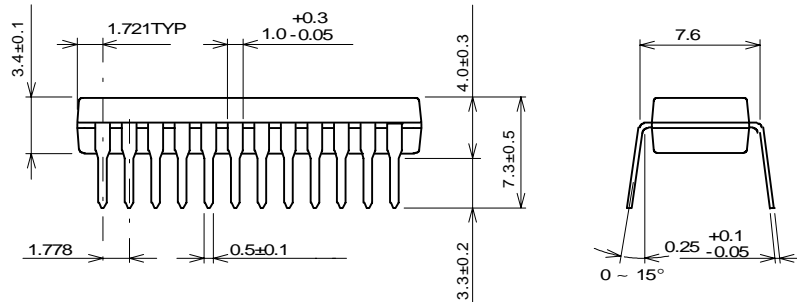
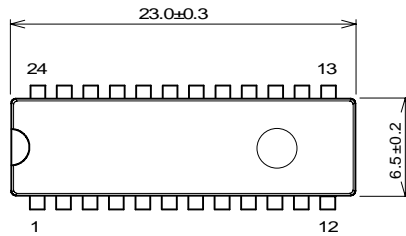


\*1: Slope direction on the right or left side products are mingled.



UNIT: mm

## SDIP24

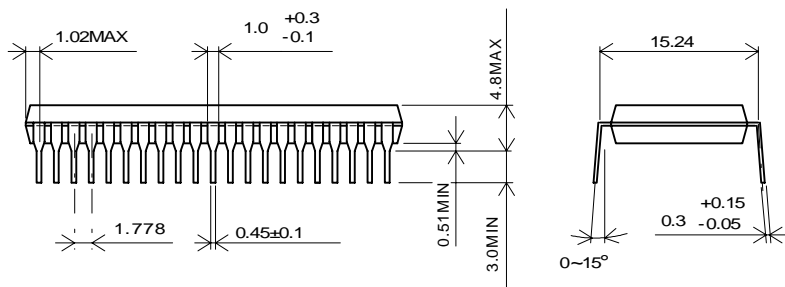
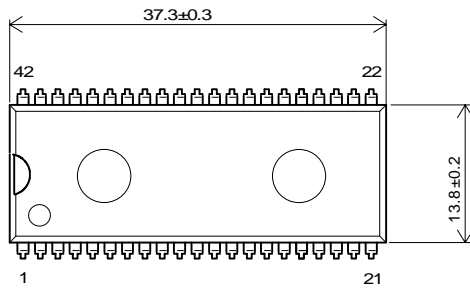


UNIT: mm



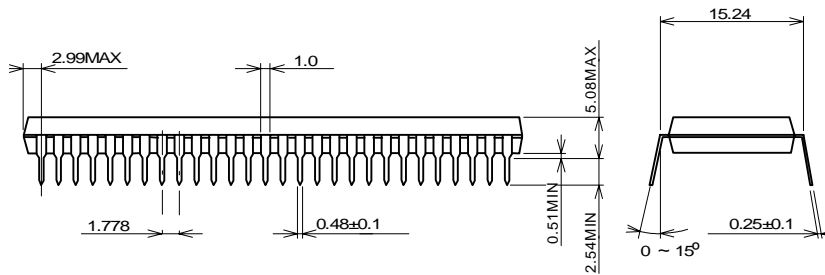
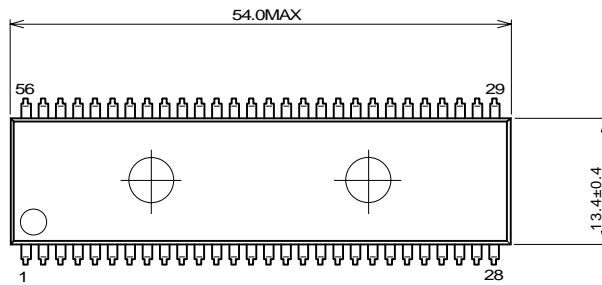
# PACKAGE DIMENSIONS

## SDIP42



UNIT: mm

## SDIP56

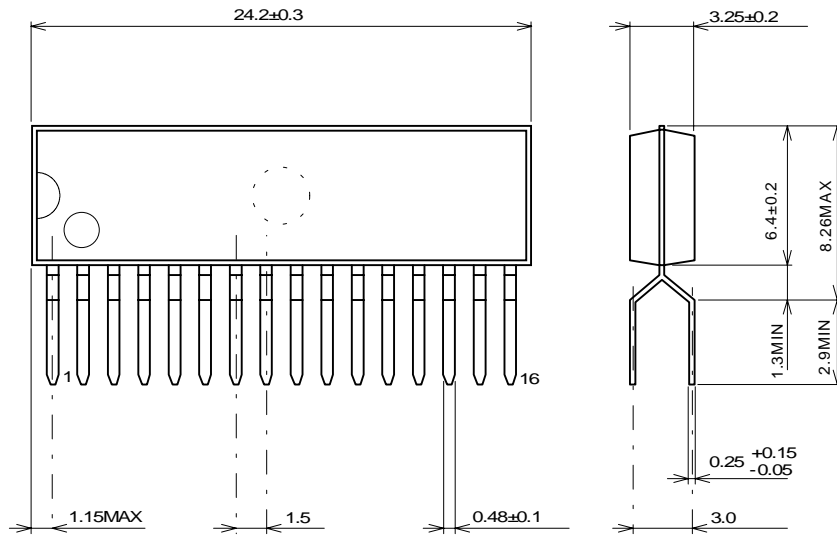


UNIT: mm



# PACKAGE DIMENSIONS

## ZIP16

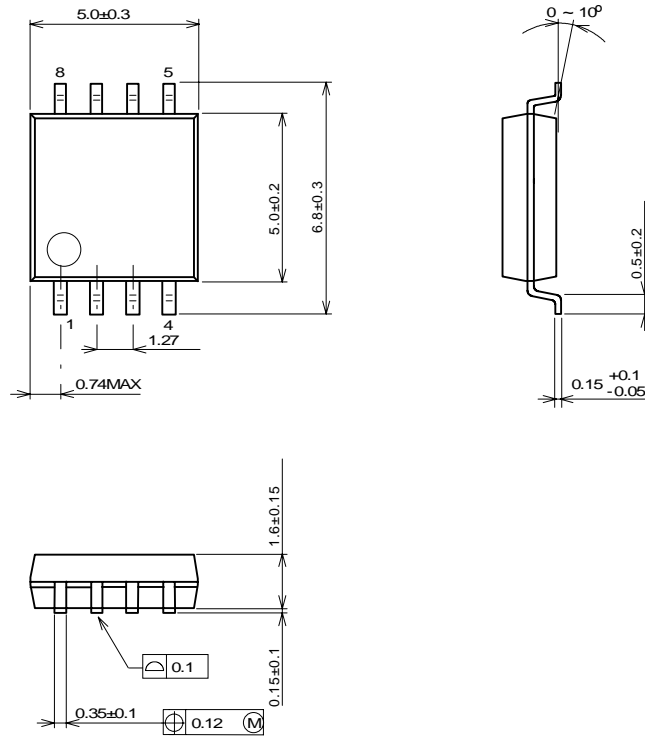


UNIT: mm

UNIT: mm

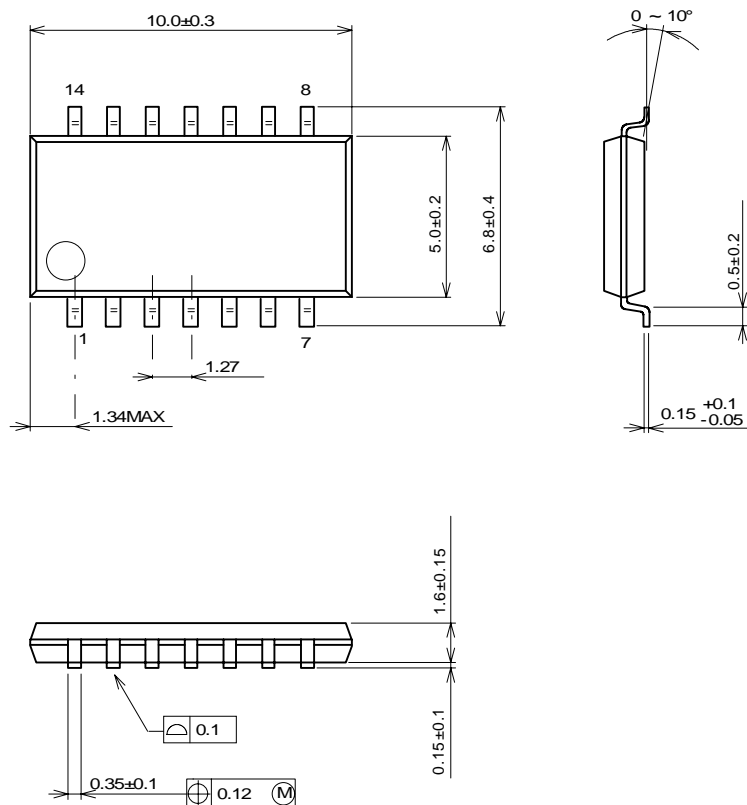
# PACKAGE DIMENSIONS

## DMP8



UNIT: mm

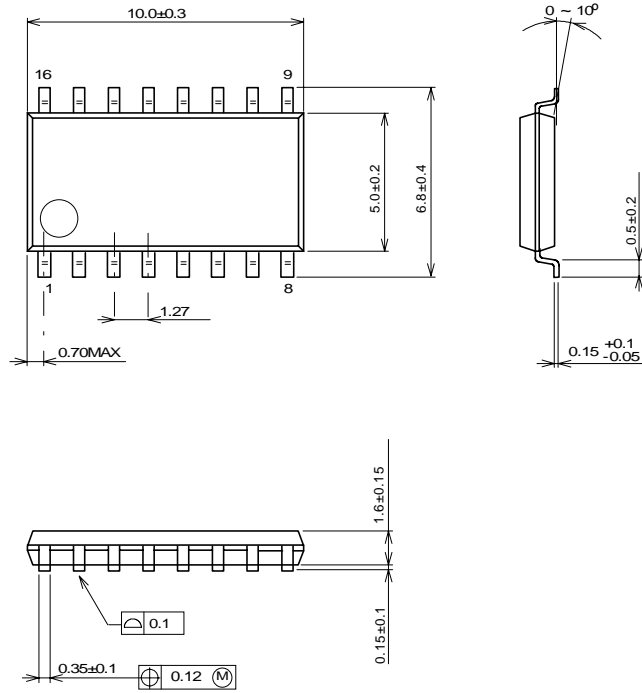
## DMP14



UNIT: mm

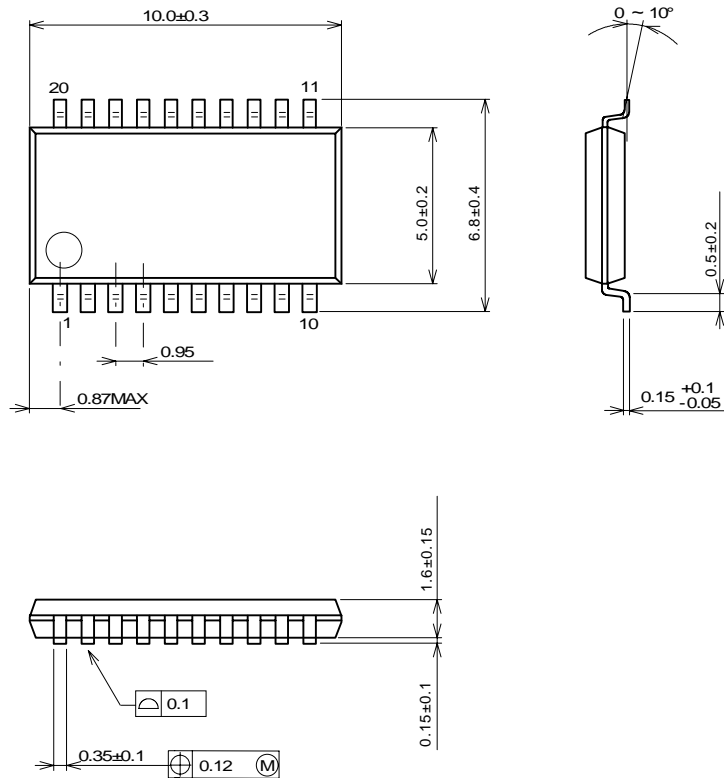
# PACKAGE DIMENSIONS

## DMP16



UNIT: mm

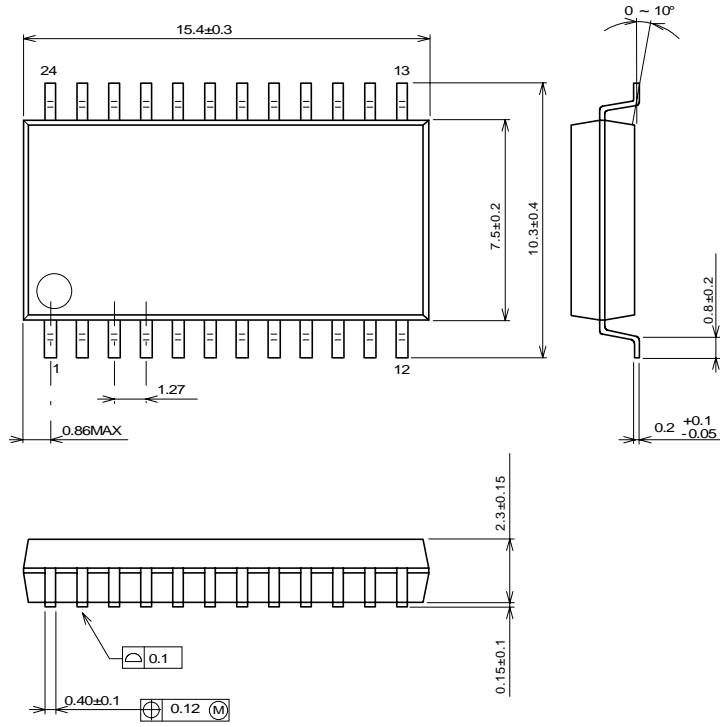
## DMP20



UNIT: mm

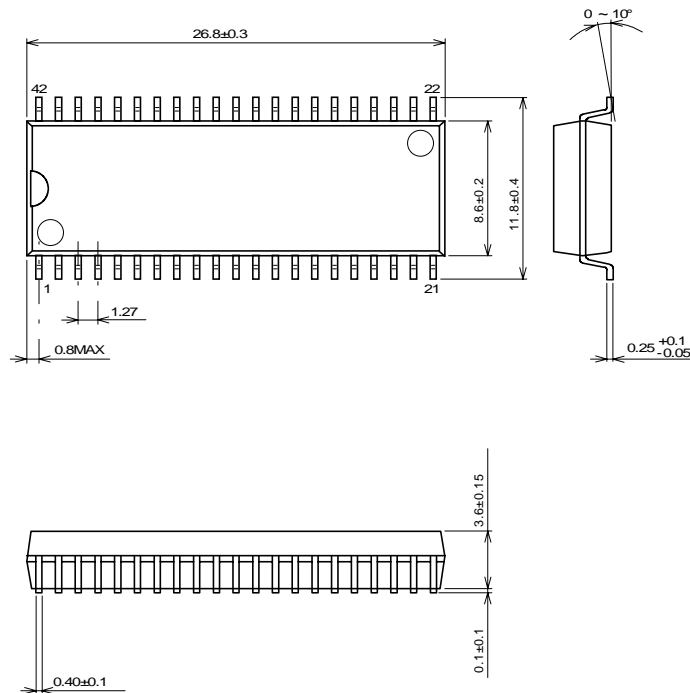
# PACKAGE DIMENSIONS

## DMP24



UNIT: mm

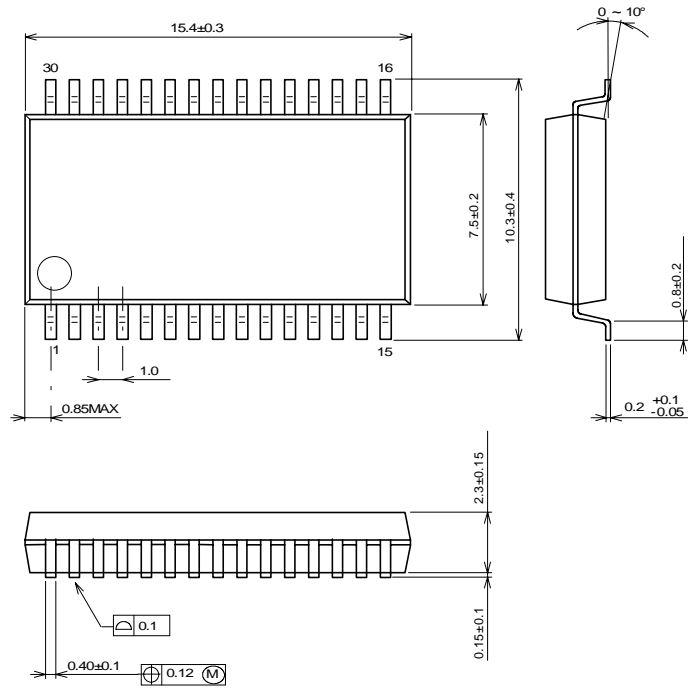
## DMP42



UNIT: mm

# PACKAGE DIMENSIONS

## SDMP30

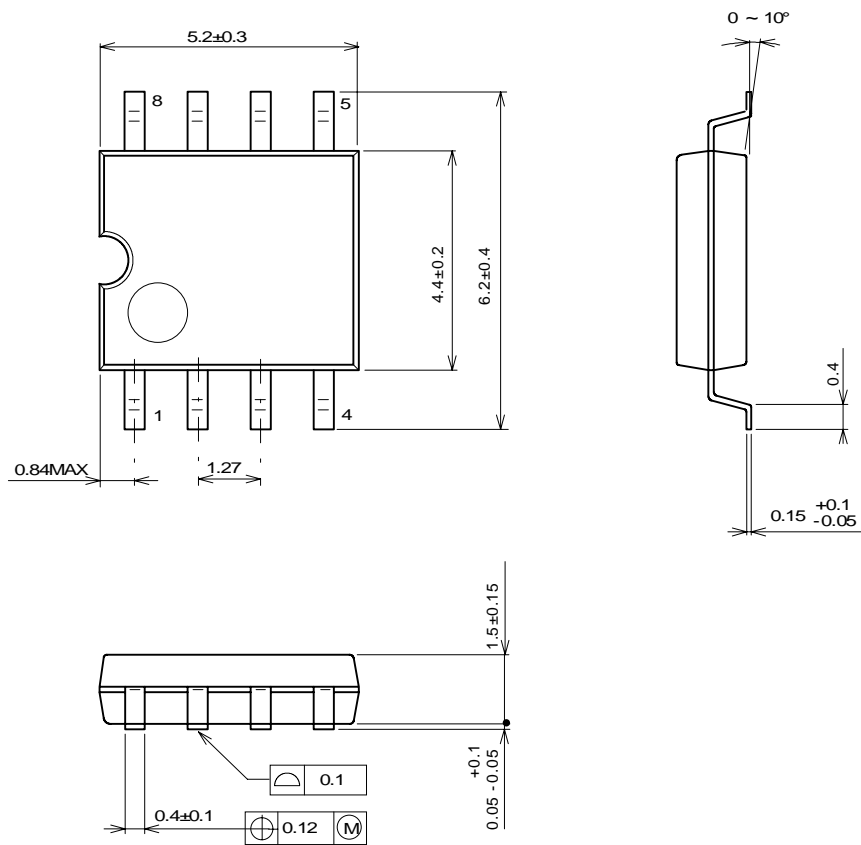


UNIT: mm

UNIT: mm

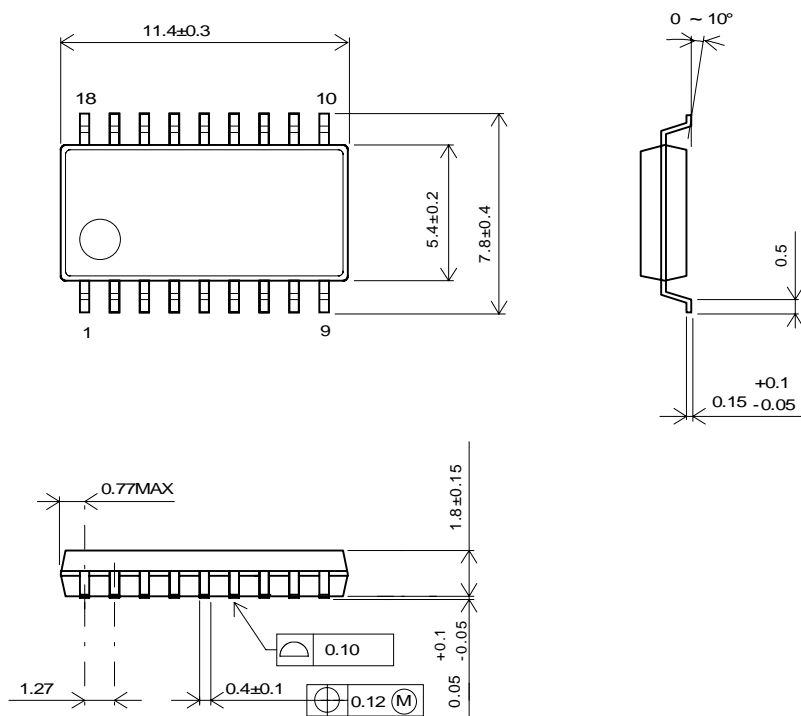
# PACKAGE DIMENSIONS

## SOP8



UNIT: mm

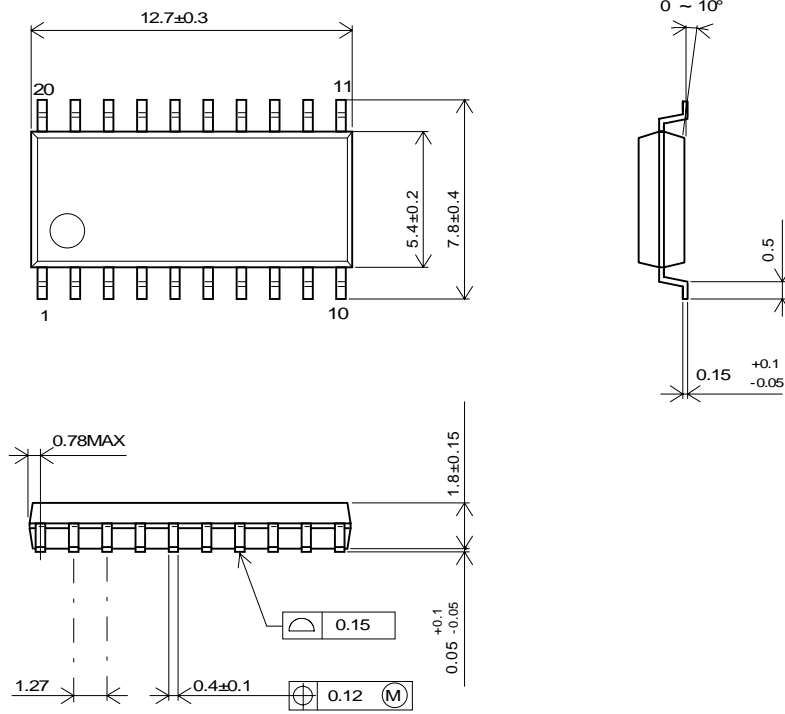
## SOP18



UNIT: mm

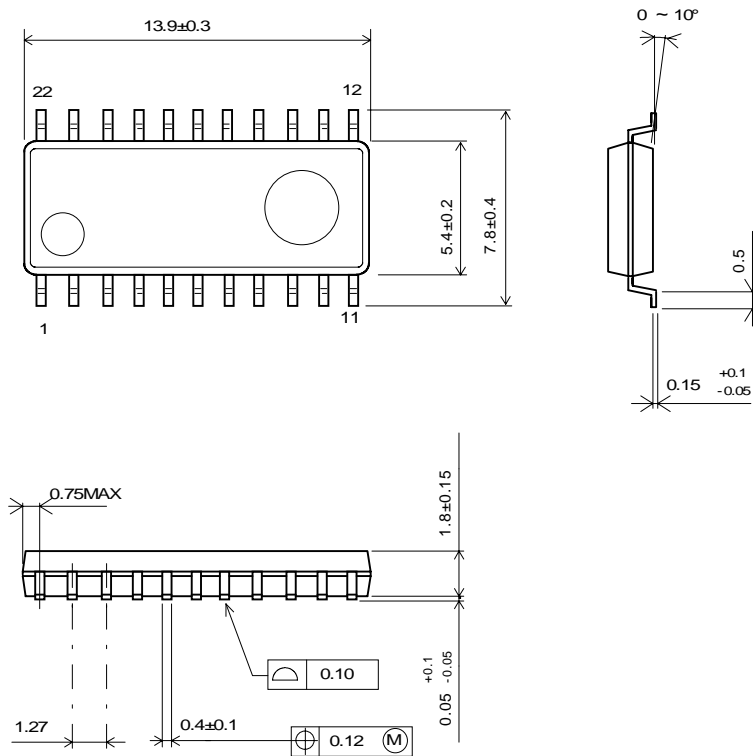
# PACKAGE DIMENSIONS

## SOP20



UNIT: mm

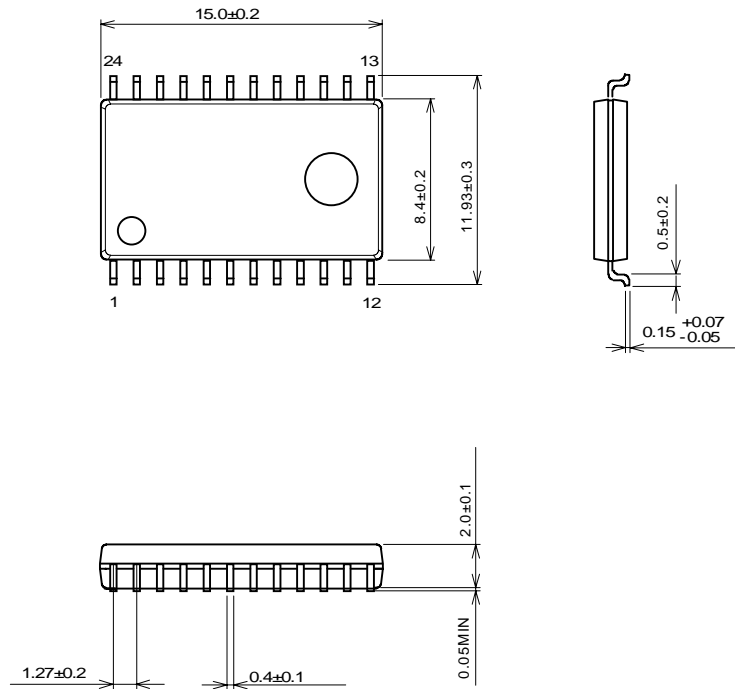
## SOP22



UNIT: mm

# PACKAGE DIMENSIONS

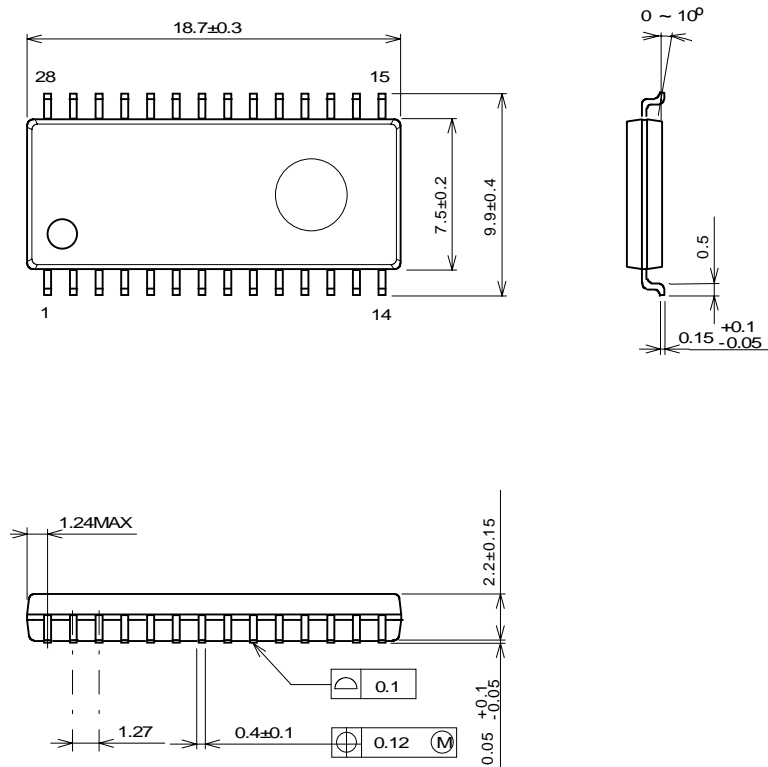
## SOP24



\*This package is applied to only NJU9702.

UNIT: mm

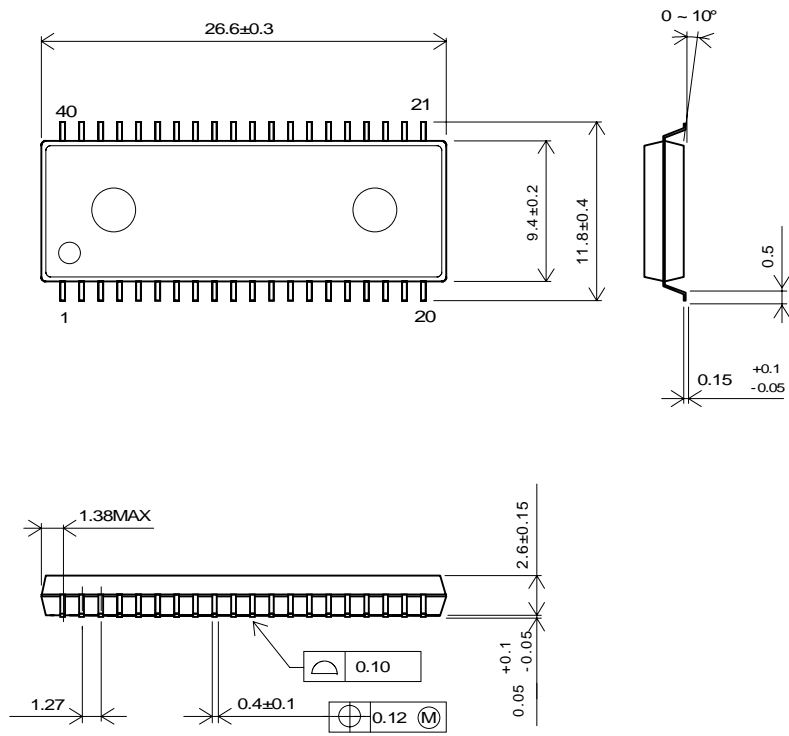
## SOP28



UNIT: mm

# PACKAGE DIMENSIONS

## SOP40

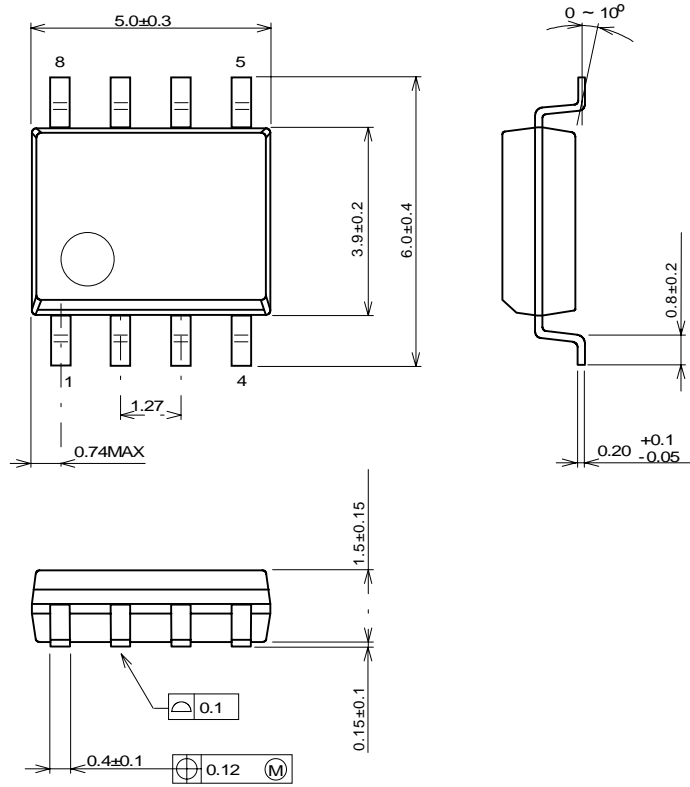


UNIT: mm

UNIT: mm

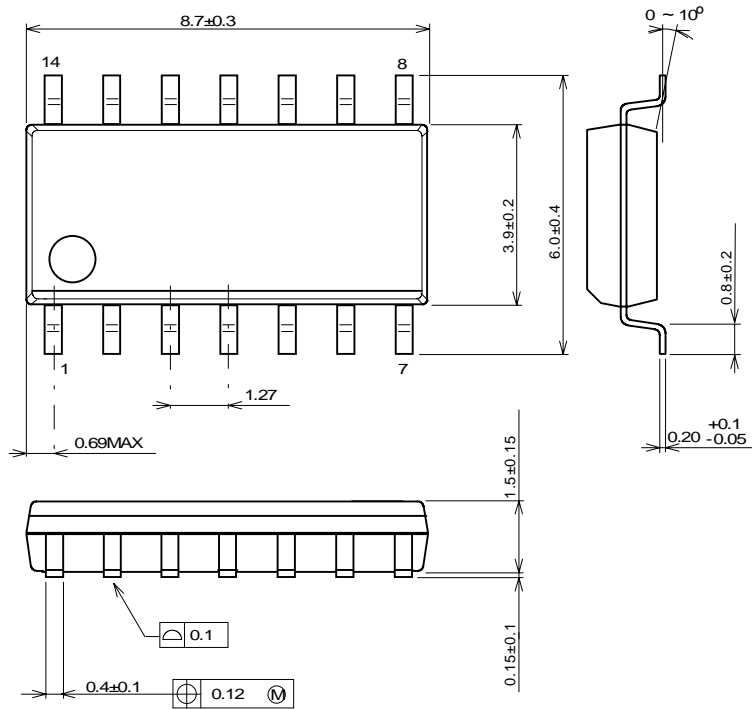
# PACKAGE DIMENSIONS

## EMP8



UNIT: mm

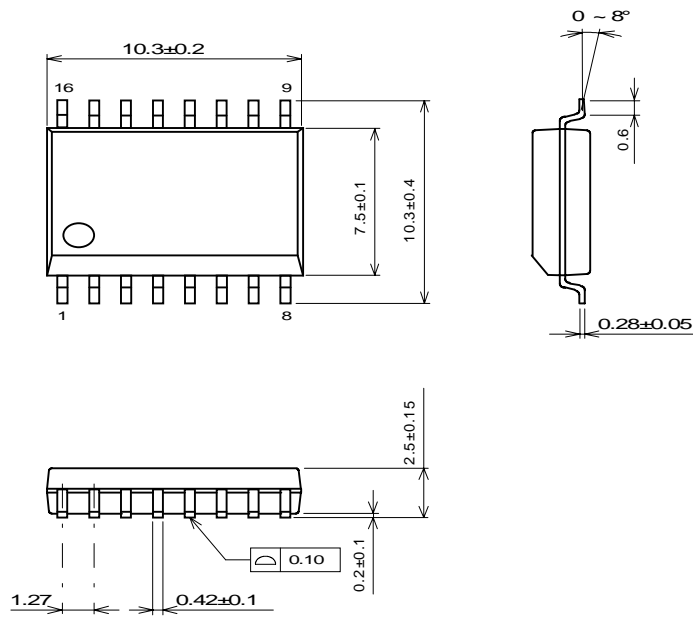
## EMP14



UNIT: mm

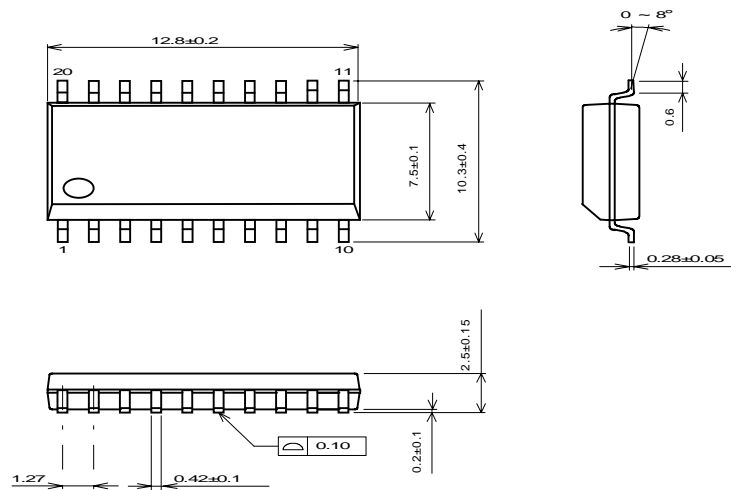
# PACKAGE DIMENSIONS

## EMP16-E2



UNIT: mm

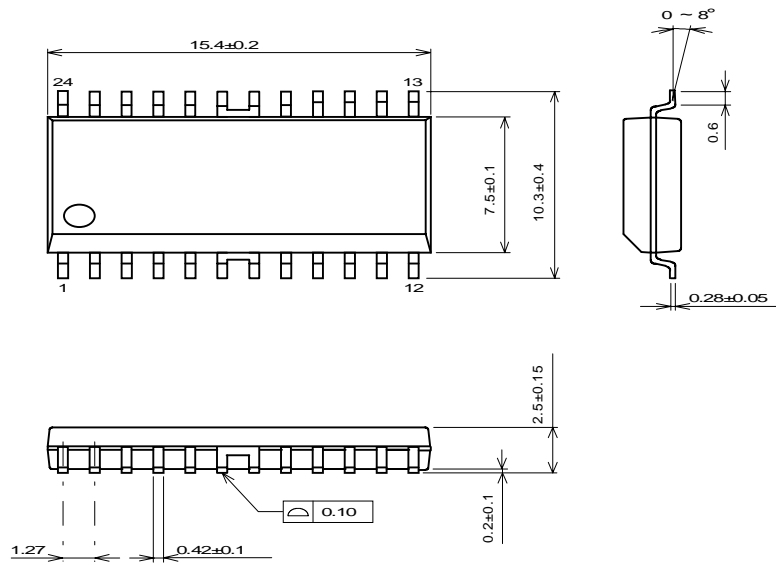
## EMP20-E2



UNIT: mm

# PACKAGE DIMENSIONS

## EMP24-E3

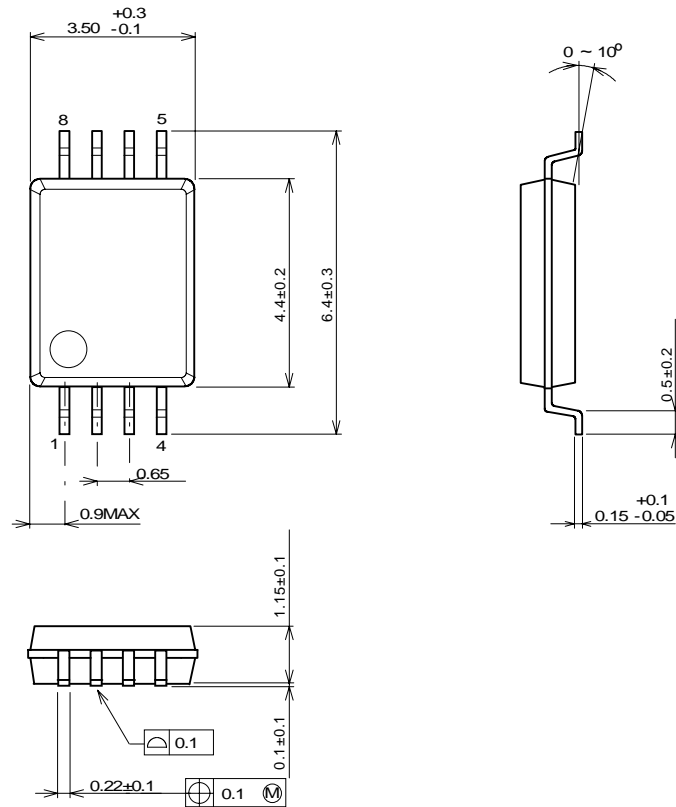


UNIT: mm

UNIT: mm

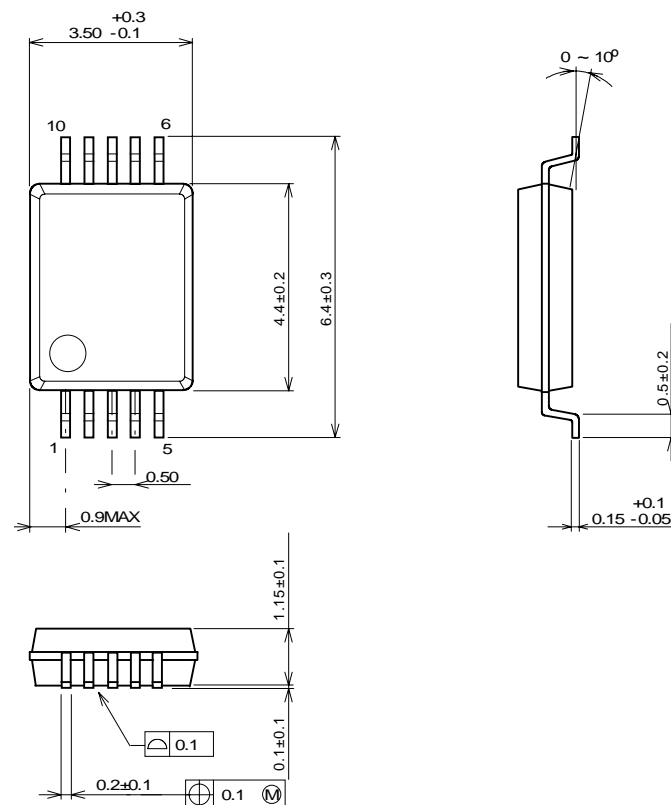
# PACKAGE DIMENSIONS

## SSOP8



UNIT: mm

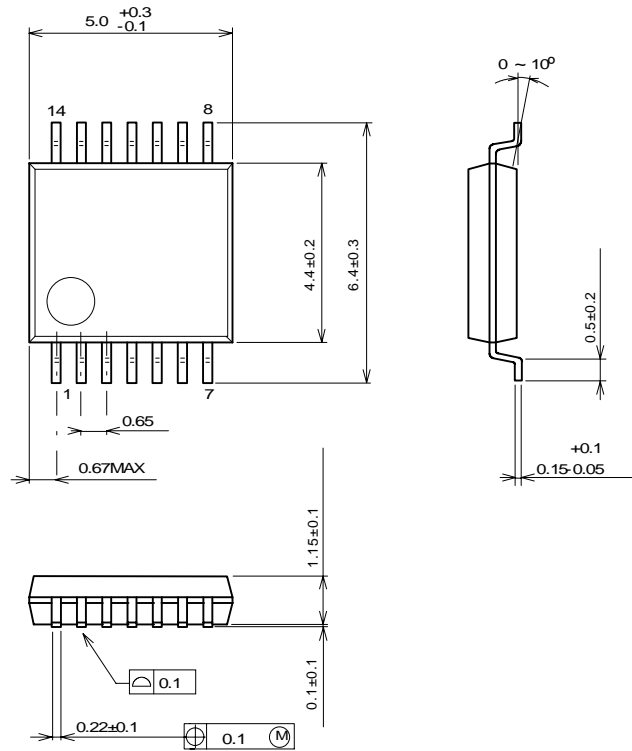
## SSOP10



UNIT: mm

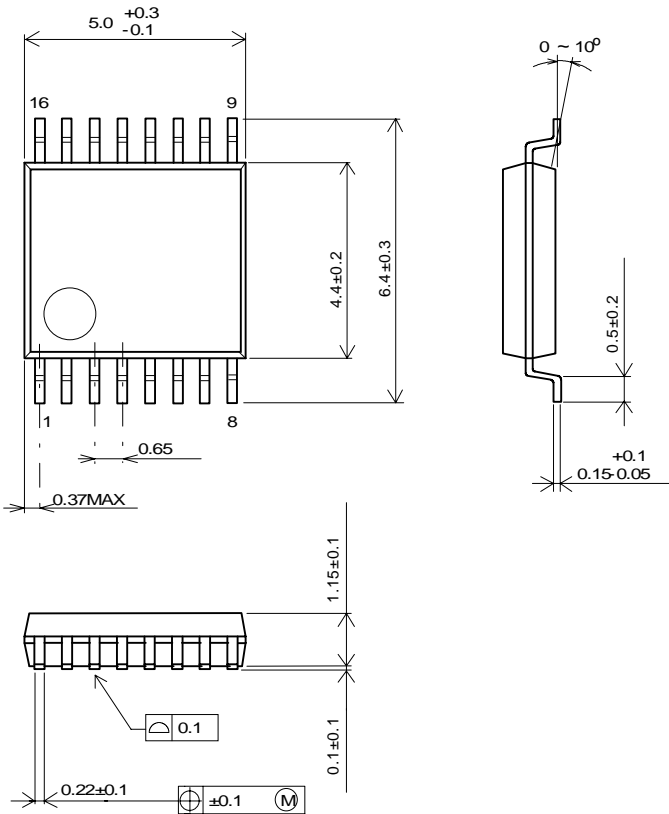
# PACKAGE DIMENSIONS

## SSOP14



UNIT: mm

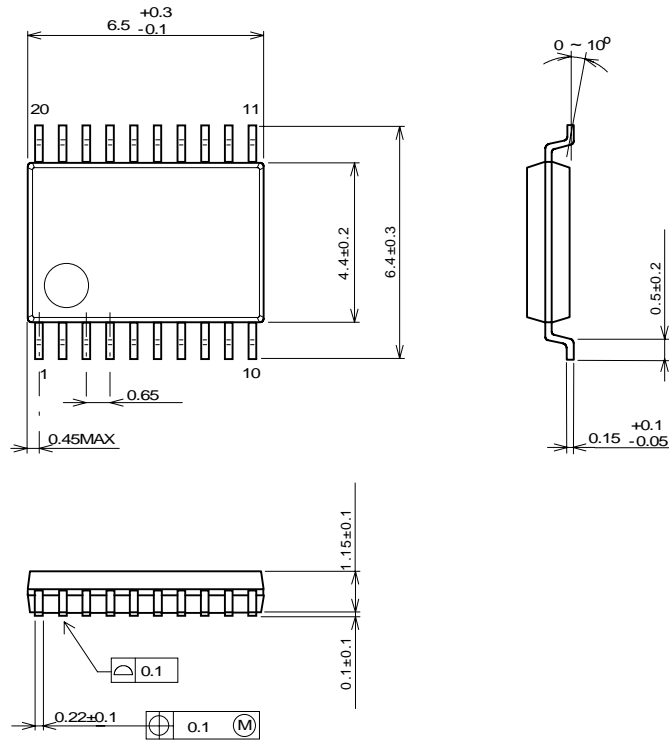
## SSOP16



UNIT: mm

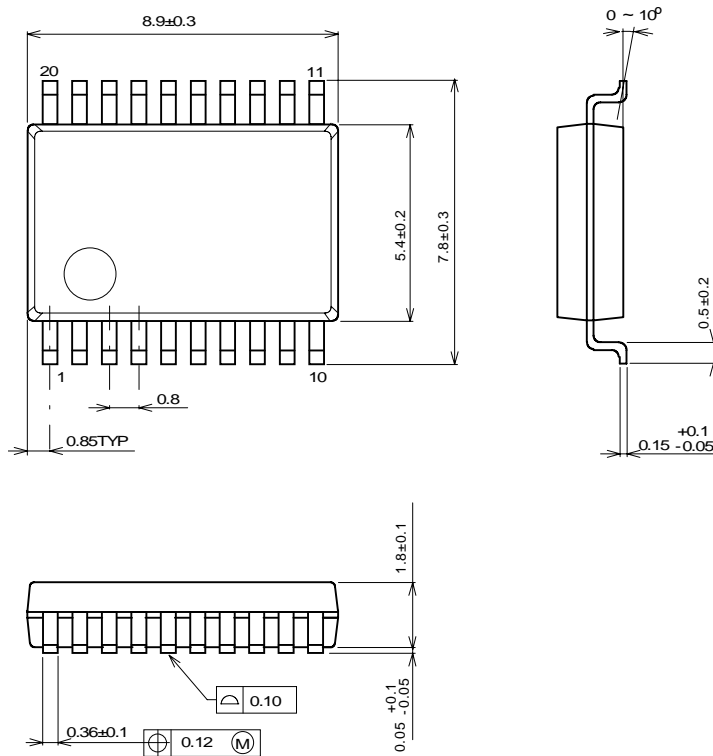
# PACKAGE DIMENSIONS

## SSOP20



UNIT: mm

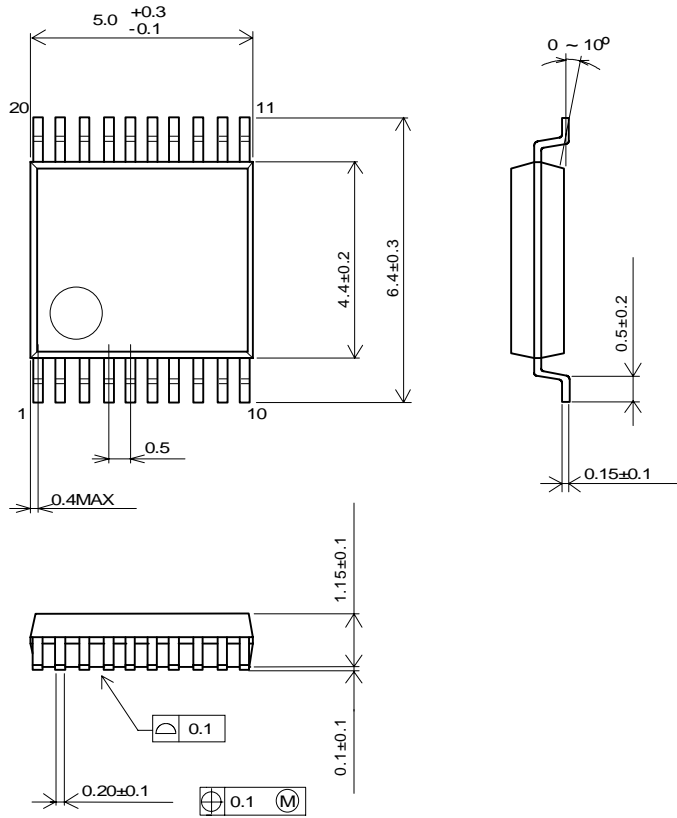
## SSOP20-F1



UNIT: mm

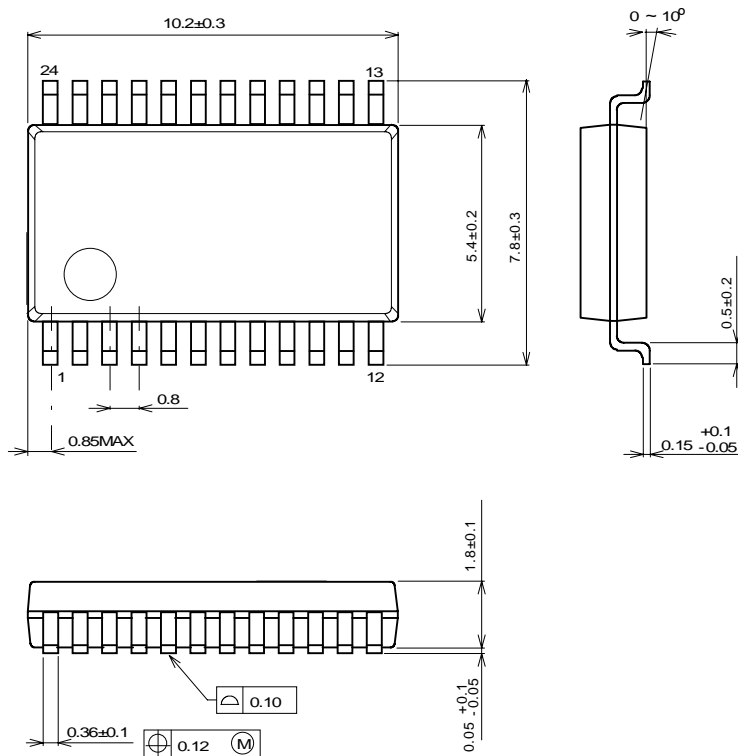
# PACKAGE DIMENSIONS

## SSOP20-B2



UNIT: mm

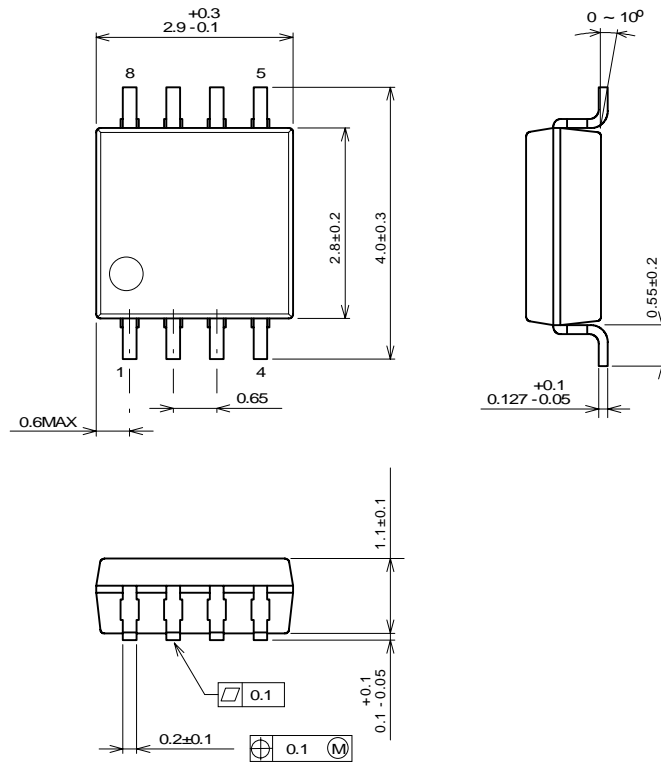
## SSOP24



UNIT: mm

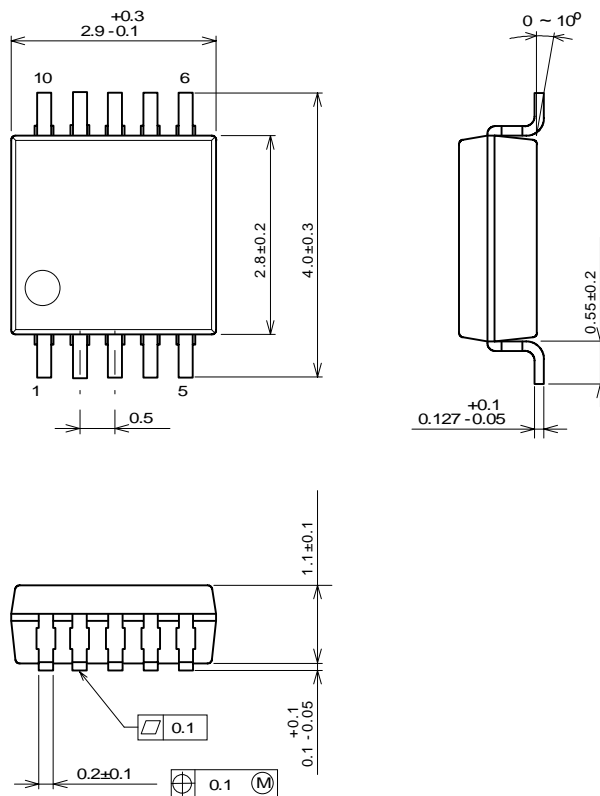
# PACKAGE DIMENSIONS

## VSP8



UNIT: mm

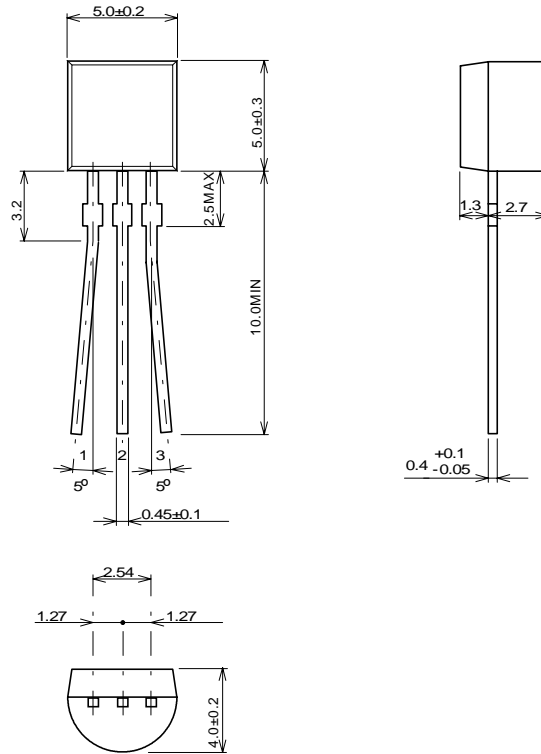
## VSP10



UNIT: mm

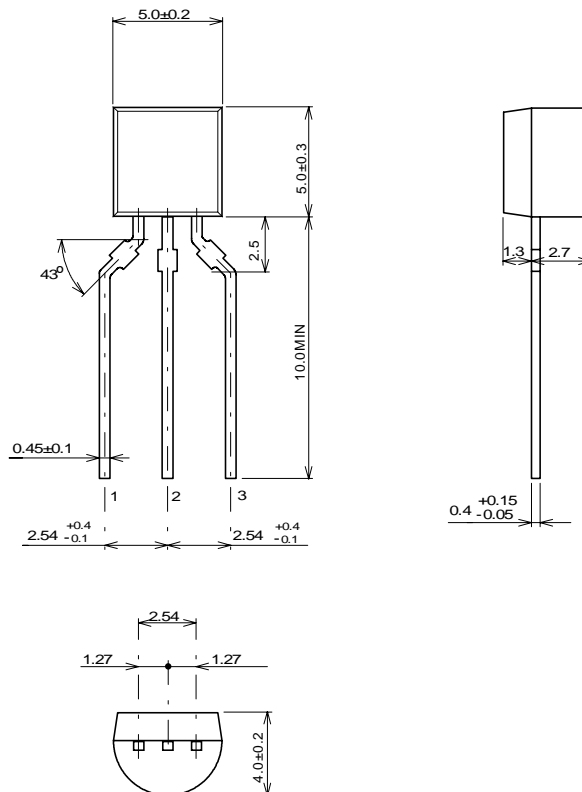
# PACKAGE DIMENSIONS

## TO-92(Vinyl Bag)



UNIT: mm

## TO-92(Taping)



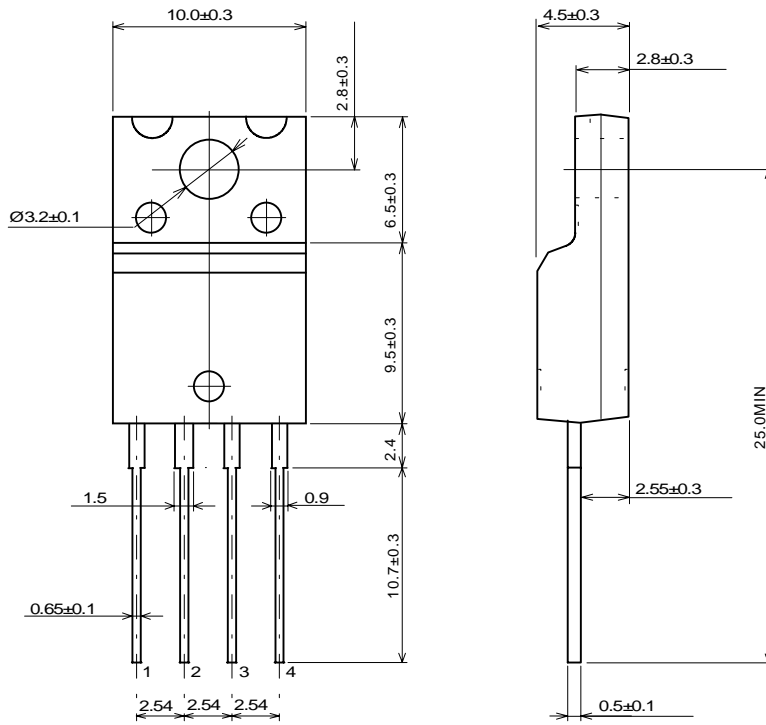
UNIT: mm



# PACKAGE DIMENSIONS

## TO-220F(4Pin)Straight Type

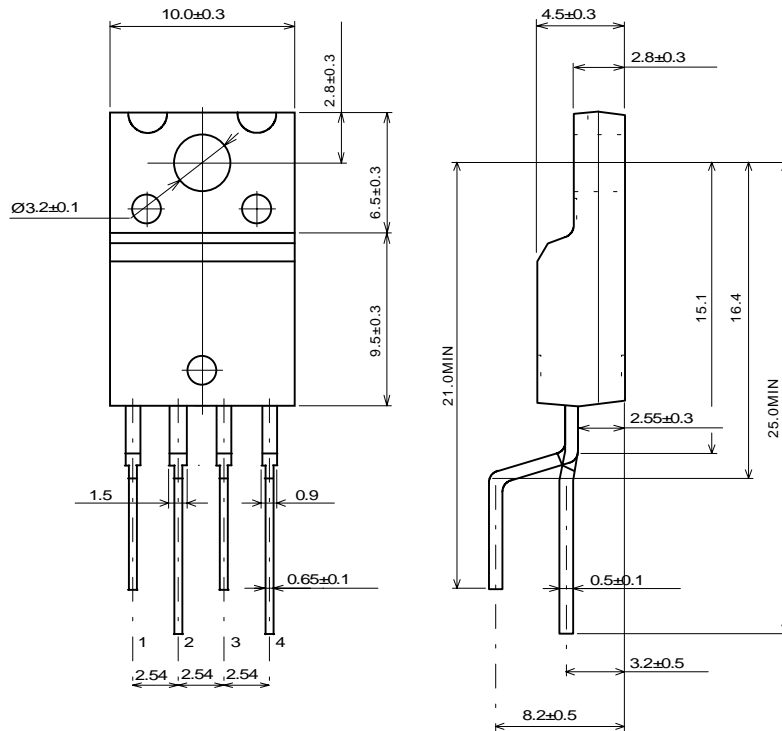
PRELIMINARY



UNIT: mm

## TO-220F(4Pin)Forming Type

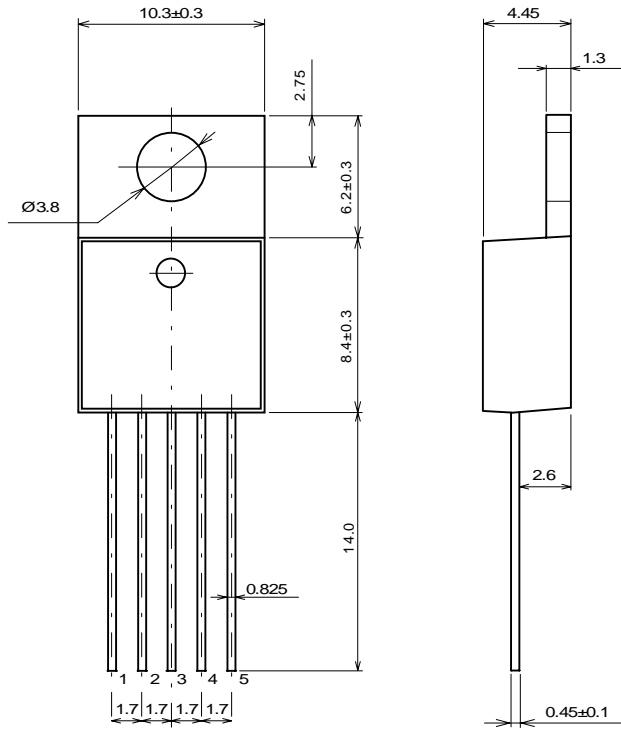
PRELIMINARY



UNIT: mm

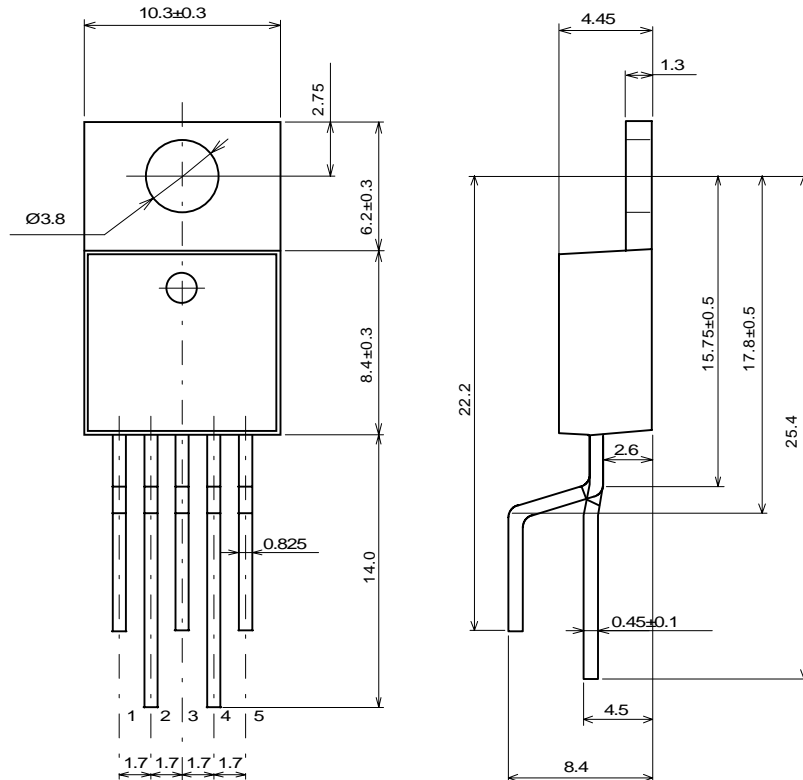
# PACKAGE DIMENSIONS

## TO-220(5Pin)Straight Type



UNIT: mm

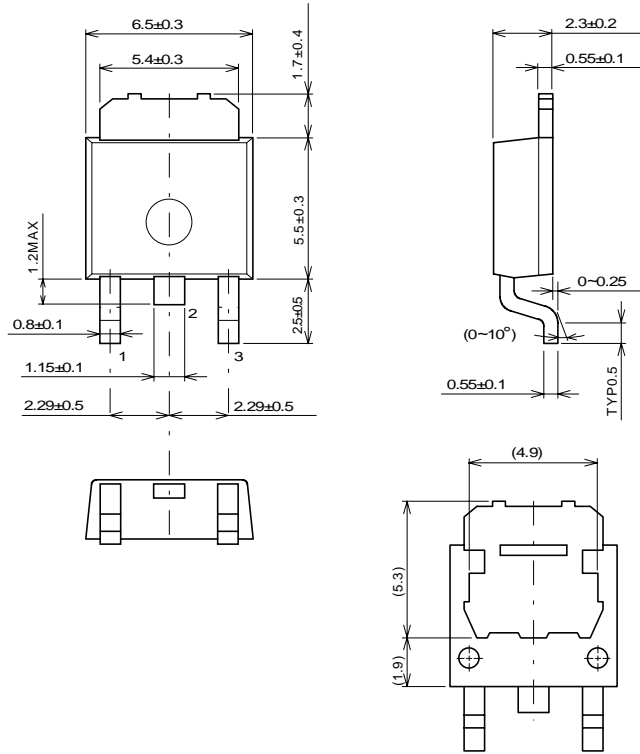
## TO-220(5Pin)Forming Type



UNIT: mm

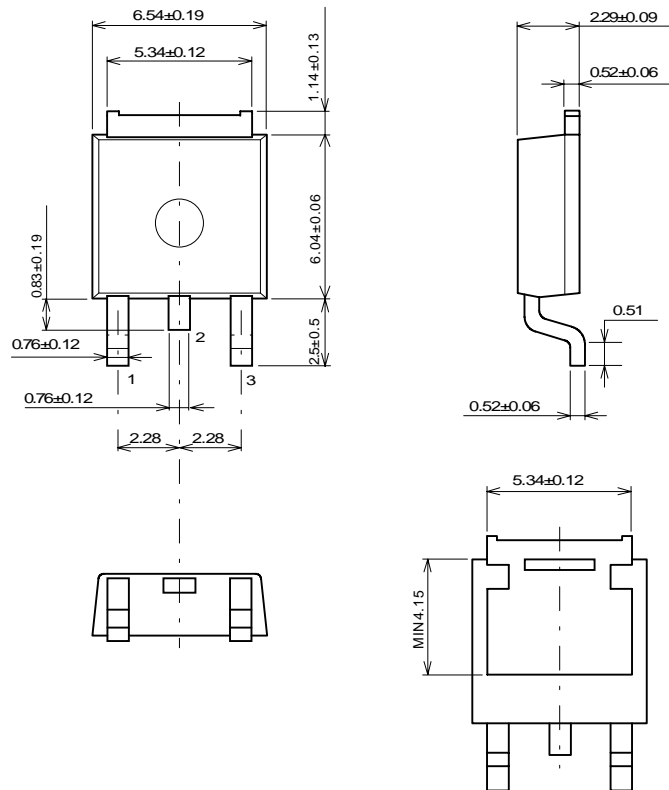
# PACKAGE DIMENSIONS

## TO-252(DL)



UNIT: mm

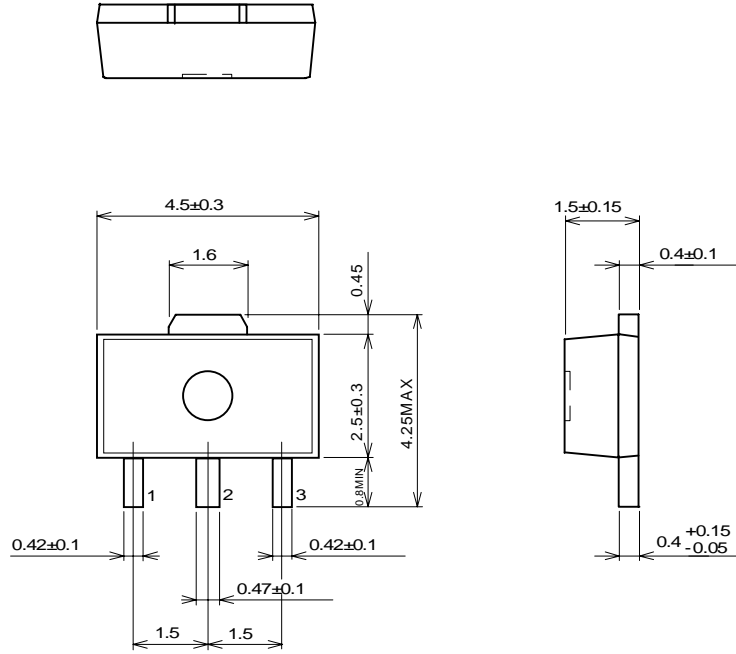
## TO-252(DL1)



UNIT: mm

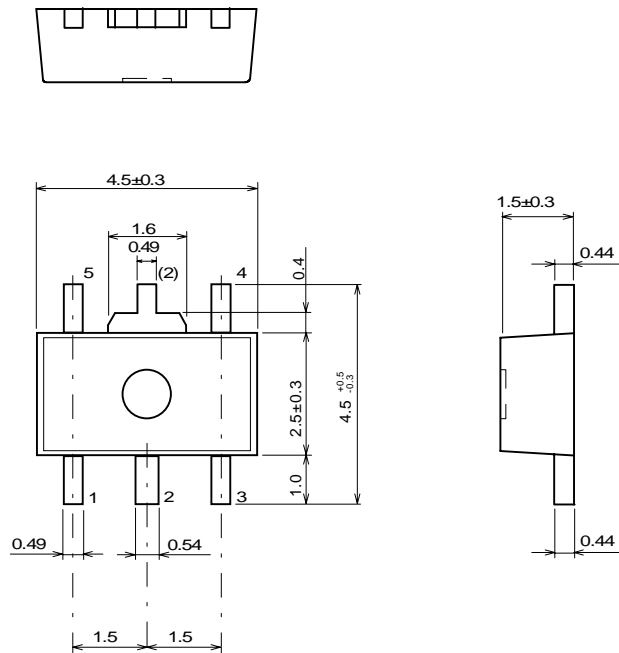
# PACKAGE DIMENSIONS

## SOT-89



UNIT: mm

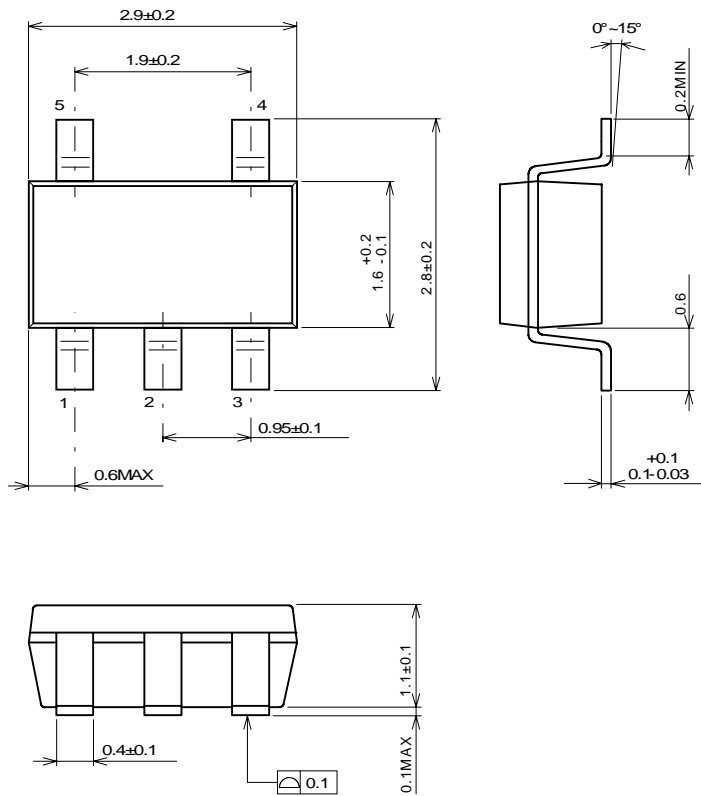
## SOT-89(5Pin)



UNIT: mm

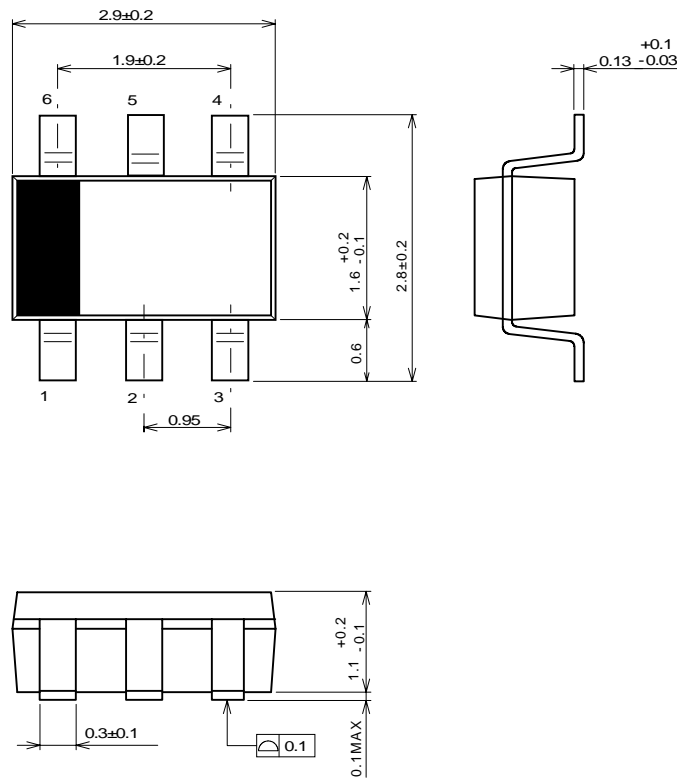
# PACKAGE DIMENSIONS

## MTP5



UNIT: mm

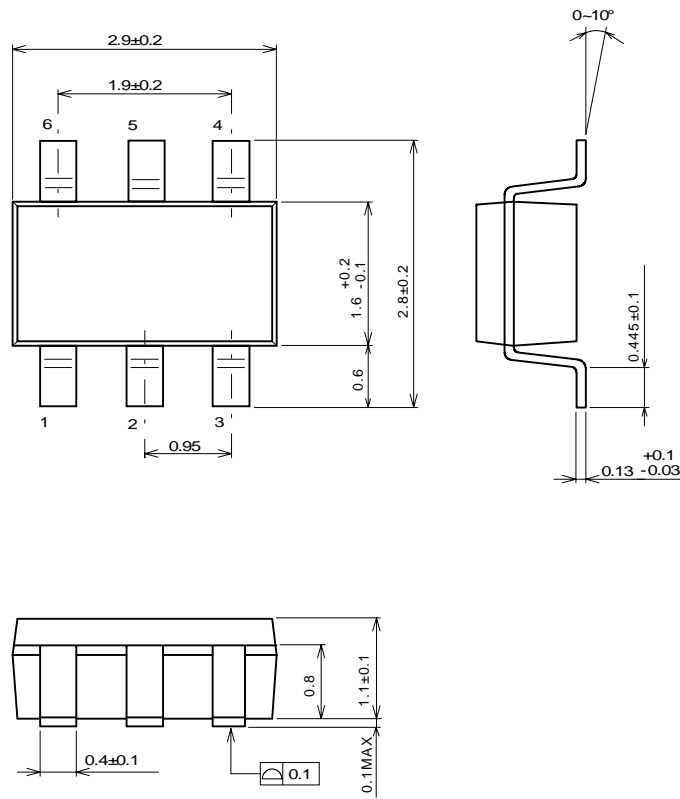
## MTP6



UNIT: mm

# PACKAGE DIMENSIONS

## MTP6-1



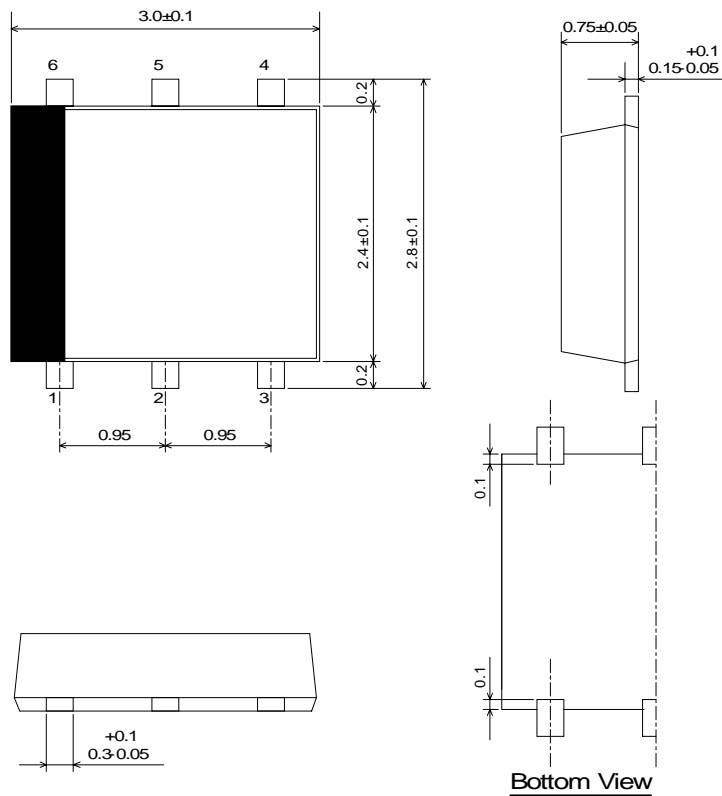
UNIT: mm

UNIT: mm



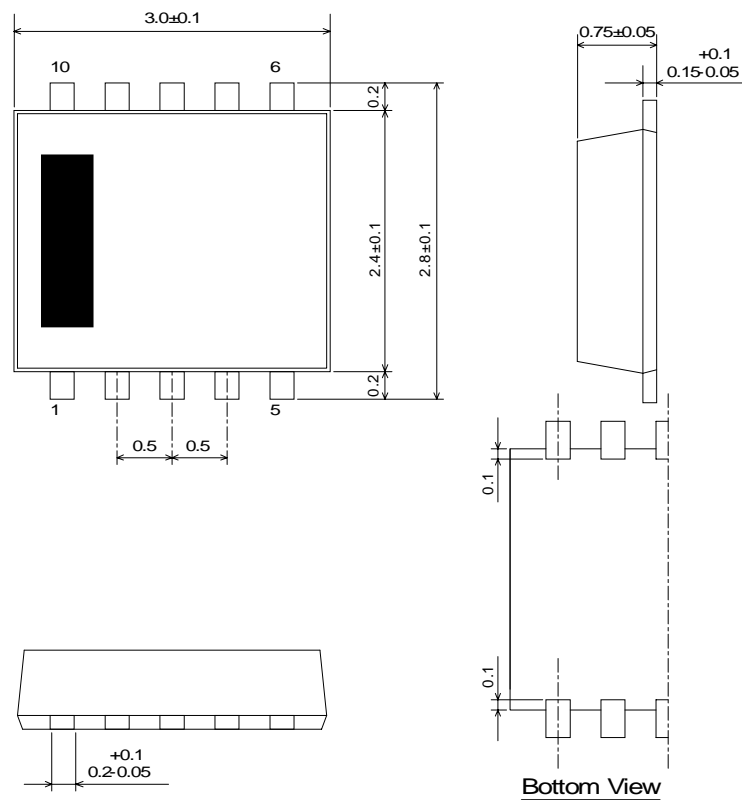
# PACKAGE DIMENSIONS

## FLP6-C3



UNIT: mm

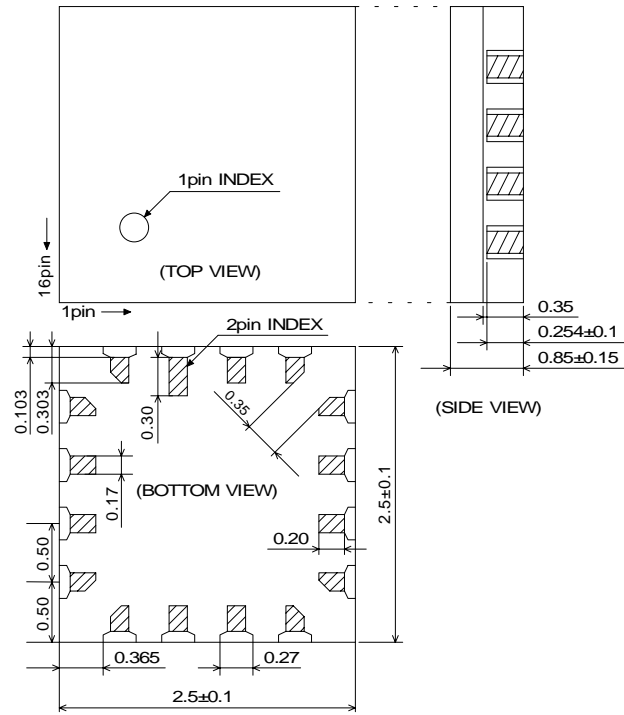
## FLP10-C1



UNIT: mm

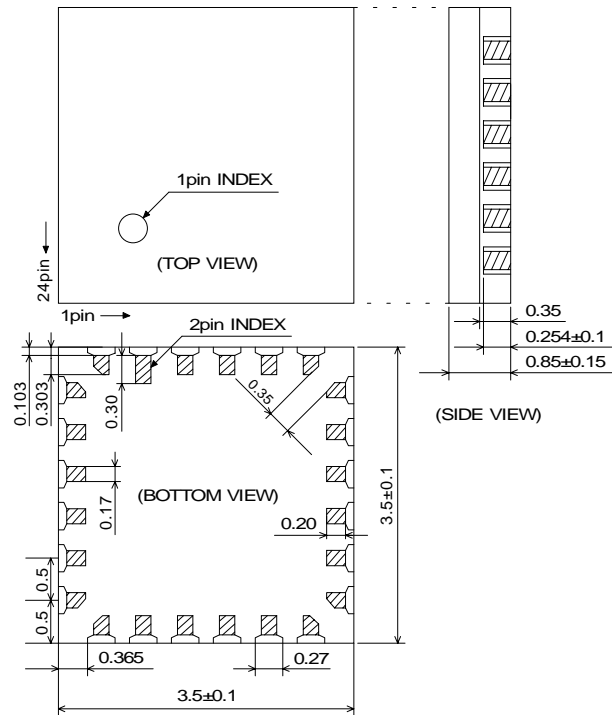
# PACKAGE DIMENSIONS

## FFP16-C1



UNIT: mm

## FFP24-E1

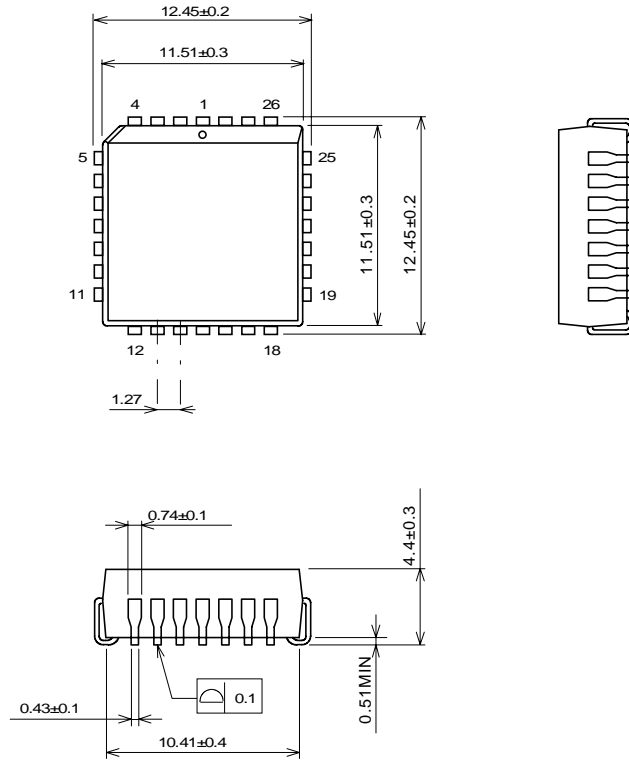


UNIT: mm



# PACKAGE DIMENSIONS

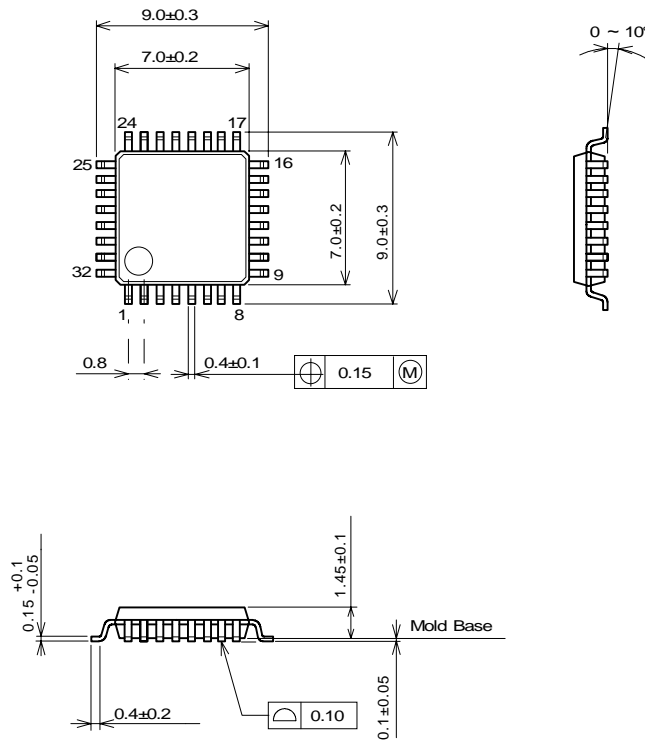
## PLCC28-M2



UNIT: mm

## QFP32-J1

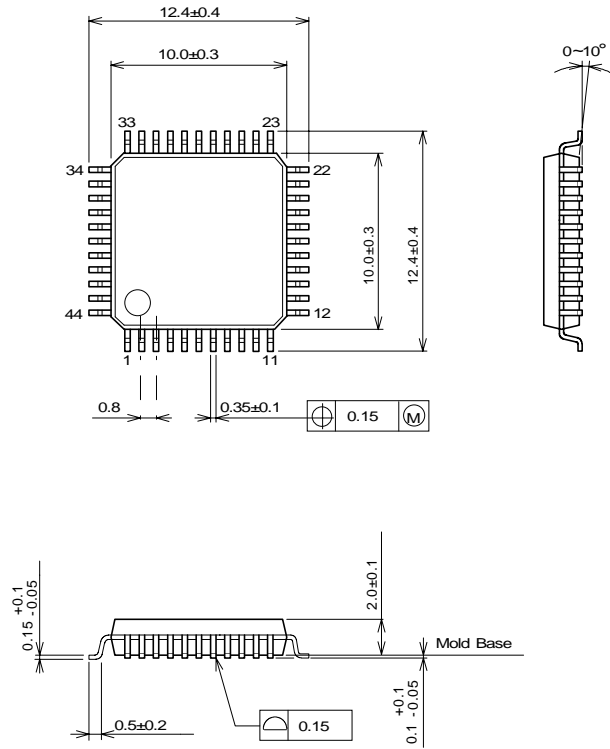
PRELIMINARY



UNIT: mm

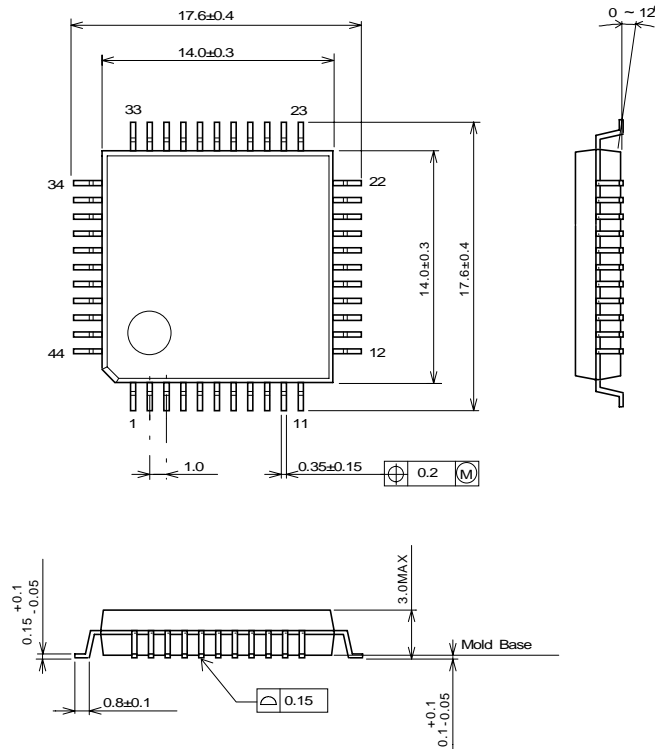
# PACKAGE DIMENSIONS

## QFP44-A1



UNIT: mm

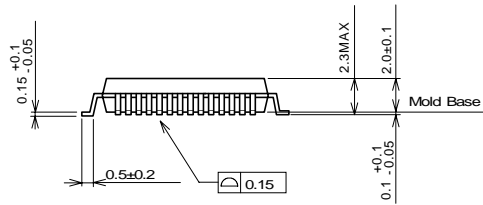
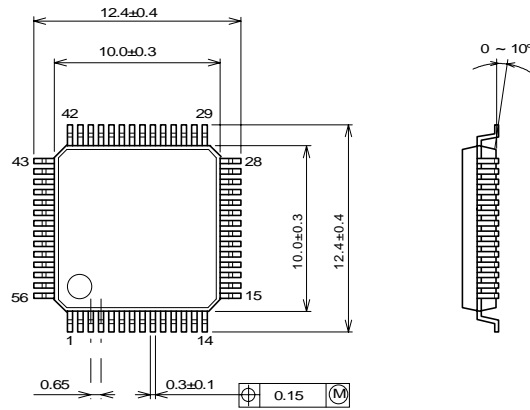
## QFP44-B1



UNIT: mm

# PACKAGE DIMENSIONS

## QFP56-A1

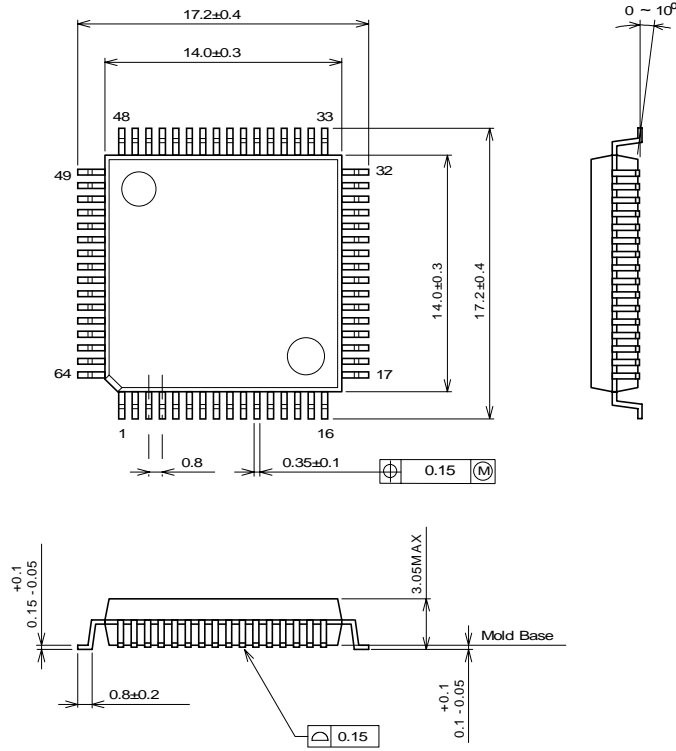


UNIT: mm

UNIT: mm

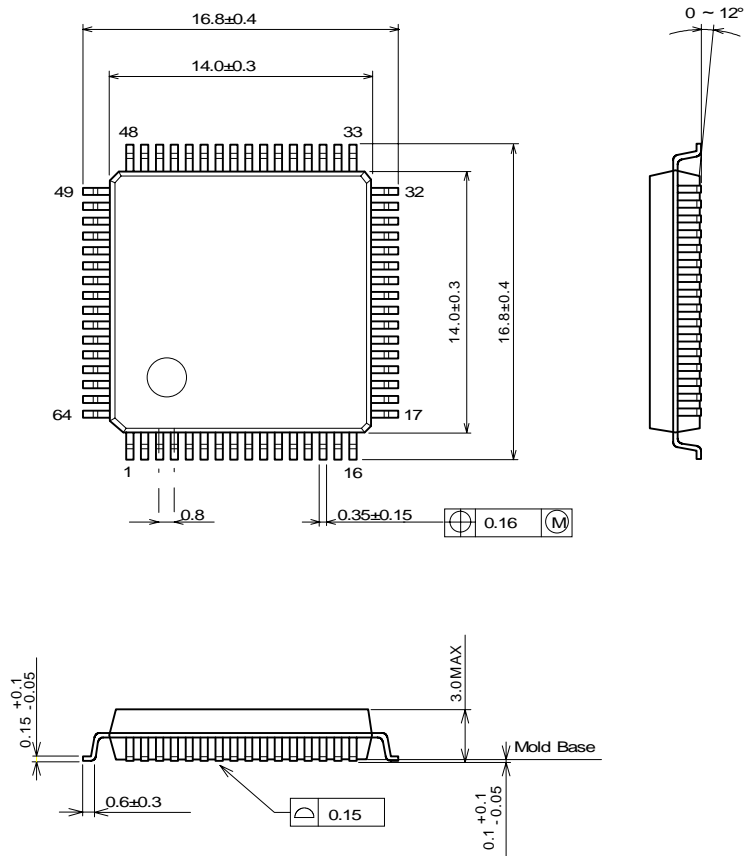
# PACKAGE DIMENSIONS

## QFP64-B2



UNIT: mm

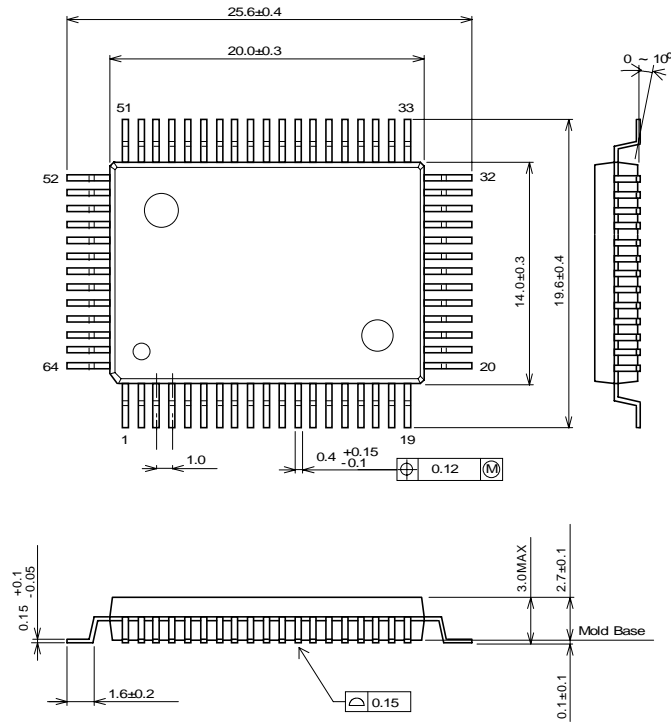
## QFP64-B3



UNIT: mm

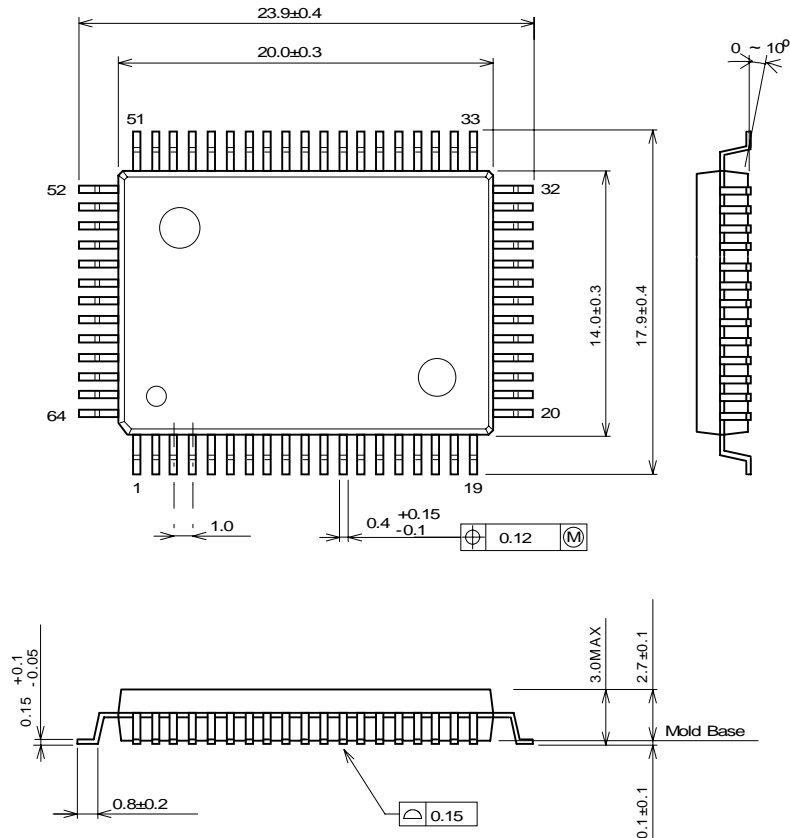
# PACKAGE DIMENSIONS

## QFP64-C1



UNIT: mm

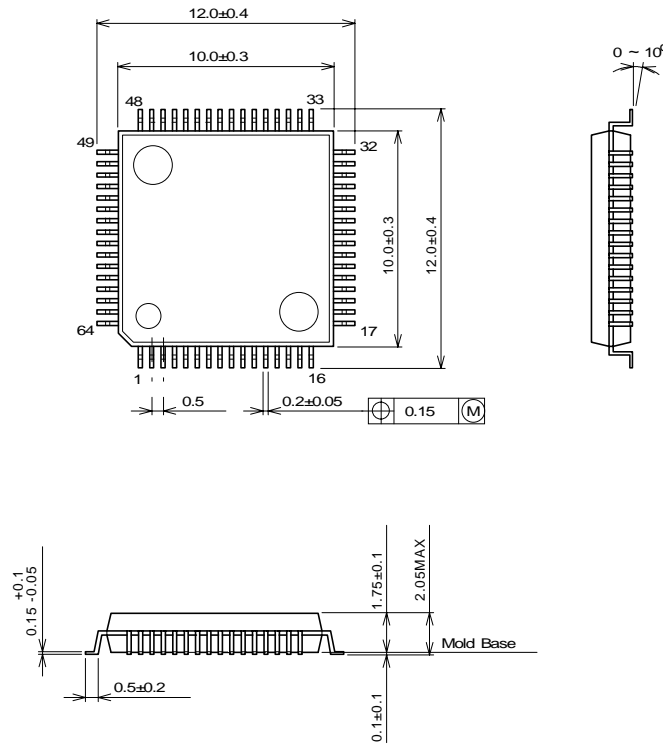
## QFP64-C2



UNIT: mm

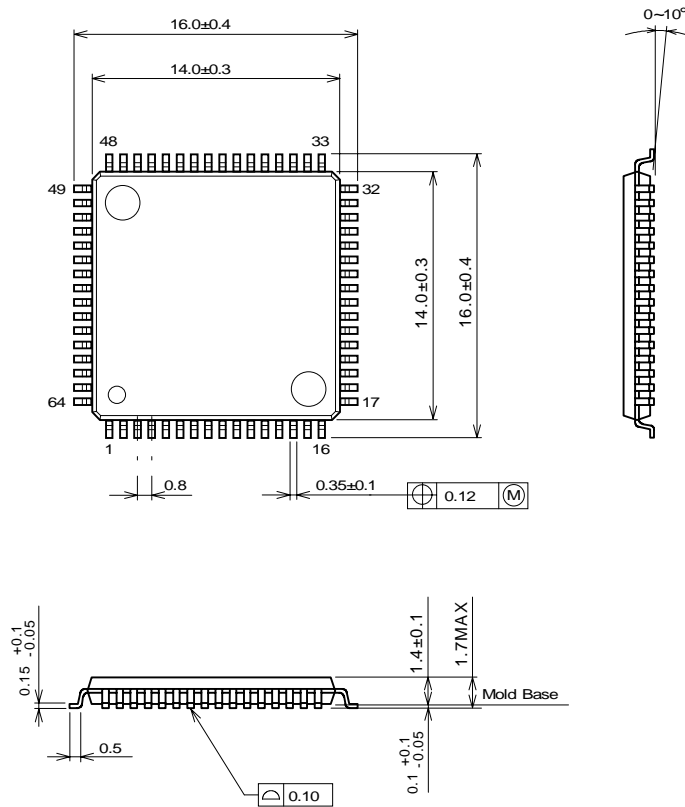
# PACKAGE DIMENSIONS

## QFP64-D1



UNIT: mm

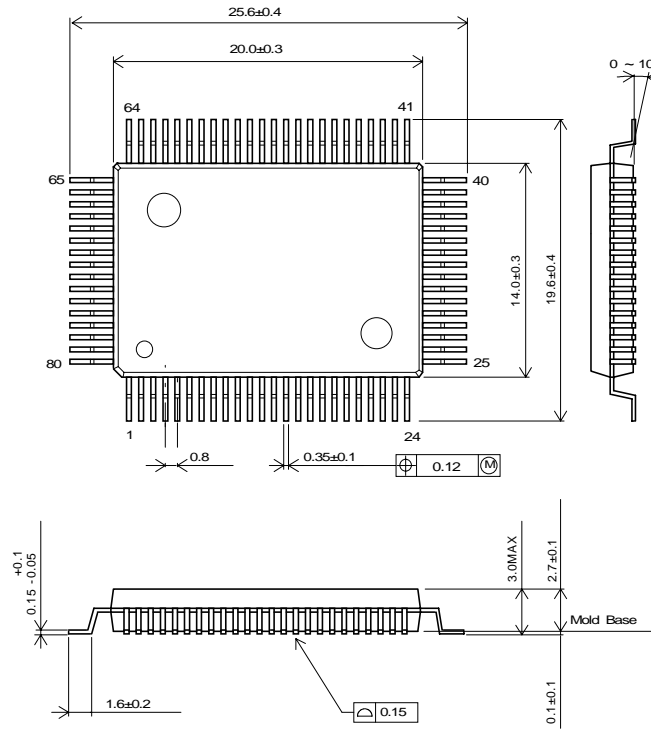
## QFP64-G1



UNIT: mm

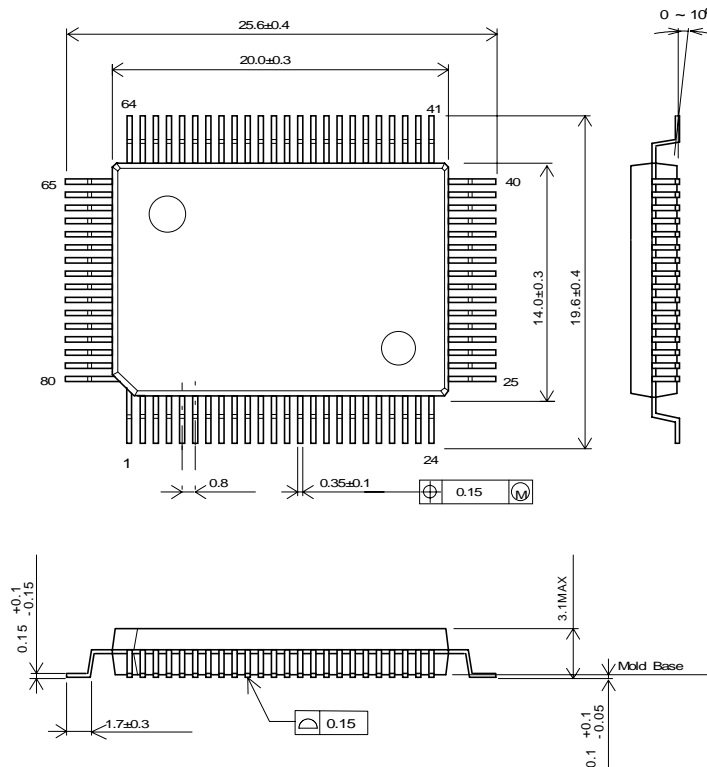
# PACKAGE DIMENSIONS

## QFP80-C1(1)



UNIT: mm

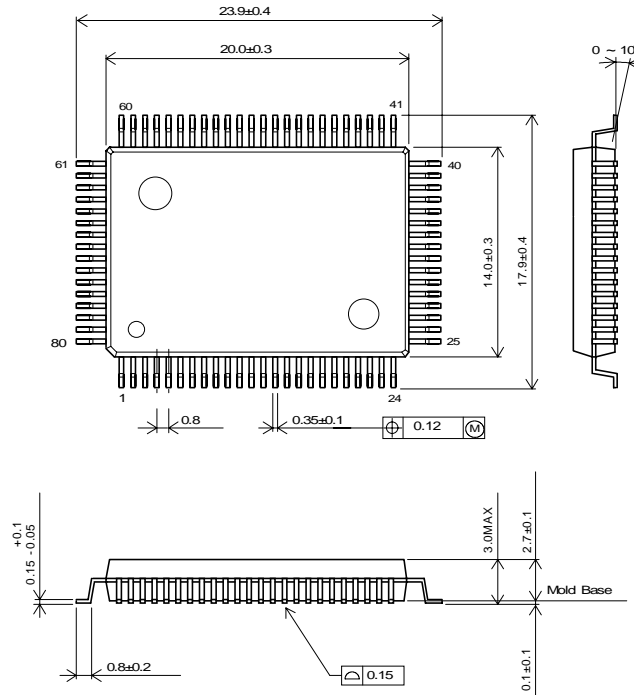
## QFP80-C1(2)



UNIT: mm

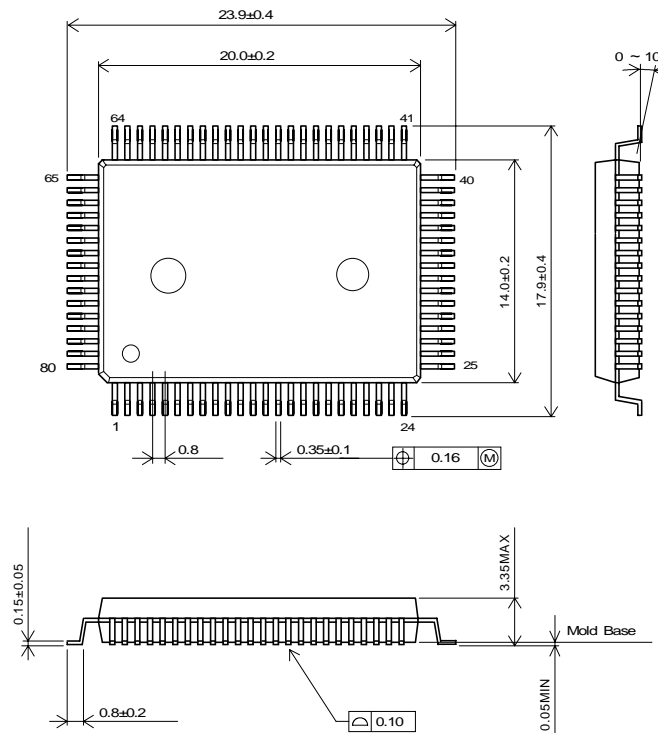
# PACKAGE DIMENSIONS

## QFP80-C2(1)



UNIT: mm

## QFP80-C2(3)

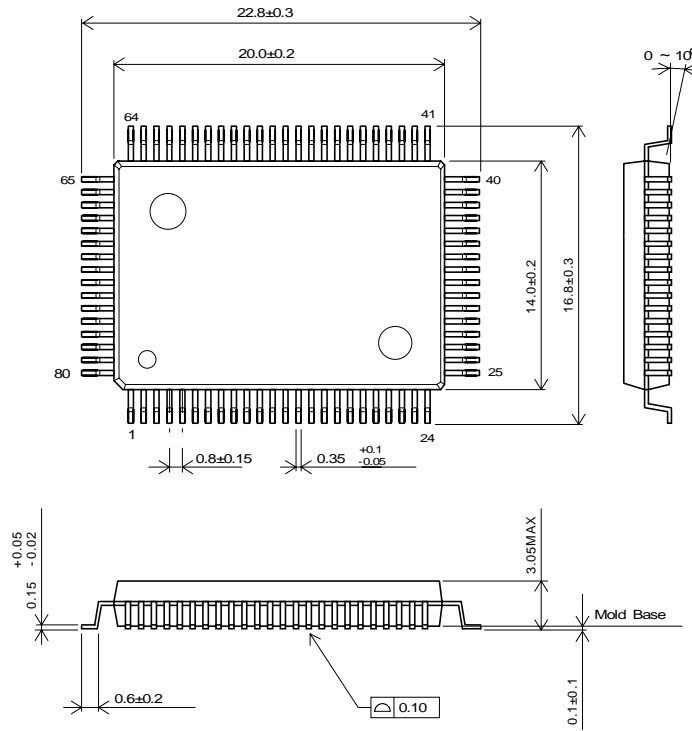


\*This package is applied to only NJU25xxx.

UNIT: mm

# PACKAGE DIMENSIONS

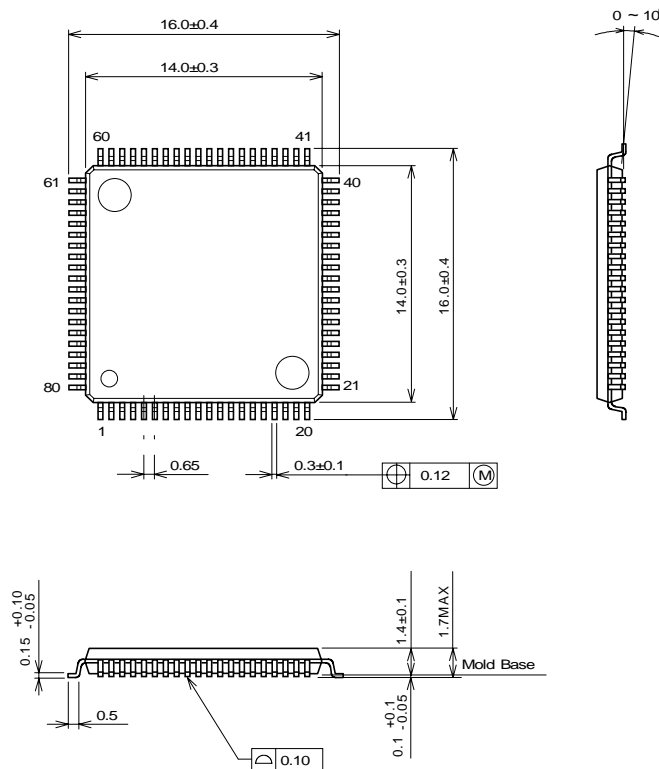
## QFP80-C3



\*This package is applied to only NJW1103.

UNIT: mm

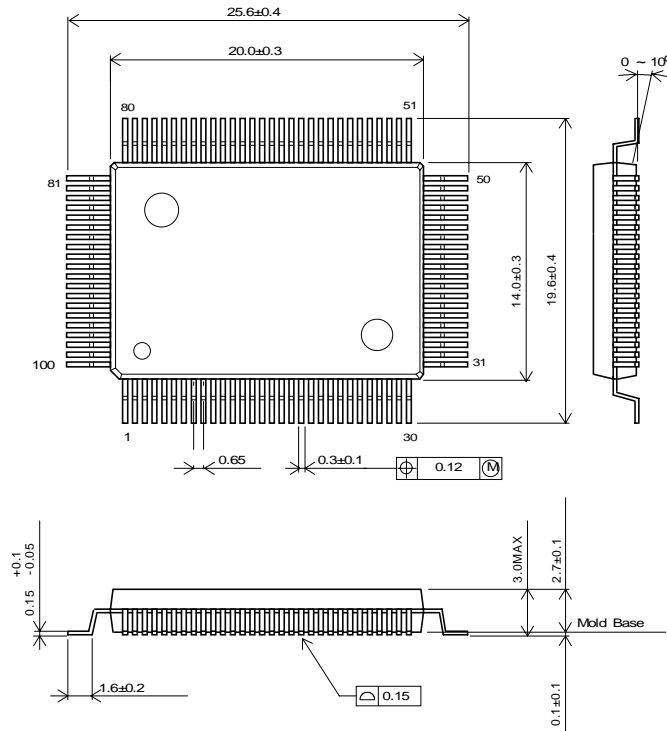
## QFP80-G1



UNIT: mm

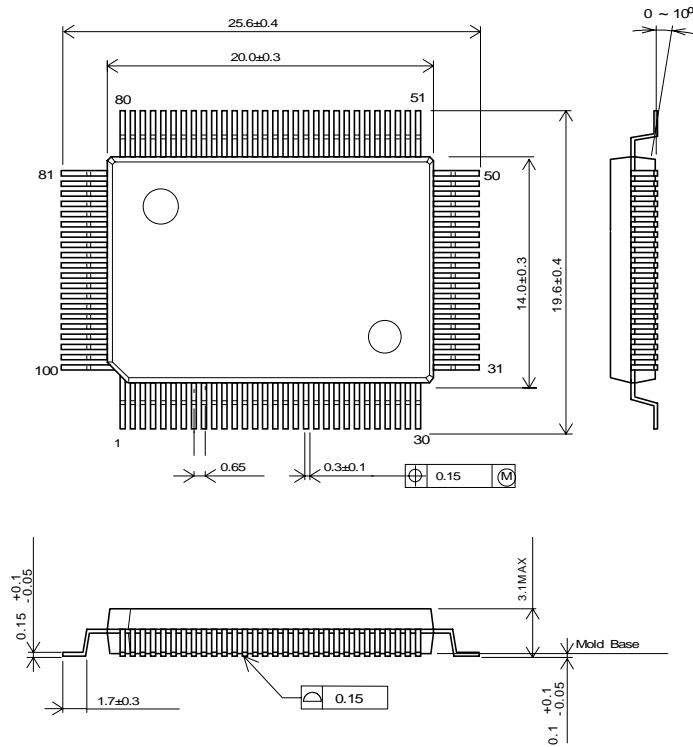
# PACKAGE DIMENSIONS

## QFP100-C1(1)



UNIT: mm

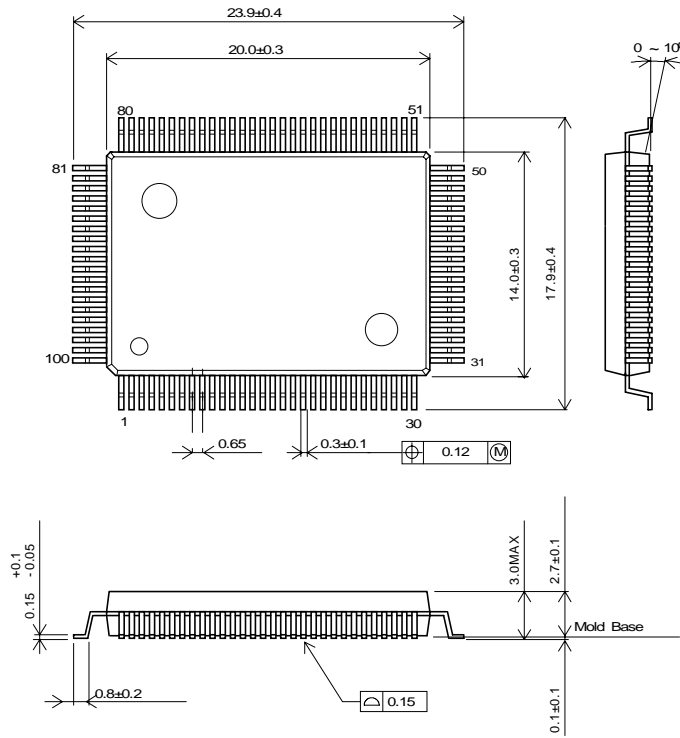
## QFP100-C1(2)



UNIT: mm

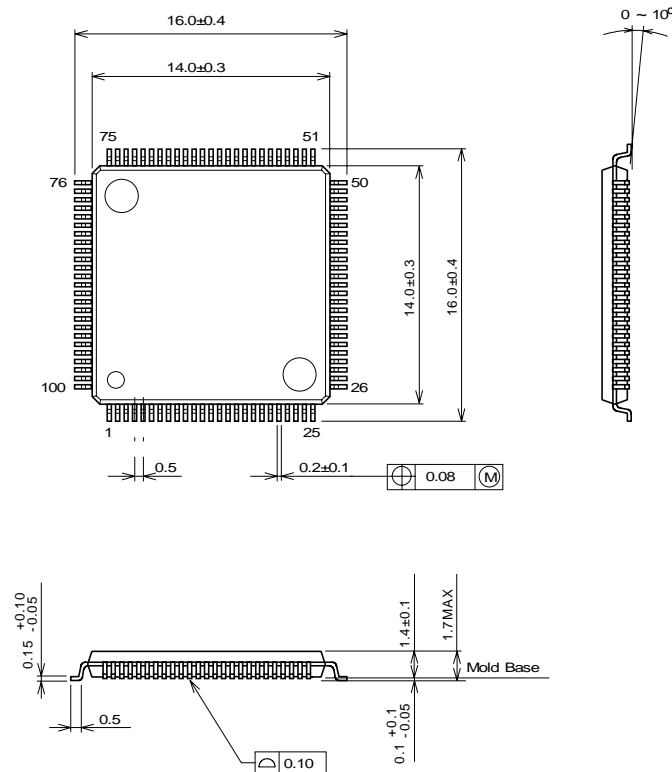
# PACKAGE DIMENSIONS

## QFP100-C2



UNIT: mm

## QFP100-G1



UNIT: mm